

**MARVEL**



**THE ORIGINAL REFRIGERATION EXPERTS SINCE 1892**

# EXPLORE OUR UNDERCOUNTER COLLECTIONS

## Professional Collection

Robust, stainless steel details with industry leading features

## Classic Collection

Signature features in an elegant aesthetic fit for any lifestyle

## Low Profile Collection

Perfect for ADA-height installations and areas with limited space

## Outdoor Collection

The ultimate in outdoor kitchen refrigeration, ice, and dispensing



# PROFESSIONAL COLLECTION

INDUSTRY-LEADING QUALITY



We take pride in our craftsmanship of fully extendable, smooth ball-bearing roller glides and sturdy stainless steel details. Our Professional Collection of products preserve food, wine and beverages the way they were intended and produce high quality ice cubes for the ultimate cocktail experience. This is the Marvel Professional difference.



# MPBD424

## 24" DUAL ZONE BEVERAGE CENTER

### MARVEL PROFESSIONAL COLLECTION



### MAIN FEATURES

- 2.69 cu ft. upper zone can hold up to 112 cans (12-oz), 64 longneck bottles or 2 upright two-liter bottles
- Upper zone features 3-in-1 Glide-Out Convertible Shelf with removable glass pane to convert to wine rack
- 2.3 cu ft. lower zone stores up to 16 wine bottles on 2 smooth-glide wine racks
- Two independently controlled temperature zones
- Dynamic cooling technology delivers rapid cool down, frost-free operation, and temperature stability
- Argon-filled, UV-resistant tinted dual pane glass door options protect contents
- Digital controls allow you to select a temperature for each zone - Upper zone: 33°F to 45°F, Lower zone: 38°F to 65°F (The lower temperature must be equal to or greater than the upper temperature, maximum 20° higher)
- Door ajar and high/low temperature alerts
- Adjustable LED theater-style lighting in arctic white or sapphire blue
- Elegant midnight black interior
- Professional styling: Robust full-length handle and stainless steel accents
- Reversible soft-close door allows for right or left swing
- Door lock provides added security
- Panel ready model requires 3/4" or 5/8" custom panel and handle (not supplied by Marvel)

### FINISH OPTIONS



DOOR STYLE	MODEL NUMBER
Stainless Steel Frame Glass	MPBD424-SG31A
Panel Ready Frame Glass	MPBD424-IG31A
Solid Stainless Steel	MPBD424-SS31A
Solid Panel Ready	MPBD424-IS31A

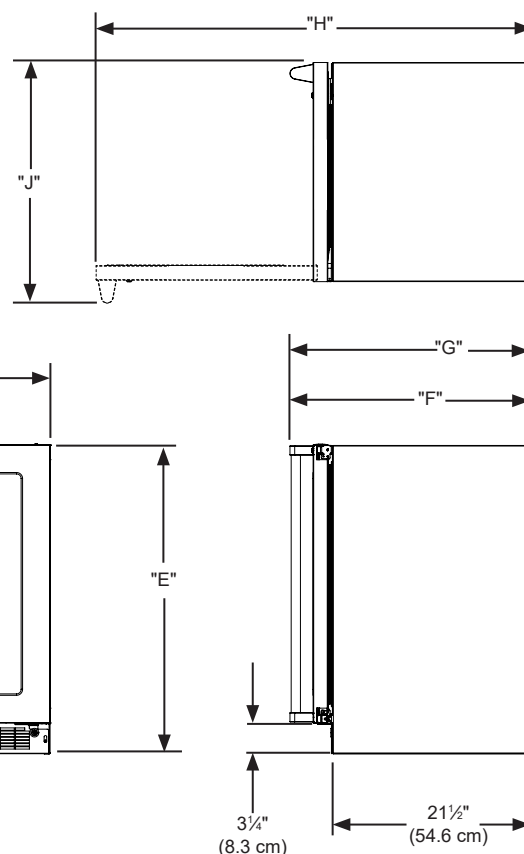
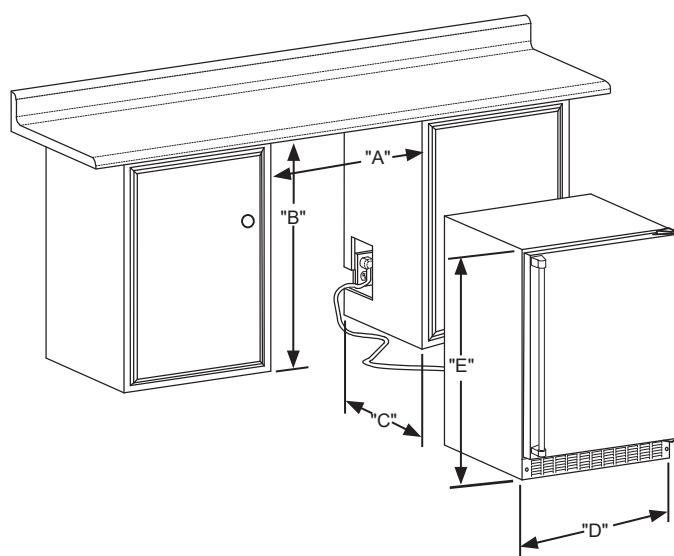
### WARRANTY

- 3-year parts and labor warranty with product registration and 5-year sealed system parts warranty (see complete warranty for details)





## DIMENSIONAL DRAWINGS



### ROUGH IN DIMENSIONS\*

"A"	"B"	"C"
24"	34" to 35"	24"
(61 cm)	(86.4 cm to 88.9 cm)	(61 cm)

### CABINET DIMENSIONS\*

"D"	"E"	"F"	"G"	"H"	"J"
23-7/8"	33-3/4" to 34-3/4"	23-5/8"*	26-1/8"*	47-3/4"*	26-3/8"*
(60.7 cm)	(85.7 cm to 88.3 cm)	(60 cm)	(66.4 cm)	(121.3 cm)	(67 cm)

\*Stainless steel model dimensions only. For panel-ready models, see the owner's guide online at [marvelrefrigeration.com](http://marvelrefrigeration.com).

## PRODUCT SPECIFICATIONS

<b>Capacity</b>	5.0 cu. ft.
<b>Cord Length</b>	6 ft.
<b>Electrical Requirements</b>	115V / 60 Hz / 15A
<b>ENERGY STAR</b>	Yes
<b>Panel Height</b>	30-7/16" (77.3 cm)
<b>Panel Thickness</b>	5/8" (1.6 cm) or 3/4" (1.9 cm)
<b>Panel Type</b>	2-3/4" (7 cm) Frame Panel or Solid Panel
<b>Panel Width</b>	23-5/8" (60 cm)
<b>Refrigerant Type</b>	R600a

<b>Sabbath Mode</b>	Yes
<b>Shipping Dimensions</b>	28" W x 31" D x 37" H
<b>Shipping Weight</b>	160 lbs
<b>Temperature Range</b>	Upper Zone: 33°F to 45°F Lower Zone: 38°F to 65°F

For comprehensive installation instructions, including panel overlay details, please visit [marvelrefrigeration.com](http://marvelrefrigeration.com) to access the owner's guide. All specifications are subject to change without notice.



# MPBV424

## 24" BEVERAGE CENTER

### MARVEL PROFESSIONAL COLLECTION



#### MAIN FEATURES

- 5.5 cu. ft. capacity stores up to 19 wine bottles total (14 flat, 5 cradled) and holds up to 108 cans (12-oz)
- Two 3-in-1 Glide-Out Split Convertible Shelves feature removable glass pane with wine rack option to store beverages, food or wine
- Display wine rack glides out for easy access and holds up to 5 wine bottles, including magnum sizes
- Cantilevered shelving system can hold up to 35 lbs and features 11 adjustable heights
- Dynamic cooling technology delivers rapid cool down, frost-free operation, and temperature stability
- Argon-filled, UV-resistant tinted dual pane glass door options protect contents
- Digital controls allow you to select a temperature from 33°F to 70°F
- Door ajar and high/low temperature alerts
- Adjustable LED theater-style lighting in arctic white or sapphire blue
- Elegant midnight black interior
- Professional styling: Robust full-length handle and stainless steel accents
- Reversible soft-close door allows for right or left swing
- Door lock provides added security
- Panel ready model requires 3/4" or 5/8" custom panel and handle (not supplied by Marvel)

#### WARRANTY

- 3-year parts and labor warranty with product registration and 5-year sealed system parts warranty (see complete warranty for details)

#### FINISH OPTIONS



DOOR STYLE	MODEL NUMBER
Stainless Steel Frame Glass	MPBV424-SG31A
Panel Ready Frame Glass	MPBV424-IG31A
Solid Stainless Steel	MPBV424-SS31A
Solid Panel Ready	MPBV424-IS31A



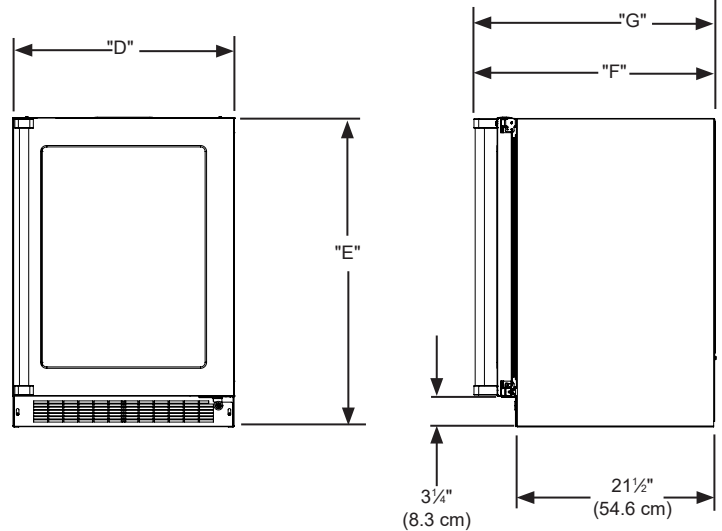
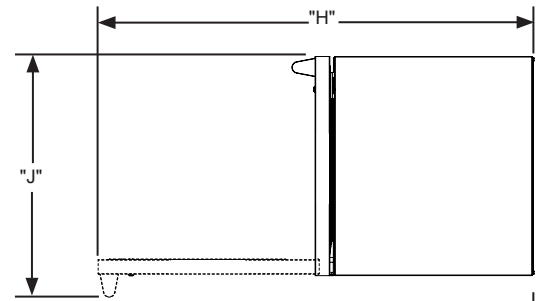
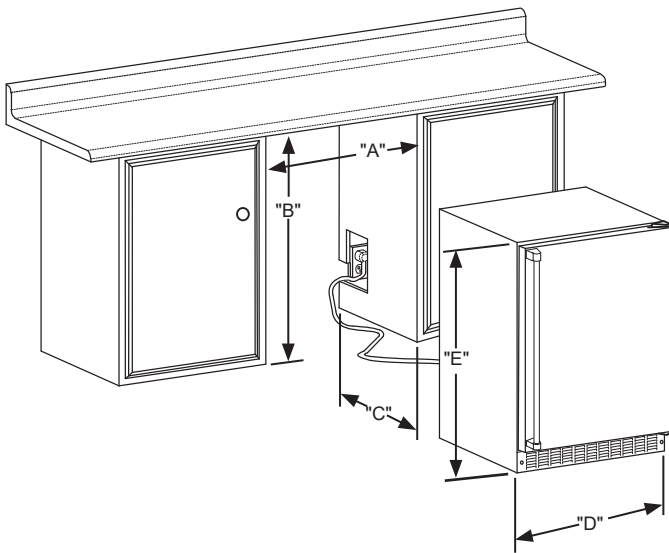


# MPBV424

## 24" BEVERAGE CENTER



### DIMENSIONAL DRAWINGS



#### ROUGH IN DIMENSIONS\*

"A"	"B"	"C"
24"	34" to 35"	24"
(61 cm)	(86.4 cm to 88.9 cm)	(61 cm)

#### CABINET DIMENSIONS\*

"D"	"E"	"F"	"G"	"H"	"J"
23-7/8"	33-3/4" to 34-3/4"	23-5/8"*	26-1/8"*	47-3/4"*	26-3/8"*
(60.7 cm)	(85.7 cm to 88.3 cm)	(60 cm)	(66.4 cm)	(121.3 cm)	(67 cm)

\*Stainless steel model dimensions only. For panel-ready models, see the owner's guide online at [marvelrefrigeration.com](http://marvelrefrigeration.com).

### PRODUCT SPECIFICATIONS

<b>Capacity</b>	5.5 cu. ft.
<b>Cord Length</b>	6 ft.
<b>Electrical Requirements</b>	115V / 60 Hz / 15A
<b>ENERGY STAR</b>	Yes
<b>Panel Height</b>	30-7/16" (77.3 cm)
<b>Panel Thickness</b>	5/8" (1.6 cm) or 3/4" (1.9 cm)
<b>Panel Type</b>	2-3/4" (7 cm) Frame Panel or Solid Panel
<b>Panel Width</b>	23-5/8" (60 cm)
<b>Refrigerant Type</b>	R600a

<b>Sabbath Mode</b>	Yes
<b>Shipping Dimensions</b>	28" W x 31" D x 37" H
<b>Shipping Weight</b>	160 lbs
<b>Temperature Range</b>	33°F to 70°F

For comprehensive installation instructions, including panel overlay details, please visit [marvelrefrigeration.com](http://marvelrefrigeration.com) to access the owner's guide. All specifications are subject to change without notice.



# MPBV415

## 15" BEVERAGE CENTER

### MARVEL PROFESSIONAL COLLECTION



#### MAIN FEATURES

- 2.7 cu ft. capacity stores up to 35 cans (12-oz) or 6 wine bottles
- Two 3-in-1 Glide-Out Split Convertible Shelves feature removable glass pane with wine rack option to store beverages, food or wine
- Cantilevered shelving system can hold up to 35 lbs and features 11 adjustable heights
- Dynamic cooling technology delivers rapid cool down, frost-free operation, and temperature stability
- Argon-filled, UV-resistant tinted dual pane glass door options protect contents
- Digital controls allow you to select a temperature from 33°F to 70°F
- Door ajar and high/low temperature alerts
- Adjustable LED theater-style lighting in arctic white or sapphire blue
- Elegant midnight black interior
- Professional styling: Robust full-length handle and stainless steel accents
- Reversible soft-close door allows for right or left swing
- Door lock provides added security
- Panel ready model requires 3/4" or 5/8" custom panel and handle (not supplied by Marvel)

#### FINISH OPTIONS



DOOR STYLE	MODEL NUMBER
Stainless Steel Frame Glass	MPBV415-SG31A
Panel Ready Frame Glass	MPBV415-IG31A
Solid Stainless Steel	MPBV415-SS31A
Solid Panel Ready	MPBV415-IS31A

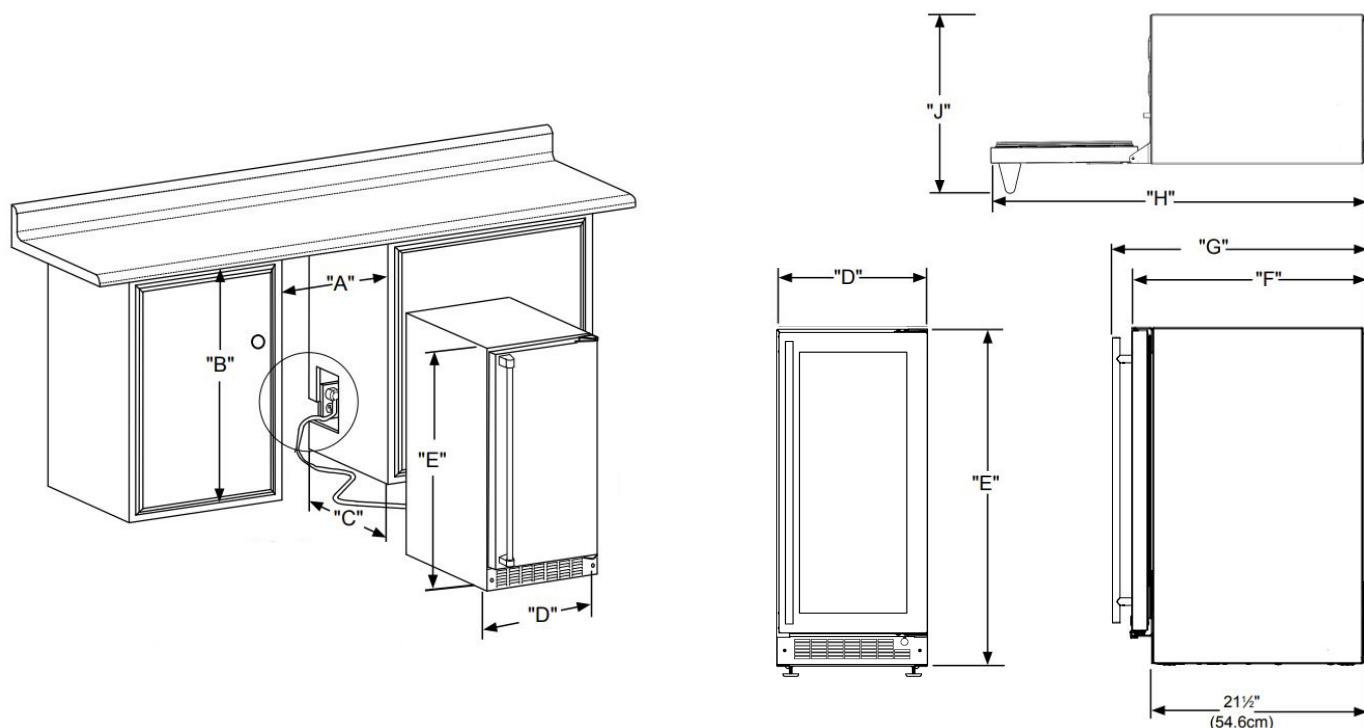
#### WARRANTY

- 3-year parts and labor warranty with product registration and 5-year sealed system parts warranty (see complete warranty for details)





## DIMENSIONAL DRAWINGS



### ROUGH IN DIMENSIONS\*

"A"	"B"	"C"
15"	34" to 35"	24"
(38.1 cm)	(86.4 cm to 88.9 cm)	(61 cm)

### CABINET DIMENSIONS\*

"D"	"E"	"F"	"G"	"H"	"J"
14-7/8"	33-3/4" to 34-3/4"	22-7/8"*	26-3/8"*	38-7/8"*	17-1/2"*
(37.8 cm)	(85.7 cm to 88.3 cm)	(58.1 cm)	(67 cm)	(98.7 cm)	(44.5 cm)

\*Stainless steel model dimensions only. For panel-ready models, see the owner's guide online at [marvelrefrigeration.com](http://marvelrefrigeration.com).

## PRODUCT SPECIFICATIONS

<b>Capacity</b>	2.7 cu. ft
<b>Cord Length</b>	6 ft.
<b>Electrical Requirements</b>	115V / 60 Hz / 15A
<b>ENERGY STAR</b>	Yes
<b>Panel Height</b>	30-7/16" (77.3 cm)
<b>Panel Thickness</b>	5/8" (1.6 cm) or 3/4" (1.9 cm)
<b>Panel Type</b>	2-3/4" (7 cm) Frame Panel or Solid Panel
<b>Panel Width</b>	14-3/4" (37.5 cm)
<b>Refrigerant Type</b>	R600a

<b>Sabbath Mode</b>	Yes
<b>Shipping Dimensions</b>	19" W x 31" D x 37" H
<b>Shipping Weight</b>	125 lbs
<b>Temperature Range</b>	33°F to 70°F

For comprehensive installation instructions, including panel overlay details, please visit [marvelrefrigeration.com](http://marvelrefrigeration.com) to access the owner's guide. All specifications are subject to change without notice.



# MPWD424

## 24" DUAL ZONE WINE REFRIGERATOR

### MARVEL PROFESSIONAL COLLECTION



### MAIN FEATURES

- 4.9 cu ft. capacity stores up to 40 bottles of wine
- Upper zone includes three 8-bottle glide-out wine racks
- Lower zone includes one 8-bottle glide-out wine rack and two 4-bottle glide out wine racks
- Vibration neutralization system protects wine from agitation
- Two independently controlled temperature zones
- Dynamic cooling technology delivers rapid cool down, frost-free operation, and temperature stability
- Argon-filled, UV-resistant tinted dual pane glass door options protect contents
- Digital controls allow you to select a temperature for each zone - Upper zone: 38°F to 65°F, Lower zone: 38°F to 65°F (The lower temperature must be equal to or greater than the upper temperature, maximum 20° higher)
- Door ajar and high/low temperature alerts
- Adjustable LED theater-style lighting in arctic white or sapphire blue
- Elegant midnight black interior
- Professional styling: Robust full-length handle and stainless steel accents
- Reversible soft-close door allows for right or left swing
- Door lock provides added security
- Panel ready model requires 3/4" or 5/8" custom panel and handle (not supplied by Marvel)

### FINISH OPTIONS



DOOR STYLE	MODEL NUMBER
Stainless Steel Frame Glass	MPWD424-SG31A
Panel Ready Frame Glass	MPWD424-IG31A
Solid Stainless Steel	MPWD424-SS31A
Solid Panel Ready	MPWD424-IS31A

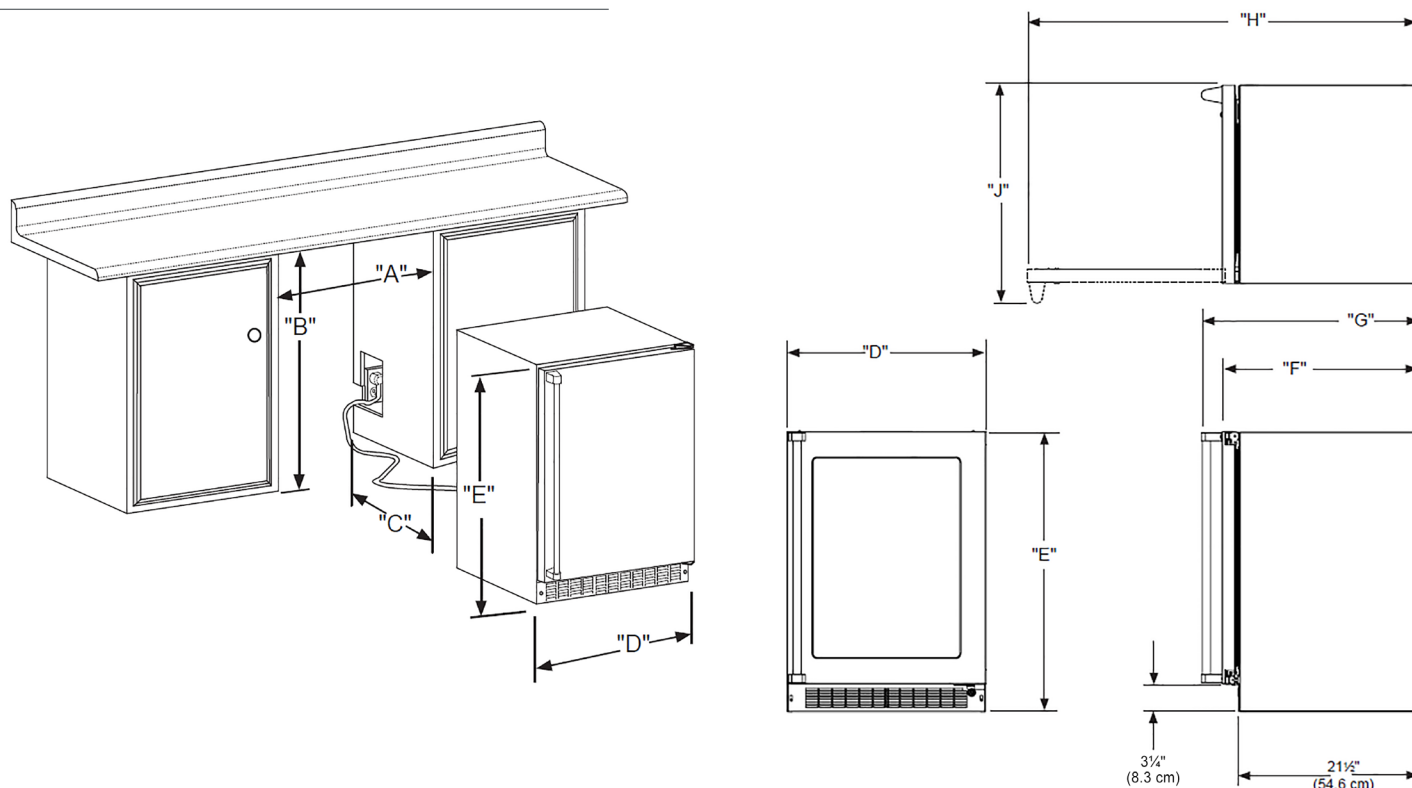
### WARRANTY

- 3-year parts and labor warranty with product registration and 5-year sealed system parts warranty (see complete warranty for details)





## DIMENSIONAL DRAWINGS



### ROUGH IN DIMENSIONS\*

"A"	"B"	"C"
24"	34" to 35"	24"
(61 cm)	(86.4 cm to 88.9 cm)	(61 cm)

### CABINET DIMENSIONS\*

"D"	"E"	"F"	"G"	"H"	"J"
23-7/8"	33-3/4" to 34-3/4"	23-5/8"*	26-1/8"*	47-3/4"*	26-3/8"*
(60.7 cm)	(85.7 cm to 88.3 cm)	(60 cm)	(66.4 cm)	(121.3 cm)	(67 cm)

\*Stainless steel model dimensions only. For panel-ready models, see the owner's guide online at [marvelrefrigeration.com](http://marvelrefrigeration.com).

## PRODUCT SPECIFICATIONS

<b>Capacity</b>	4.9 cu. ft.
<b>Cord Length</b>	6 ft.
<b>Electrical Requirements</b>	115V / 60 Hz / 15A
<b>ENERGY STAR</b>	No
<b>Panel Height</b>	30-7/16" (77.3 cm)
<b>Panel Thickness</b>	5/8" (1.6 cm) or 3/4" (1.9 cm)
<b>Panel Type</b>	2-3/4" (7 cm) Frame Panel or Solid Panel
<b>Panel Width</b>	23-5/8" (60 cm)
<b>Refrigerant Type</b>	R600a

<b>Sabbath Mode</b>	Yes
<b>Shipping Dimensions</b>	28" W x 31" D x 37" H
<b>Shipping Weight</b>	160 lbs
<b>Temperature Range</b>	Upper Zone: 38°F to 65°F Lower Zone: 38°F to 65°F

For comprehensive installation instructions, including panel overlay details, please visit [marvelrefrigeration.com](http://marvelrefrigeration.com) to access the owner's guide. All specifications are subject to change without notice.



# MPWC424

## 24" WINE REFRIGERATOR

### MARVEL PROFESSIONAL COLLECTION



#### MAIN FEATURES

- 5.2 cu ft. capacity stores up to 48 bottles of wine
- Five 8-bottle glide-out wine racks
- Two 4-bottle half-depth wine racks
- Vibration neutralization system protects wine from agitation
- Dynamic cooling technology delivers rapid cool down, frost-free operation, and temperature stability
- Argon-filled, UV-resistant tinted dual pane glass door options protect contents
- Digital controls allow you to select a temperature from 33°F to 70°F
- Door ajar and high/low temperature alerts
- Adjustable LED theater-style lighting in arctic white or sapphire blue
- Elegant midnight black interior
- Professional styling: Robust full-length handle and stainless steel accents
- Reversible soft-close door allows for right or left swing
- Door lock provides added security
- Panel ready model requires 3/4" or 5/8" custom panel and handle (not supplied by Marvel)

#### WARRANTY

- 3-year parts and labor warranty with product registration and 5-year sealed system parts warranty (see complete warranty for details)

#### FINISH OPTIONS

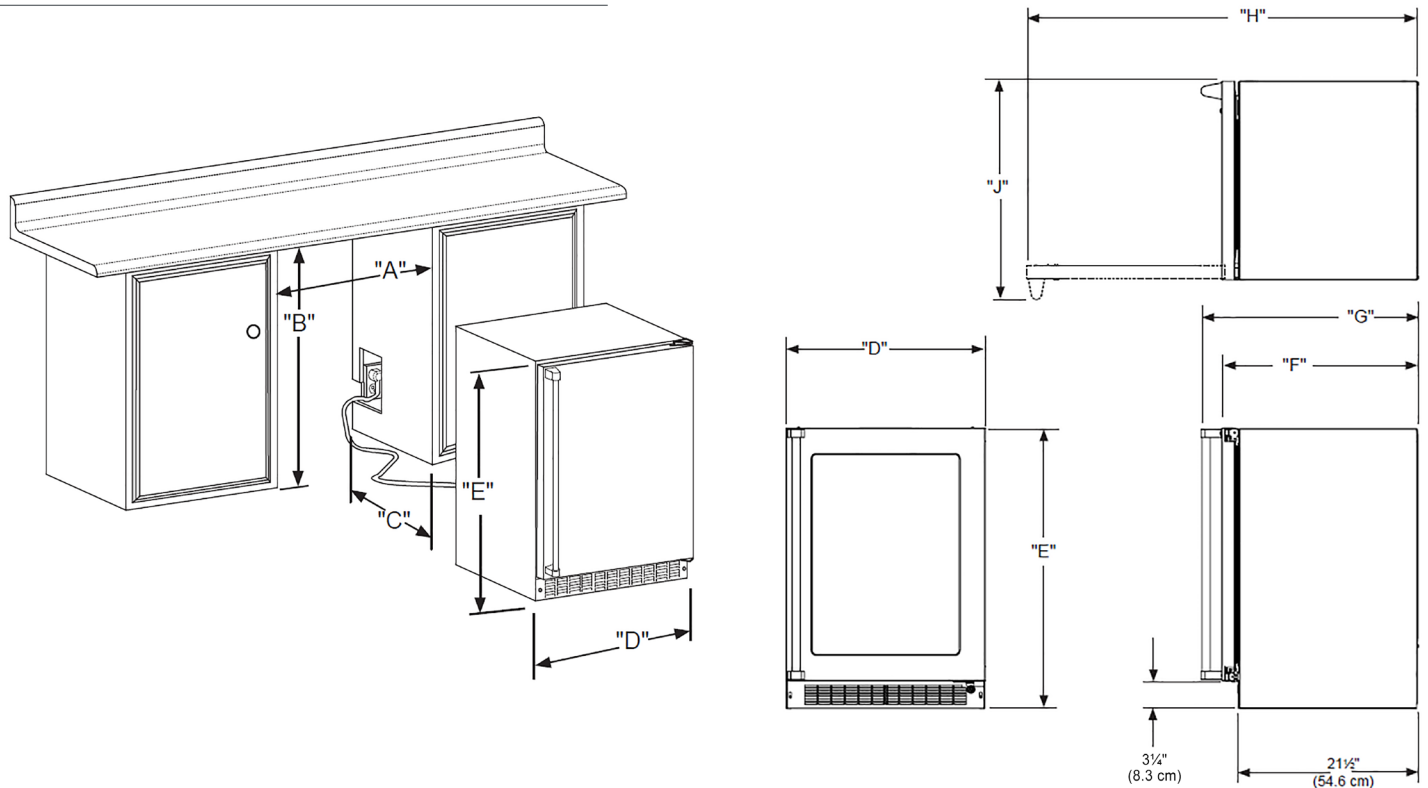


DOOR STYLE	MODEL NUMBER
Stainless Steel Frame Glass	MPWC424-SG31A
Panel Ready Frame Glass	MPWC424-IG31A
Solid Stainless Steel	MPWC424-SS31A
Solid Panel Ready	MPWC424-IS31A





## DIMENSIONAL DRAWINGS



### ROUGH IN DIMENSIONS\*

"A"	"B"	"C"
24"	34" to 35"	24"
(61 cm)	(86.4 cm to 88.9 cm)	(61 cm)

### CABINET DIMENSIONS\*

"D"	"E"	"F"	"G"	"H"	"J"
23-7/8"	33-3/4" to 34-3/4"	23-5/8"*	26-1/8"*	47-3/4"*	26-3/8"*
(60.7 cm)	(85.7 cm to 88.3 cm)	(60 cm)	(66.4 cm)	(121.3 cm)	(67 cm)

\*Stainless steel model dimensions only. For panel-ready models, see the owner's guide online at [marvelrefrigeration.com](http://marvelrefrigeration.com).

## PRODUCT SPECIFICATIONS

<b>Capacity</b>	5.2 cu. ft.
<b>Cord Length</b>	6 ft.
<b>Electrical Requirements</b>	115V / 60 Hz / 15A
<b>ENERGY STAR</b>	Yes
<b>Panel Height</b>	30-7/16" (77.3 cm)
<b>Panel Thickness</b>	5/8" (1.6 cm) or 3/4" (1.9 cm)
<b>Panel Type</b>	2-3/4" (7 cm) Frame Panel or Solid Panel
<b>Panel Width</b>	23-5/8" (60 cm)
<b>Refrigerant Type</b>	R600a

<b>Sabbath Mode</b>	Yes
<b>Shipping Dimensions</b>	28" W x 31" D x 37" H
<b>Shipping Weight</b>	160 lbs
<b>Temperature Range</b>	33°F to 70°F

For comprehensive installation instructions, including panel overlay details, please visit [marvelrefrigeration.com](http://marvelrefrigeration.com) to access the owner's guide. All specifications are subject to change without notice.



# MPWC415

## 15" WINE REFRIGERATOR



### MARVEL PROFESSIONAL COLLECTION

#### MAIN FEATURES

- 2.7 cu ft. capacity stores up to 24 bottles of wine on six 4-bottle glide-out wine racks
- Vibration neutralization system protects wine from agitation
- Dynamic cooling technology delivers rapid cool down, frost-free operation, and temperature stability
- Argon-filled, UV-resistant tinted dual pane glass door options protect contents
- Digital controls allow you to select a temperature from 33°F to 70°F
- Door ajar and high/low temperature alerts
- Adjustable LED theater-style lighting in arctic white or sapphire blue
- Elegant midnight black interior
- Professional styling: Robust full-length handle and stainless steel accents
- Reversible soft-close door allows for right or left swing
- Door lock provides added security
- Panel ready model requires 3/4" or 5/8" custom panel and handle (not supplied by Marvel)

#### WARRANTY

- 3-year parts and labor warranty with product registration and 5-year sealed system parts warranty (see complete warranty for details)

#### FINISH OPTIONS



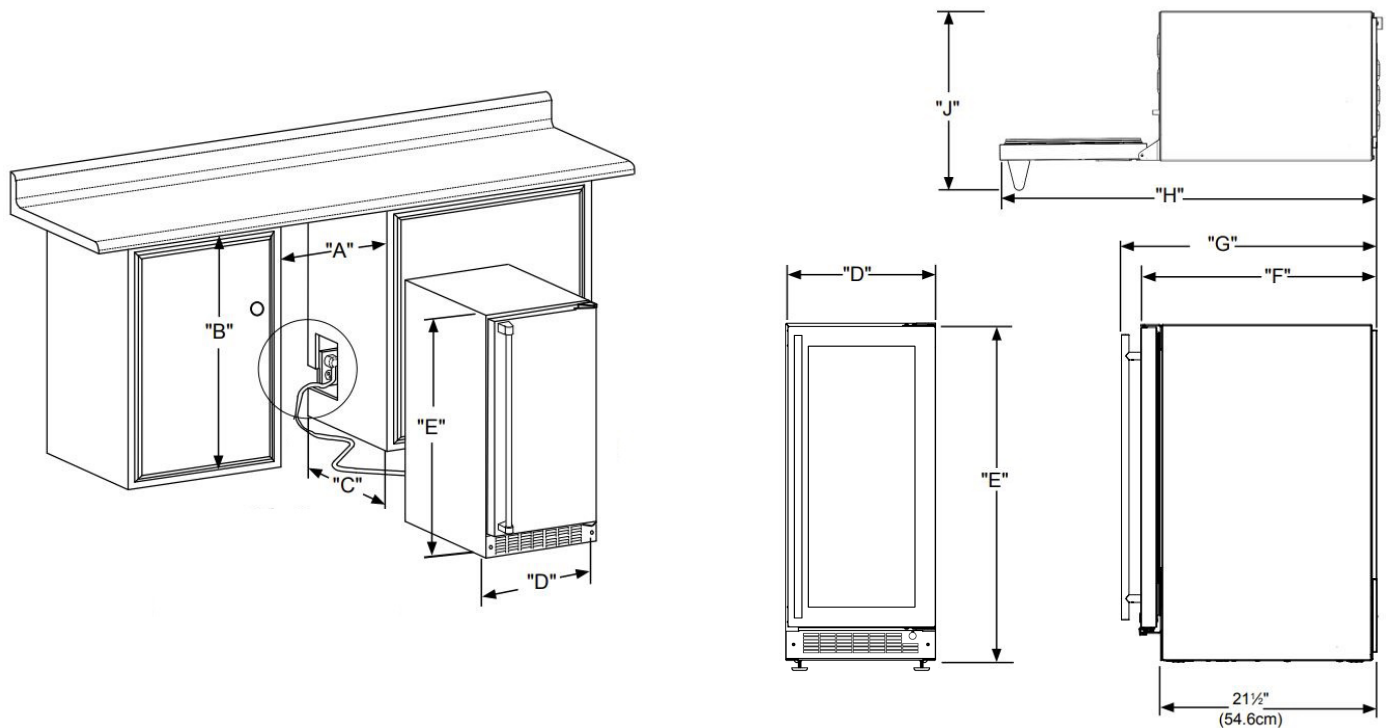
DOOR STYLE	MODEL NUMBER
Stainless Steel Frame Glass	MPWC415-SG31A
Panel Ready Frame Glass	MPWC415-IG31A
Solid Stainless Steel	MPWC415-SS31A
Solid Panel Ready	MPWC415-IS31A







**DIMENSIONAL DRAWINGS**



**ROUGH IN DIMENSIONS\***

"A"	"B"	"C"
15"	34" to 35"	24"
(38.1 cm)	(86.4 cm to 88.9 cm)	(61 cm)

**CABINET DIMENSIONS\***

"D"	"E"	"F"	"G"	"H"	"J"
14-7/8"	33-3/4" to 34-3/4"	22-7/8"*	26-3/8"*	38-7/8"*	17-1/2"*
(37.8 cm)	(85.7 cm to 88.3 cm)	(58.1 cm)	(67 cm)	(98.7 cm)	(44.5 cm)

\*Stainless steel model dimensions only. For panel-ready models, see the owner's guide online at [marvelrefrigeration.com](http://marvelrefrigeration.com).

**PRODUCT SPECIFICATIONS**

<b>Capacity</b>	2.7 cu. ft.
<b>Cord Length</b>	6 ft.
<b>Electrical Requirements</b>	115V / 60 Hz / 15A
<b>ENERGY STAR</b>	Yes
<b>Panel Height</b>	30-7/16" (77.3 cm)
<b>Panel Thickness</b>	5/8" (1.6 cm) or 3/4" (1.9 cm)
<b>Panel Type</b>	2-3/4" (7 cm) Frame Panel or Solid Panel
<b>Panel Width</b>	14-3/4" (37.5 cm)
<b>Refrigerant Type</b>	R600a

<b>Sabbath Mode</b>	Yes
<b>Shipping Dimensions</b>	19" W x 31" D x 37" H
<b>Shipping Weight</b>	125 lbs
<b>Temperature Range</b>	33°F to 70°F

For comprehensive installation instructions, including panel overlay details, please visit [marvelrefrigeration.com](http://marvelrefrigeration.com) to access the owner's guide. All specifications are subject to change without notice.



# MPRE424

## 24" REFRIGERATOR



BrightShield protects against viruses, bacteria, mold and mildew.



### MARVEL PROFESSIONAL COLLECTION

#### MAIN FEATURES

- Models with BrightShield™ antimicrobial lighting create a more hygienic environment for foods and beverages
- 5.5 cu ft. capacity stores up to 20 wine bottles or 162 cans (12-oz)
- Upper zone features 3-in-1 Glide-Out Convertible Shelf with removable glass pane to convert to wine rack
- Half-width shelf allows for tall item storage
- Cantilevered shelving system can hold up to 35 lbs and features 11 adjustable heights
- MaxStore bin stores loose items
- Dynamic cooling technology delivers rapid cool down, frost-free operation, and temperature stability
- Argon-filled, UV-resistant tinted dual pane glass door options protect contents
- Digital controls allow you to select a temperature from 33°F to 70°F
- Door ajar and high/low temperature alerts
- Adjustable LED theater-style lighting in arctic white or sapphire blue (non-BrightShield models)
- Elegant midnight black interior
- Professional styling: Robust full-length handle and stainless steel accents
- Reversible soft-close door allows for right or left swing
- Door lock provides added security
- Panel ready model requires 3/4" or 5/8" custom panel and handle (not supplied by Marvel)

#### FINISH OPTIONS



DOOR STYLE	MODEL NUMBER
Stainless Steel Frame Glass	MPRE424-SG31A
Panel Ready Frame Glass	MPRE424-IG31A
Solid Stainless Steel	MPRE424-SS31A
Solid Panel Ready	MPRE424-IS31A

BRIGHTSHIELD™ MODELS	MODEL NUMBER
Stainless Steel Frame Glass	MPRE424-SG81A
Panel Ready Frame Glass	MPRE424-IG81A
Solid Stainless Steel	MPRE424-SS81A
Solid Panel Ready	MPRE424-IS81A

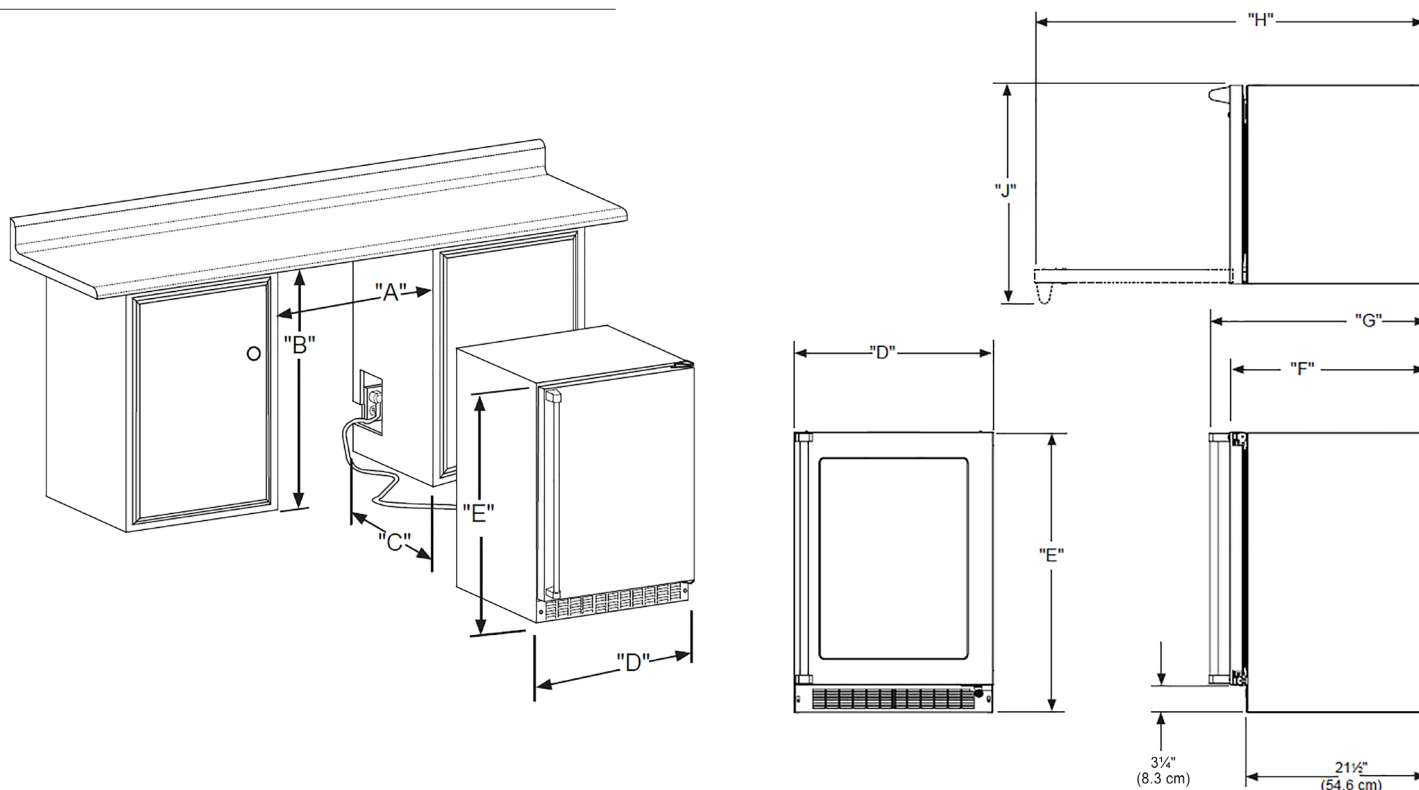
#### WARRANTY

- 3-year parts and labor warranty with product registration and 5-year sealed system parts warranty (see complete warranty for details)





## DIMENSIONAL DRAWINGS



### ROUGH IN DIMENSIONS\*

"A"	"B"	"C"
24"	34" to 35"	24"
(61 cm)	(86.4 cm to 88.9 cm)	(61 cm)

### CABINET DIMENSIONS\*

"D"	"E"	"F"	"G"	"H"	"J"
23-7/8"	33-3/4" to 34-3/4"	23-5/8"*	26-1/8"*	47-3/4"*	26-3/8"*
(60.7 cm)	(85.7 cm to 88.3 cm)	(60 cm)	(66.4 cm)	(121.3 cm)	(67 cm)

\*Stainless steel model dimensions only. For panel-ready models, see the owner's guide online at [marvelrefrigeration.com](http://marvelrefrigeration.com).

## PRODUCT SPECIFICATIONS

<b>Capacity</b>	5.5 cu. ft.
<b>Cord Length</b>	6 ft.
<b>Electrical Requirements</b>	115V / 60 Hz / 15A
<b>ENERGY STAR</b>	Yes
<b>Panel Height</b>	30-7/16" (77.3 cm)
<b>Panel Thickness</b>	5/8" (1.6 cm) or 3/4" (1.9 cm)
<b>Panel Type</b>	2-3/4" (7 cm) Frame Panel or Solid Panel
<b>Panel Width</b>	23-5/8" (60 cm)
<b>Refrigerant Type</b>	R600a

<b>Sabbath Mode</b>	Yes
<b>Shipping Dimensions</b>	28" W x 31" D x 37" H
<b>Shipping Weight</b>	160 lbs
<b>Temperature Range</b>	33°F to 70°F

For comprehensive installation instructions, including panel overlay details, please visit [marvelrefrigeration.com](http://marvelrefrigeration.com) to access the owner's guide. All specifications are subject to change without notice.



# MPDR424

## 24" REFRIGERATED DRAWERS

### MARVEL PROFESSIONAL COLLECTION



### MAIN FEATURES

- 5.0 cu ft. capacity stores up to 108 cans (12-oz)
- Adjustable divider included in both drawers to prevent contents from sliding
- Dynamic cooling technology delivers rapid cool down, frost-free operation, and temperature stability
- Digital controls allow you to select a temperature from 33°F to 70°F
- Door ajar and high/low temperature alerts
- Adjustable LED theater-style lighting in arctic white or sapphire blue
- Stainless steel interior
- Professional styling: Robust full-length handle and stainless steel accents
- Door lock provides added security
- Panel ready model requires 3/4" or 5/8" custom panel and handle (not supplied by Marvel)

### WARRANTY

- 3-year parts and labor warranty with product registration and 5-year sealed system parts warranty (see complete warranty for details)

### FINISH OPTIONS



#### DOOR STYLE

Solid Stainless Steel

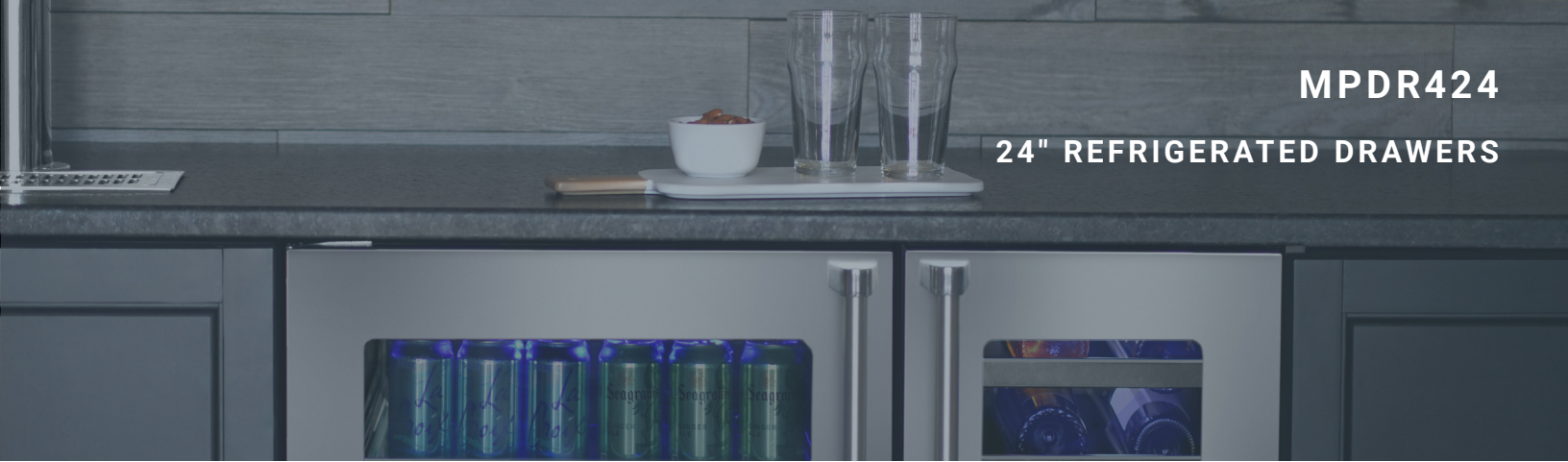
Solid Panel Ready

#### MODEL NUMBER

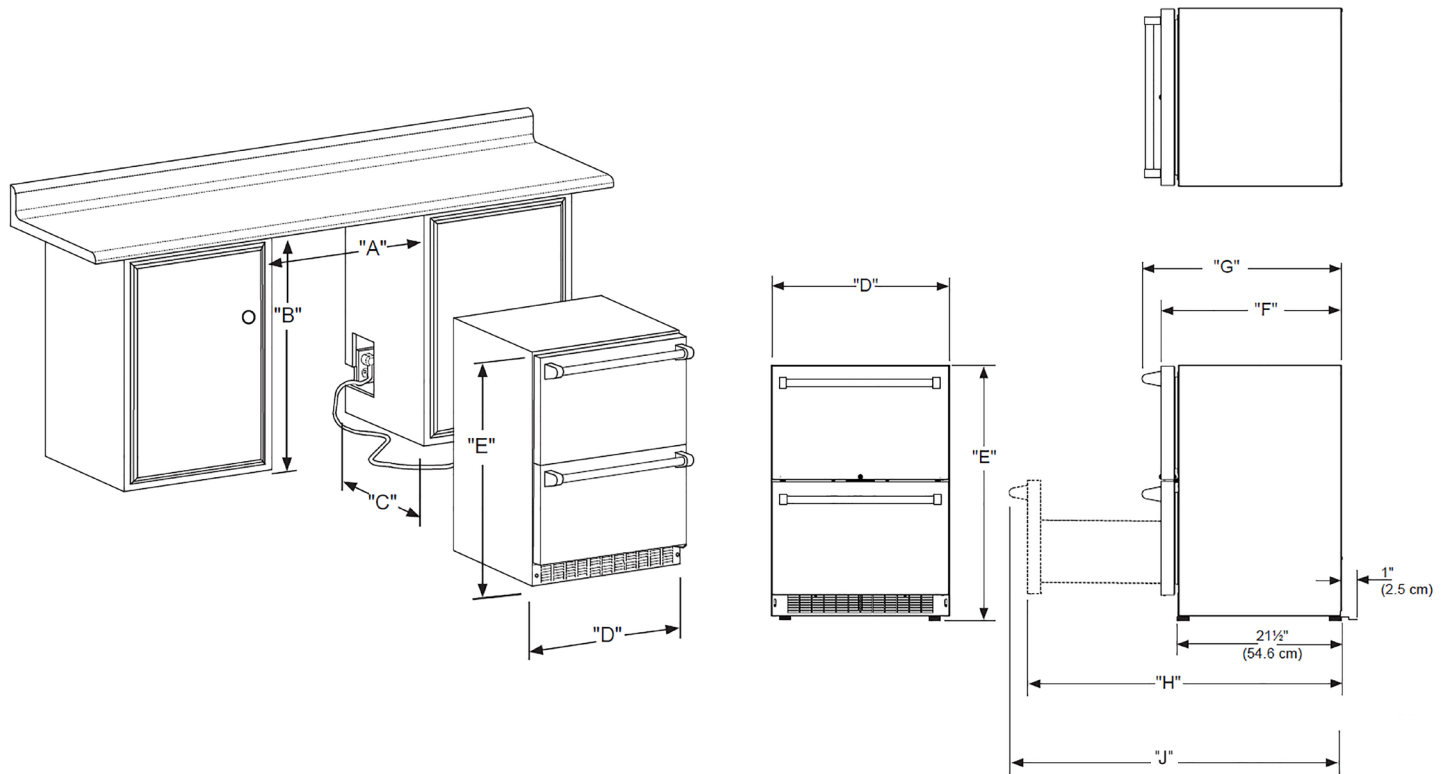
MPDR424-SS71A

MPDR424-IS71A





**DIMENSIONAL DRAWINGS**



**ROUGH IN DIMENSIONS\***

"A"	"B"	"C"
24"	34" to 35"	24"
(61 cm)	(86.4 cm to 88.9 cm)	(61 cm)

**CABINET DIMENSIONS\***

"D"	"E"	"F"	"G"	"H"	"J"
23-7/8"	33-3/4" to 34-3/4"	23-5/8"*	26-1/8"*	39-3/16"*	41-11/16"*
(60.7 cm)	(85.7 cm to 88.3 cm)	(60 cm)	(66.4 cm)	(99.5cm)	(67 cm)

\*Stainless steel model dimensions only. For panel-ready models, see the owner's guide online at [marvelrefrigeration.com](http://marvelrefrigeration.com).

**PRODUCT SPECIFICATIONS**

<b>Capacity</b>	5.0 cu. ft.
<b>Cord Length</b>	6 ft.
<b>Electrical Requirements</b>	115V / 60 Hz / 15A
<b>ENERGY STAR</b>	Yes
<b>Panel Height</b>	14-15/16" (37.9 cm)
<b>Panel Thickness</b>	5/8" (1.6 cm) or 3/4" (1.9 cm)
<b>Panel Type</b>	2-3/4" (7 cm) Solid Panel
<b>Panel Width</b>	23-5/8" (60 cm)
<b>Refrigerant Type</b>	R600a

<b>Sabbath Mode</b>	Yes
<b>Shipping Dimensions</b>	28" W x 31" D x 37" H
<b>Shipping Weight</b>	180 lbs
<b>Temperature Range</b>	33°F to 70°F

For comprehensive installation instructions, including panel overlay details, please visit [marvelrefrigeration.com](http://marvelrefrigeration.com) to access the owner's guide. All specifications are subject to change without notice.



# MPRF424

## 24" REFRIGERATOR-FREEZER

### MARVEL PROFESSIONAL COLLECTION



#### MAIN FEATURES

- 3.9 cu ft. capacity stores up to 72 cans (12-oz)
- 1 cu ft. freezer can store up to 12 pints of ice cream
- 2 half-width cantilevered shelves and 1 full-width fixed shelf
- Dynamic cooling technology delivers rapid cool down, frost-free operation, and temperature stability
- Digital controls allow you to select a temperature for both the refrigerator and the freezer - Refrigerator: 34°F to 42°F, Freezer: 0°F to 5°F
- Door ajar and high/low temperature alerts
- Adjustable LED theater-style lighting in arctic white or sapphire blue
- Elegant midnight black interior
- Professional styling: Robust full-length handle and stainless steel accents
- Reversible soft-close door allows for right or left swing
- Door lock provides added security
- Panel ready model requires 3/4" or 5/8" custom panel and handle (not supplied by Marvel)

#### WARRANTY

- 3-year parts and labor warranty with product registration and 5-year sealed system parts warranty (see complete warranty for details)

#### FINISH OPTIONS

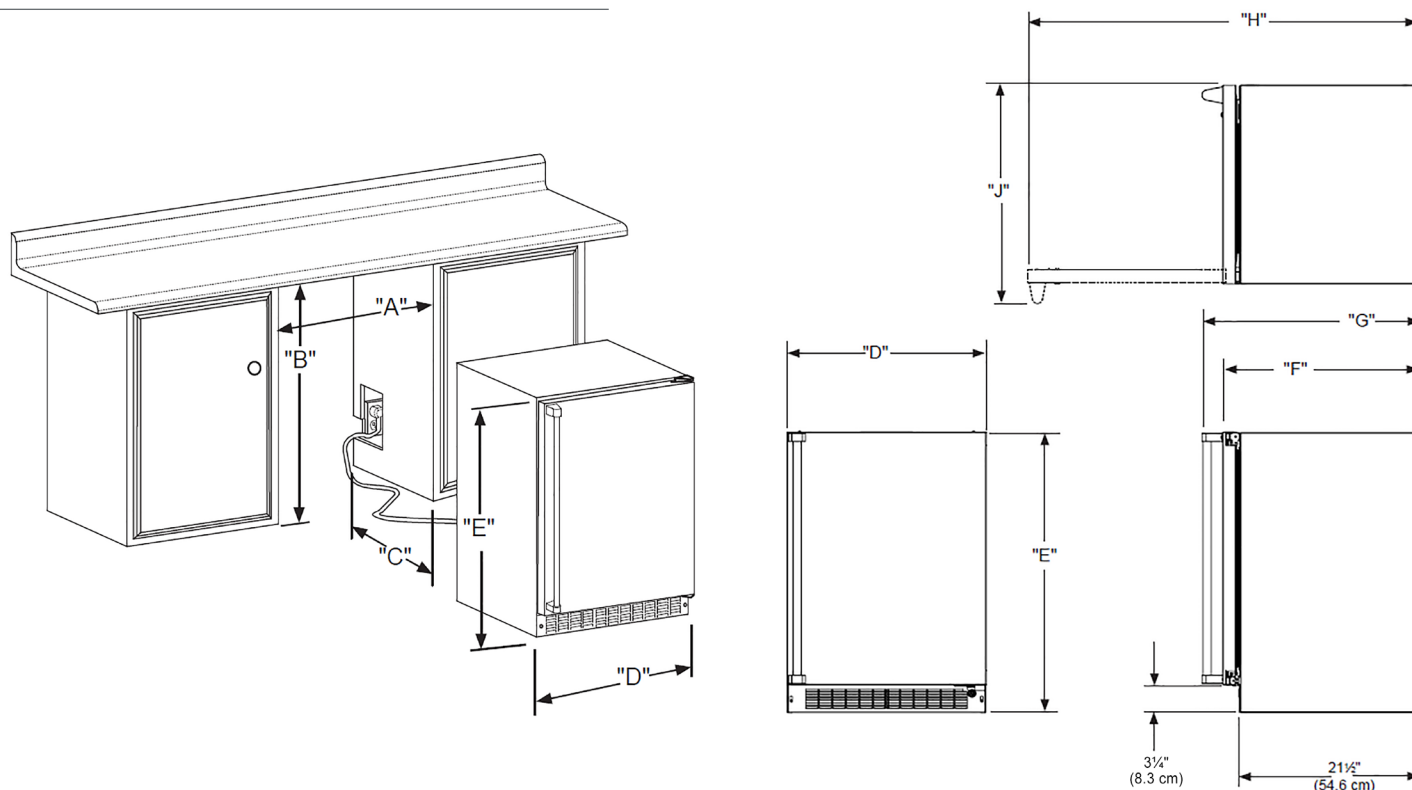


DOOR STYLE	MODEL NUMBER
Solid Stainless Steel	MPRF424-SS31A
Solid Panel Ready	MPRF424-IS31A





## DIMENSIONAL DRAWINGS



### ROUGH IN DIMENSIONS\*

"A"	"B"	"C"
24"	34" to 35"	24"
(61 cm)	(86.4 cm to 88.9 cm)	(61 cm)

### CABINET DIMENSIONS\*

"D"	"E"	"F"	"G"	"H"	"J"
23-7/8"	33-3/4" to 34-3/4"	23-5/8"*	26-1/8"*	47-3/4"*	26-3/8"*
(60.7 cm)	(85.7 cm to 88.3 cm)	(60 cm)	(66.4 cm)	(121.3 cm)	(67 cm)

\*Stainless steel model dimensions only. For panel-ready models, see the owner's guide online at [marvelrefrigeration.com](http://marvelrefrigeration.com).

## PRODUCT SPECIFICATIONS

<b>Capacity</b>	4.9 cu. ft.
<b>Cord Length</b>	6 ft.
<b>Electrical Requirements</b>	115V / 60 Hz / 15A
<b>ENERGY STAR</b>	Yes
<b>Panel Height</b>	30-7/16" (77.3 cm)
<b>Panel Thickness</b>	5/8" (1.6 cm) or 3/4" (1.9 cm)
<b>Panel Type</b>	2-3/4" (7 cm) Solid Panel
<b>Panel Width</b>	23-5/8" (60 cm)
<b>Refrigerant Type</b>	R600a

<b>Sabbath Mode</b>	Yes
<b>Shipping Dimensions</b>	28" W x 31" D x 37" H
<b>Shipping Weight</b>	160 lbs
<b>Temperature Range</b>	Refrigerator: 34°F to 42°F Freezer: 0°F to 5°F

For comprehensive installation instructions, including panel overlay details, please visit [marvelrefrigeration.com](http://marvelrefrigeration.com) to access the owner's guide. All specifications are subject to change without notice.



# MPRI424

## 24" REFRIGERATOR WITH CRESCENT ICE MAKER

### MARVEL PROFESSIONAL COLLECTION



### MAIN FEATURES

- 3.9 cu ft. capacity stores up to 72 cans (12-oz)
- Crescent ice maker produces up to 7 lbs of ice per day and can store up to 13 lbs of ice
- 2 half-width cantilevered shelves and 1 full-width fixed shelf
- Dynamic cooling technology delivers rapid cool down, frost-free operation, and temperature stability
- Digital controls allow you to select a temperature from 34°F to 42°F
- Door ajar and high/low temperature alerts
- Adjustable LED theater-style lighting in arctic white or sapphire blue
- Elegant midnight black interior
- Professional styling: Robust full-length handle and stainless steel accents
- Reversible soft-close door allows for right or left swing
- Door lock provides added security
- Panel ready model requires 3/4" or 5/8" custom panel and handle (not supplied by Marvel)

### WARRANTY

- 3-year parts and labor warranty with product registration and 5-year sealed system parts warranty (see complete warranty for details)

### FINISH OPTIONS



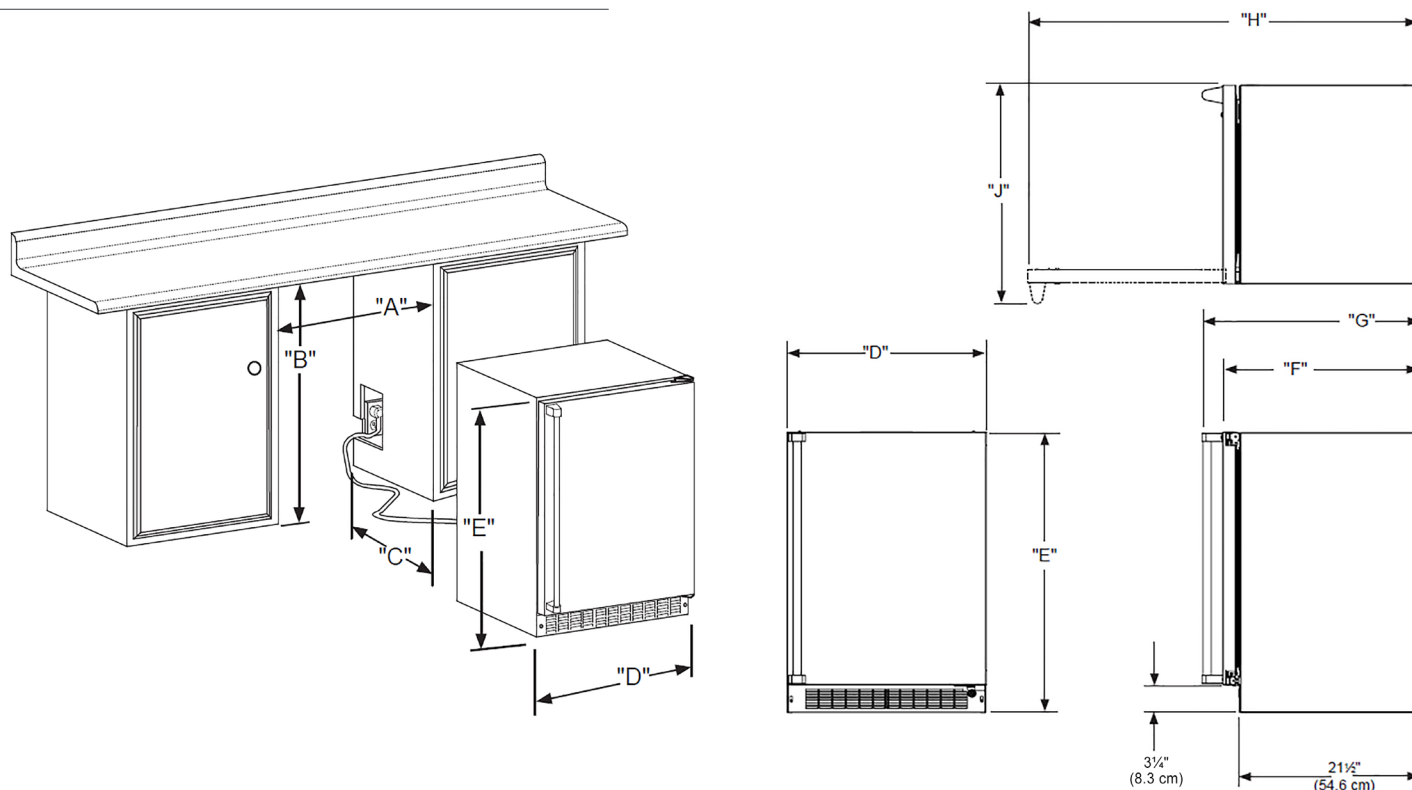
DOOR STYLE	MODEL NUMBER
Solid Stainless Steel	MPRI424-SS31A
Solid Panel Ready	MPRI424-IS31A







## DIMENSIONAL DRAWINGS



### ROUGH IN DIMENSIONS\*

"A"	"B"	"C"
24"	34" to 35"	24"
(61 cm)	(86.4 cm to 88.9 cm)	(61 cm)

### CABINET DIMENSIONS\*

"D"	"E"	"F"	"G"	"H"	"J"
23-7/8"	33-3/4" to 34-3/4"	23-5/8"*	26-1/8"*	47-3/4"*	26-3/8"*
(60.7 cm)	(85.7 cm to 88.3 cm)	(60 cm)	(66.4 cm)	(121.3 cm)	(67 cm)

\*Stainless steel model dimensions only. For panel-ready models, see the owner's guide online at [marvelrefrigeration.com](http://marvelrefrigeration.com).

## PRODUCT SPECIFICATIONS

<b>Capacity</b>	4.9 cu. ft.
<b>Cord Length</b>	6 ft.
<b>Electrical Requirements</b>	115V / 60 Hz / 15A
<b>ENERGY STAR</b>	Yes
<b>Panel Height</b>	30-7/16" (77.3 cm)
<b>Panel Thickness</b>	5/8" (1.6 cm) or 3/4" (1.9 cm)
<b>Panel Type</b>	2-3/4" (7 cm) Solid Panel
<b>Panel Width</b>	23-5/8" (60 cm)
<b>Refrigerant Type</b>	R600a

<b>Sabbath Mode</b>	Yes
<b>Shipping Dimensions</b>	28" W x 31" D x 37" H
<b>Shipping Weight</b>	160 lbs
<b>Temperature Range</b>	34°F to 42°F

For comprehensive installation instructions, including panel overlay details, please visit [marvelrefrigeration.com](http://marvelrefrigeration.com) to access the owner's guide. All specifications are subject to change without notice.



# MPFZ424

## 24" FREEZER

### MARVEL PROFESSIONAL COLLECTION



### MAIN FEATURES

- 4.6 cu ft. capacity
- 3 chrome wire bins
- Dynamic cooling technology delivers rapid cool down and temperature stability
- Digital controls allow you to select a temperature from -10°F to 10°F
- Door ajar and high/low temperature alerts
- Adjustable LED theater-style lighting in arctic white or sapphire blue
- Elegant midnight black interior
- Professional styling: Robust full-length handle and stainless steel accents
- Reversible soft-close door allows for right or left swing
- Door lock provides added security
- Panel ready model requires 3/4" or 5/8" custom panel and handle (not supplied by Marvel)

### WARRANTY

- 3-year parts and labor warranty with product registration and 5-year sealed system parts warranty (see complete warranty for details)

### FINISH OPTIONS

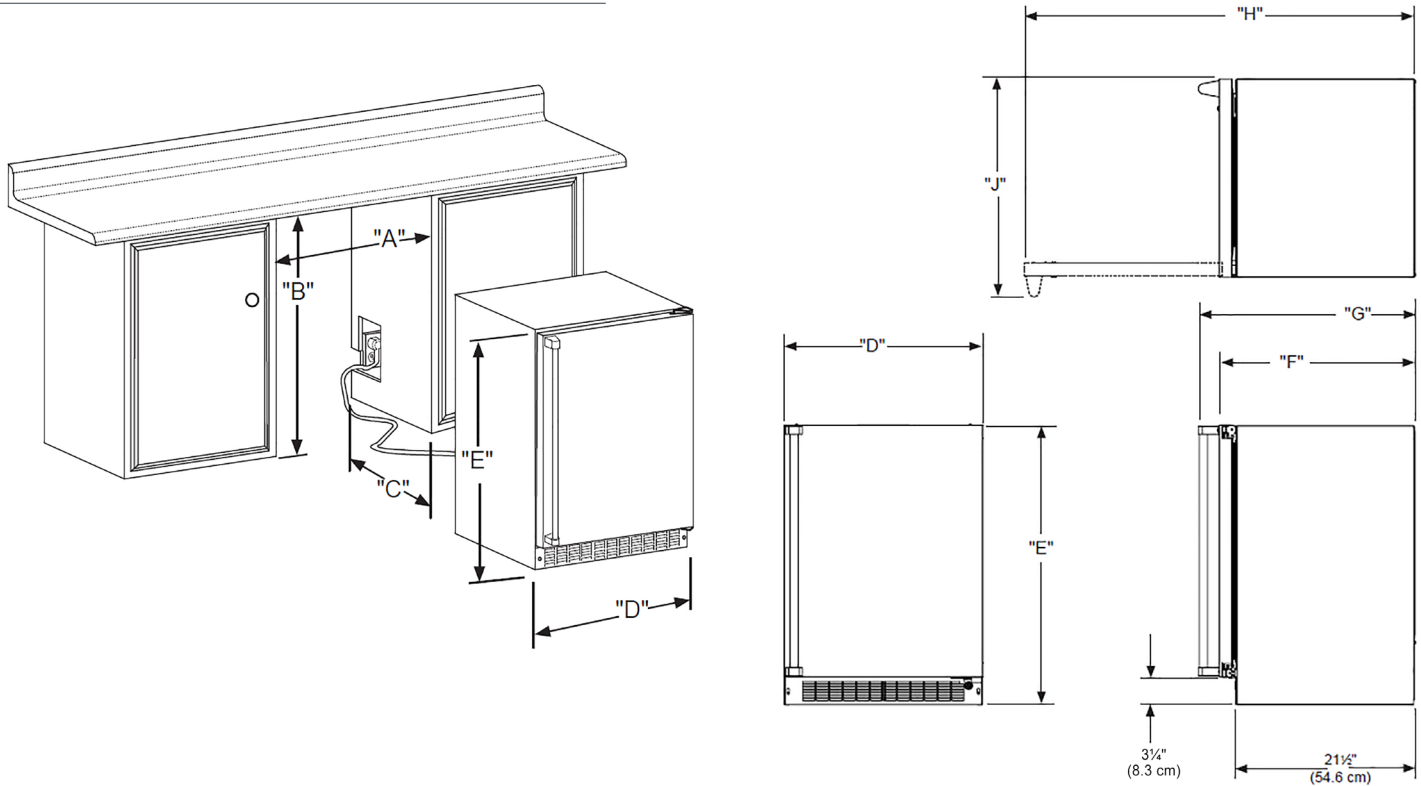


DOOR STYLE	MODEL NUMBER
Solid Stainless Steel	MPFZ424-SS31A
Solid Panel Ready	MPFZ424-IS31A





## DIMENSIONAL DRAWINGS



### ROUGH IN DIMENSIONS\*

"A"	"B"	"C"
24"	34" to 35"	24"
(61 cm)	(86.4 cm to 88.9 cm)	(61 cm)

### CABINET DIMENSIONS\*

"D"	"E"	"F"	"G"	"H"	"J"
23-7/8"	33-3/4" to 34-3/4"	23-5/8"*	26-1/8"*	47-3/4"*	26-3/8"*
(60.7 cm)	(85.7 cm to 88.3 cm)	(60 cm)	(66.4 cm)	(121.3 cm)	(67 cm)

\*Stainless steel model dimensions only. For panel-ready models, see the owner's guide online at [marvelrefrigeration.com](http://marvelrefrigeration.com).

## PRODUCT SPECIFICATIONS

<b>Capacity</b>	4.6 cu. ft.
<b>Cord Length</b>	6 ft.
<b>Electrical Requirements</b>	115V / 60 Hz / 15A
<b>ENERGY STAR</b>	Yes
<b>Panel Height</b>	30-7/16" (77.3 cm)
<b>Panel Thickness</b>	5/8" (1.6 cm) or 3/4" (1.9 cm)
<b>Panel Type</b>	2-3/4" (7 cm) Solid Panel
<b>Panel Width</b>	23-5/8" (60 cm)
<b>Refrigerant Type</b>	R600a

<b>Sabbath Mode</b>	Yes
<b>Shipping Dimensions</b>	28" W x 31" D x 37" H
<b>Shipping Weight</b>	160 lbs
<b>Temperature Range</b>	-10°F to 10°F

For comprehensive installation instructions, including panel overlay details, please visit [marvelrefrigeration.com](http://marvelrefrigeration.com) to access the owner's guide. All specifications are subject to change without notice.



# MPCP415

## 15" CLEAR ICE MACHINE



BrightShield protects against viruses, bacteria, mold and mildew.



### MARVEL PROFESSIONAL COLLECTION

#### MAIN FEATURES

- Models with BrightShield™ antimicrobial lighting create a more hygienic environment for ice
- Produces 3/4" clear ice cubes
- Produces up to 39 pounds of clear ice per day
- Stores up to 23 pounds of clear ice
- Ice scoop included with dedicated holder
- Factory-installed drain pump included
- Door ajar and cleaning alerts
- Adjustable LED theater-style lighting in arctic white or sapphire blue (non-BrightShield models)
- Elegant midnight black interior
- Professional styling: Robust full-length handle and stainless steel accents
- Reversible soft-close door allows for right or left swing
- Panel ready model requires 3/4" or 5/8" custom panel and handle (not supplied by Marvel)

#### WARRANTY

- 3-year parts and labor warranty with product registration and 5-year sealed system parts warranty (see complete warranty for details)

#### FINISH OPTIONS



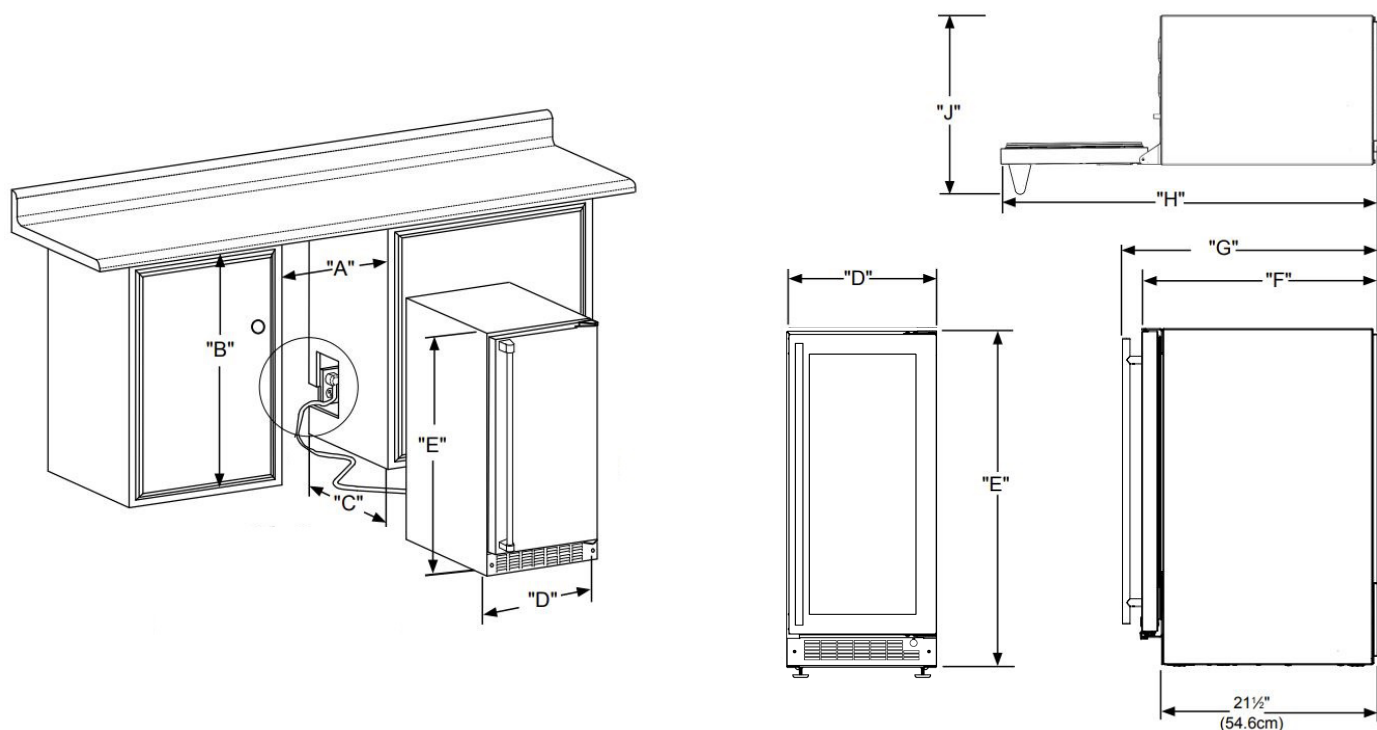
DOOR STYLE	MODEL NUMBER
Stainless Steel Frame Glass	MPCP415-SG01A
Solid Stainless Steel	MPCP415-SS01A
Solid Panel Ready	MPCP415-IS01A

BRIGHTSHIELD™ MODELS	MODEL NUMBER
Stainless Steel Frame Glass	MPCP415-SG81A
Solid Stainless Steel	MPCP415-SS81A
Solid Panel Ready	MPCP415-IS81A





## DIMENSIONAL DRAWINGS



### ROUGH IN DIMENSIONS\*

"A"	"B"	"C"
15"	34" to 35"	24"
(38.1 cm)	(86.4 cm to 88.9 cm)	(61 cm)

### CABINET DIMENSIONS\*

"D"	"E"	"F"	"G"	"H"	"J"
14-7/8"	33-3/4" to 34-3/4"	22-7/8"*	26-3/8"*	38-7/8"*	17-1/2"*
(37.8 cm)	(85.7 cm to 88.3 cm)	(58.1 cm)	(67 cm)	(98.7 cm)	(44.5 cm)

\*Stainless steel model dimensions only. For panel-ready models, see the owner's guide online at [marvelrefrigeration.com](http://marvelrefrigeration.com).

## PRODUCT SPECIFICATIONS

<b>Capacity</b>	23 lbs
<b>Cord Length</b>	6 ft.
<b>Electrical Requirements</b>	115V / 60 Hz / 15A
<b>ENERGY STAR</b>	Yes
<b>Panel Height</b>	30-7/16" (77.3 cm)
<b>Panel Thickness</b>	5/8" (1.6 cm) or 3/4" (1.9 cm)
<b>Panel Type</b>	2-3/4" (7 cm) Solid Panel
<b>Panel Width</b>	14-3/4" (37.5 cm)
<b>Refrigerant Type</b>	R600a

<b>Sabbath Mode</b>	Yes
<b>Shipping Dimensions</b>	19" W x 31" D x 37" H
<b>Shipping Weight</b>	125 lbs

For comprehensive installation instructions, including panel overlay details, please visit [marvelrefrigeration.com](http://marvelrefrigeration.com) to access the owner's guide. All specifications are subject to change without notice.



# MPNP415

## 15" NUGGET ICE MACHINE



BrightShield protects against viruses, bacteria, mold and mildew.



### MARVEL PROFESSIONAL COLLECTION

#### MAIN FEATURES

- BrightShield™ antimicrobial lighting creates a more hygienic environment for ice
- Produces 3/4" L x 1/2" H cylindrical ice
- Produces up to 90 pounds of nugget ice per day
- Stores up to 30 pounds of nugget ice
- Ice scoop included with dedicated holder
- Factory-installed drain pump included
- Digital controls allow you to select preferred ice density
- Door ajar and cleaning alerts
- Adjustable LED theater-style lighting in arctic white or sapphire blue (non-BrightShield models)
- Elegant midnight black interior
- Professional styling: Robust full-length handle and stainless steel accents
- Reversible soft-close door allows for right or left swing
- Panel ready model requires 3/4" or 5/8" custom panel and handle (not supplied by Marvel)

#### WARRANTY

- 3-year parts and labor warranty with product registration and 5-year sealed system parts warranty (see complete warranty for details)

#### FINISH OPTIONS



BRIGHTSHIELD™ MODELS	MODEL NUMBER
Solid Stainless Steel	MPNP415-SS81A
Solid Panel Ready	MPNP415-IS81A

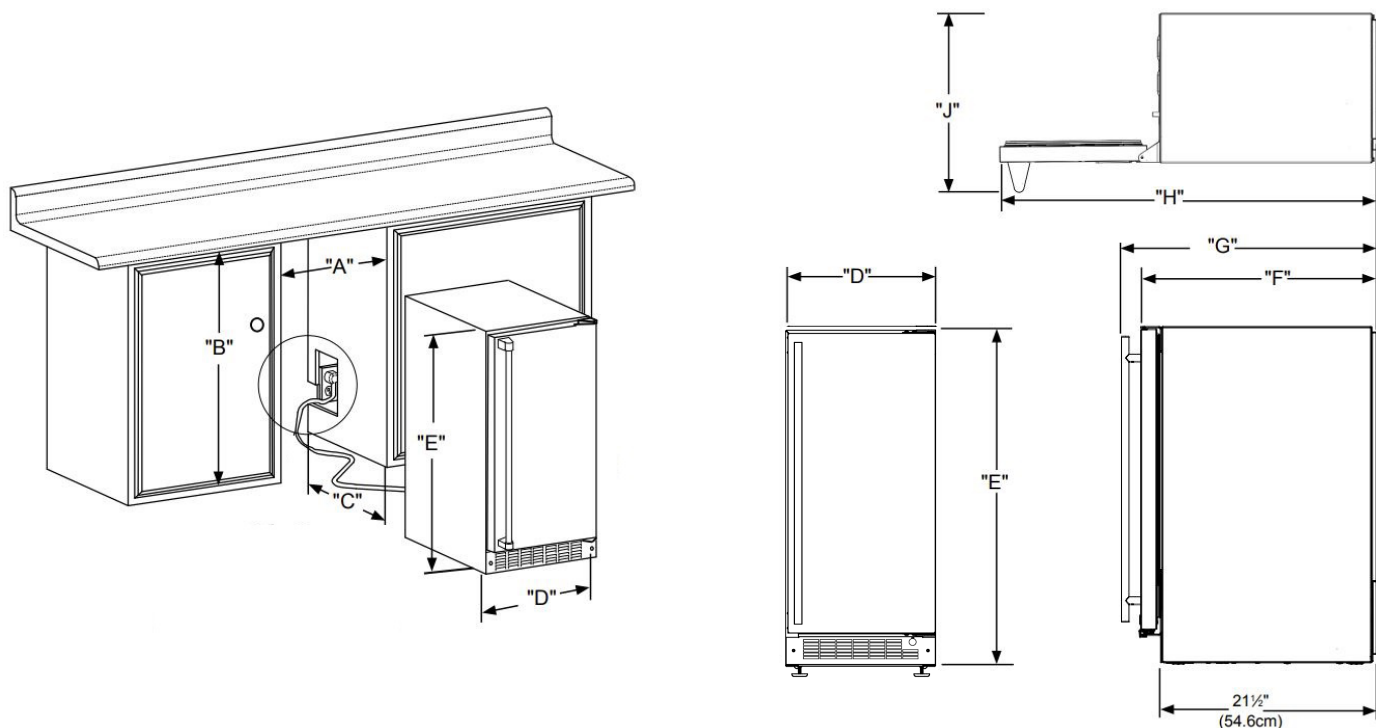
ACCESSORY	PART NUMBER
In-Line Water Filter Head 3/8" NPT	S41016345-ACCY
In-Line Water Filter (Standard)	S41016343-ACCY
In-Line Water Filter (Large)	S41016344-ACCY
Nugget Ice Cleaner Kit*	S41016346-ACCY
Nugget Ice Cleaner (Single 8 oz. Bottle)	S41015681
Internal Water Filter (QTY 1)	S41016405-ACCY

\*Includes (1) bottle of nugget ice cleaner, funnel and tubing





**DIMENSIONAL DRAWINGS**



**ROUGH IN DIMENSIONS\***

"A"	"B"	"C"
15-1/4"	34-1/4" to 35-1/4"	24"
(38.7 cm)	(87 cm to 88.9 cm)	(61 cm)

**CABINET DIMENSIONS\***

"D"	"E"	"F"	"G"	"H"	"J"
14-15/16"	34-1/8" to 35-11/16"	22-15/16"*	24-13/16"*	38-5/8"*	17-1/2"*
(37.9 cm)	(86.7 cm to 89.2 cm)	(58.3 cm)	(63 cm)	(98 cm)	(44.5 cm)

\*Stainless steel model dimensions only. For panel-ready models, see the owner's guide online at [marvelrefrigeration.com](http://marvelrefrigeration.com).

**PRODUCT SPECIFICATIONS**

<b>Capacity</b>	30 lbs
<b>Cord Length</b>	6 ft.
<b>Electrical Requirements</b>	115V / 60 Hz / 15A
<b>ENERGY STAR</b>	No
<b>Panel Height</b>	30-7/16" (77.3 cm)
<b>Panel Thickness</b>	5/8" (1.6 cm) or 3/4" (1.9 cm)
<b>Panel Type</b>	2-3/4" (7 cm) Solid Panel
<b>Panel Width</b>	14-3/4" (37.5 cm)
<b>Refrigerant Type</b>	R600a

<b>Sabbath Mode</b>	Yes
<b>Shipping Dimensions</b>	19" W x 31" D x 37" H
<b>Shipping Weight</b>	125 lbs

For comprehensive installation instructions, including panel overlay details, please visit [marvelrefrigeration.com](http://marvelrefrigeration.com) to access the owner's guide. All specifications are subject to change without notice.



# CLASSIC COLLECTION

TIMELESS STYLE





Our broad Classic Collection of products continue to uphold the hallmark standards of quality and signature features for generations. These popular refrigeration, ice and wine preservation models propel our reputation and status in the undercounter appliance industry.



# MLBD224

## 24" DUAL ZONE BEVERAGE CENTER

### MARVEL CLASSIC COLLECTION



### MAIN FEATURES

- 5.0 total cu ft.
- 2.69 cu ft. upper zone can hold up to 112 cans (12-oz), longneck bottles or 6 wine bottles
- 3-in-1 Split Convertible Shelf converts to 3 or 6-bottle wine rack
- Cantilevered shelving system can hold up to 35 lbs
- 2.3 cu ft. lower zone stores 16 bottles of wine
- Dynamic cooling technology delivers rapid cool down, frost-free operation, and temperature stability
- Argon-filled, UV-resistant tinted dual pane glass door options protect contents
- Digital controls allow you to select a temperature for each zone - Upper zone: 33°F to 45°F, Lower zone: 38°F to 65°F (The lower temperature must be equal to or greater than the upper temperature, maximum 20° higher)
- Door ajar and high/low temperature alerts
- Arctic white LED theater-style lighting
- Elegant midnight black interior
- Reversible door allows for right or left swing
- Panel ready model requires 3/4" or 5/8" custom panel and handle (not supplied by Marvel)

### FINISH OPTIONS



DOOR STYLE	MODEL NUMBER
Stainless Steel Frame Glass	MLBD224-SG01A
Panel Ready Frame Glass	MLBD224-IG01A
Solid Stainless Steel	MLBD224-SS01A
Solid Panel Ready	MLBD224-IS01A

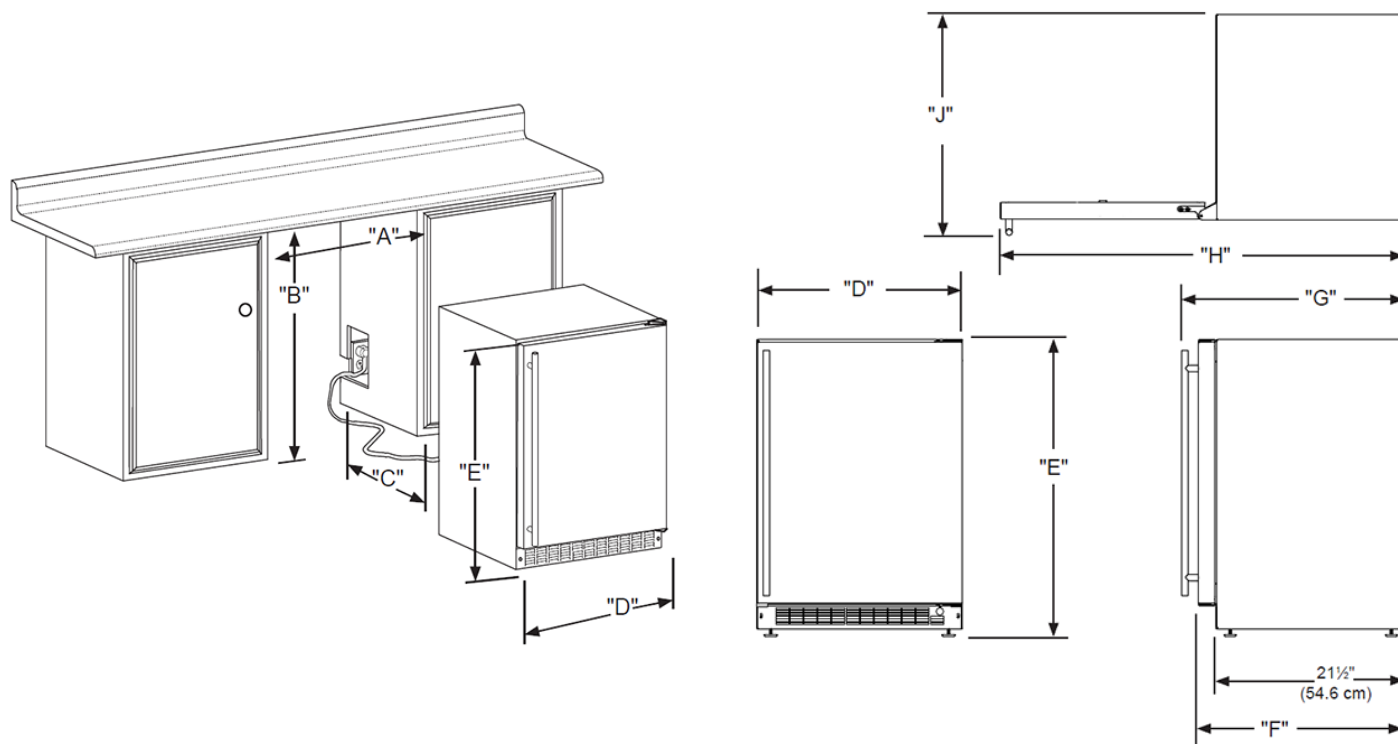
### WARRANTY

- 1-year parts and labor warranty and 5-year sealed system parts warranty (see complete warranty for details)





## DIMENSIONAL DRAWINGS



### ROUGH IN DIMENSIONS\*

"A"	"B"	"C"
24"	34" to 35"	24"
(61 cm)	(86.4 to 88.9 cm)	(61 cm)

### CABINET DIMENSIONS\*

"D"	"E"	"F"	"G"	"H"	"J"
23-7/8"	33-3/4" to 34-3/4"	23-5/8"*	25-1/2*	46-3/8"*	25-3/4"*
(60.7 cm)	(85.7 cm to 88.3 cm)	(60 cm)	(64.8 cm)	(117.8 cm)	(65.4 cm)

\*Stainless steel model dimensions only. For panel-ready models, see the owner's guide online at [marvelrefrigeration.com](http://marvelrefrigeration.com).

## PRODUCT SPECIFICATIONS

<b>Capacity</b>	5.0 cu. ft.
<b>Cord Length</b>	6 ft.
<b>Electrical Requirements</b>	115V / 60 Hz / 15A
<b>ENERGY STAR</b>	No
<b>Panel Height</b>	29-21/32" (75.3 cm)
<b>Panel Thickness</b>	5/8" (1.6 cm) or 3/4" (1.9 cm)
<b>Panel Type</b>	2-3/4" (7 cm) Frame Panel or Solid Panel
<b>Panel Width</b>	23-5/8" (60 cm)
<b>Refrigerant Type</b>	R600a

<b>Sabbath Mode</b>	Yes
<b>Shipping Dimensions</b>	28" W x 31" D x 37" H
<b>Shipping Weight</b>	160 lbs
<b>Temperature Range</b>	Upper zone: 33°F to 45°F Lower zone: 38°F to 65°F

For comprehensive installation instructions, including panel overlay details, please visit [marvelrefrigeration.com](http://marvelrefrigeration.com) to access the owner's guide. All specifications are subject to change without notice.



# MLBV224

## 24" BEVERAGE CENTER

### MARVEL CLASSIC COLLECTION



#### MAIN FEATURES

- 5.5 cu ft capacity stores up to 162 cans (12-oz) and/or 18 wine bottles
- Two 3-in-1 Split Convertible Shelves convert to wine racks with vibration neutralization
- Cantilevered shelving system can hold up to 35 lbs and featured 11 adjustable heights
- Dynamic cooling technology delivers rapid cool down, frost-free operation, and temperature stability
- Argon-filled, UV-resistant tinted dual pane glass door options protect contents
- Digital controls allow you to select a temperature from 34°F to 60°F
- Door ajar and high/low temperature alerts
- Arctic white LED theater-style lighting
- Elegant midnight black interior
- Reversible door allows for right or left swing
- Panel ready model requires 3/4" or 5/8" custom panel and handle (not supplied by Marvel)

#### WARRANTY

- 1-year parts and labor warranty and 5-year sealed system parts warranty (see complete warranty for details)

#### FINISH OPTIONS

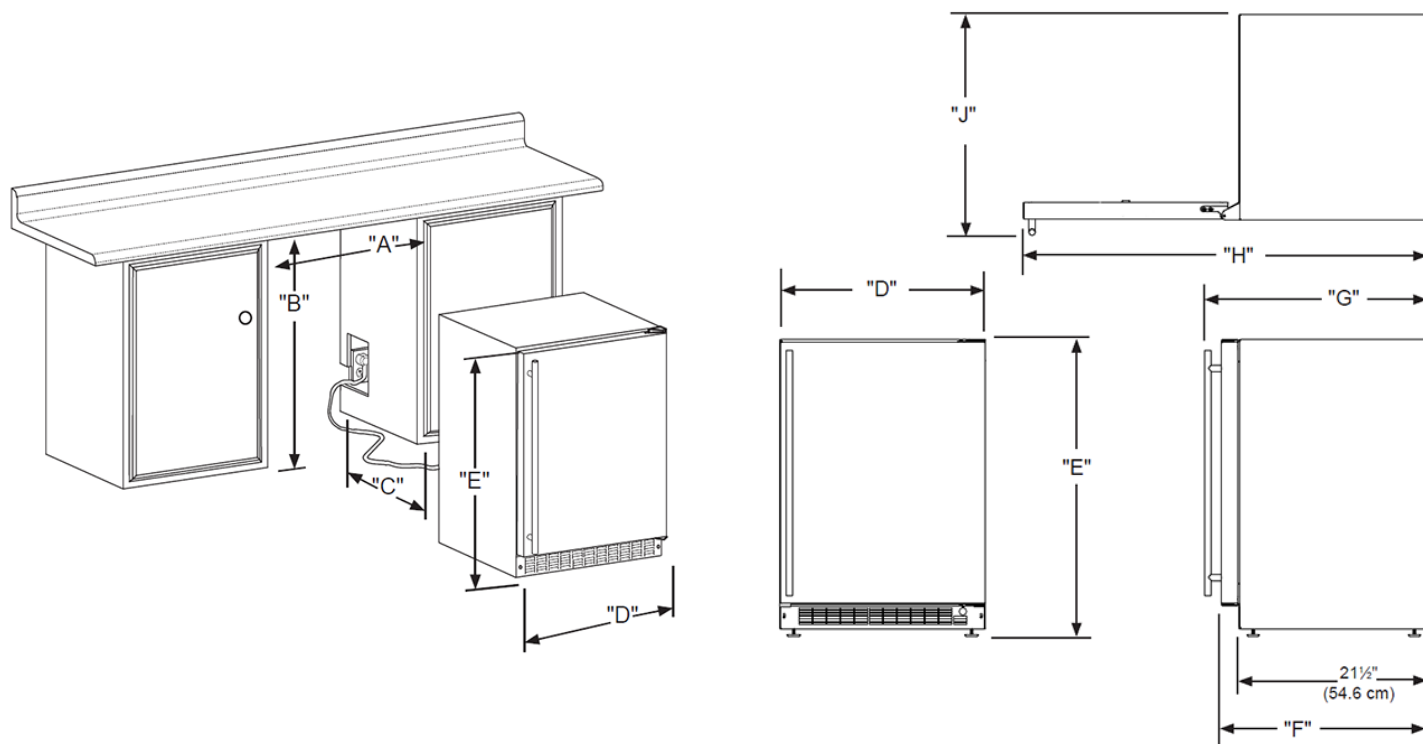


DOOR STYLE	MODEL NUMBER
Stainless Steel Frame Glass	MLBV224-SG01A
Panel Ready Frame Glass	MLBV224-IG01A
Solid Stainless Steel	MLBV224-SS01A
Solid Panel Ready	MLBV224-IS01A





## DIMENSIONAL DRAWINGS



### ROUGH IN DIMENSIONS\*

"A"	"B"	"C"
24"	34" to 35"	24"
(61 cm)	(86.4 to 88.9 cm)	(61 cm)

### CABINET DIMENSIONS\*

"D"	"E"	"F"	"G"	"H"	"J"
23-7/8"	33-3/4" to 34-3/4"	23-5/8"*	25-1/2*	46-3/8"*	25-3/4"*
(60.7 cm)	(85.7 cm to 88.3 cm)	(60 cm)	(64.8 cm)	(117.8 cm)	(65.4 cm)

\*Stainless steel model dimensions only. For panel-ready models, see the owner's guide online at [marvelrefrigeration.com](http://marvelrefrigeration.com).

## PRODUCT SPECIFICATIONS

<b>Capacity</b>	5.5 cu. ft.
<b>Cord Length</b>	6 ft.
<b>Electrical Requirements</b>	115V / 60 Hz / 15A
<b>ENERGY STAR</b>	Yes
<b>Panel Height</b>	29-21/32" (75.3 cm)
<b>Panel Thickness</b>	5/8" (1.6 cm) or 3/4" (1.9 cm)
<b>Panel Type</b>	2-3/4" (7 cm) Frame Panel or Solid Panel
<b>Panel Width</b>	23-5/8" (60 cm)
<b>Refrigerant Type</b>	R600a

<b>Sabbath Mode</b>	Yes
<b>Shipping Dimensions</b>	28" W x 31" D x 37" H
<b>Shipping Weight</b>	160 lbs
<b>Temperature Range</b>	34°F to 60°F

For comprehensive installation instructions, including panel overlay details, please visit [marvelrefrigeration.com](http://marvelrefrigeration.com) to access the owner's guide. All specifications are subject to change without notice.



# MLBV124

## 24" BEVERAGE CENTER

### MARVEL CLASSIC COLLECTION



#### MAIN FEATURES

- 5.5 cu ft capacity stores up to 190 cans (12-oz) and 6 wine bottles
- 2 cantilevered steel shelves
- 1 removable 6-bottle wine cradle
- Cantilevered shelving system can hold up to 35 lbs and features 11 adjustable heights
- Dynamic cooling technology delivers rapid cool down, frost-free operation, and temperature stability
- Argon-filled, UV-resistant tinted dual pane glass door options protect contents
- Digital controls allow you to select a temperature from 34°F to 60°F
- Door ajar and high/low temperature alerts
- Arctic white LED theater-style lighting
- Elegant midnight black interior
- Reversible door allows for right or left swing

#### WARRANTY

- 1-year parts and labor warranty and 5-year sealed system parts warranty (see complete warranty for details)

#### FINISH OPTIONS

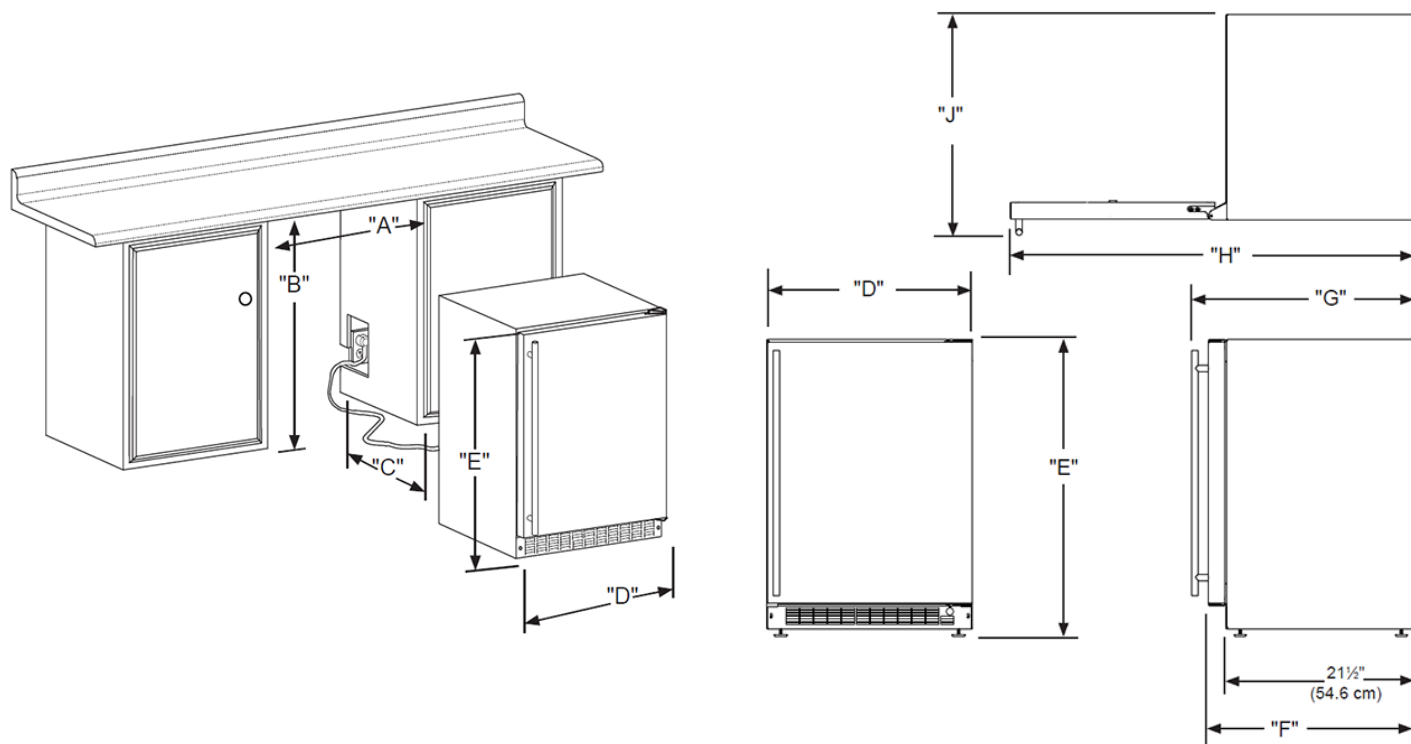


DOOR STYLE	MODEL NUMBER
Stainless Steel Frame Glass	MLBV124-SG01A





## DIMENSIONAL DRAWINGS



### ROUGH IN DIMENSIONS\*

"A"	"B"	"C"
24"	34" to 35"	24"
(61 cm)	(86.4 to 88.9 cm)	(61 cm)

### CABINET DIMENSIONS\*

"D"	"E"	"F"	"G"	"H"	"J"
23-7/8"	33-3/4" to 34-3/4"	23-5/8"*	25-1/2*	46-3/8"*	25-3/4"*
(60.7 cm)	(85.7 cm to 88.3 cm)	(60 cm)	(64.8 cm)	(117.8 cm)	(65.4 cm)

## PRODUCT SPECIFICATIONS

<b>Capacity</b>	5.5 cu. ft.
<b>Cord Length</b>	6 ft.
<b>Electrical Requirements</b>	115V / 60 Hz / 15A
<b>ENERGY STAR</b>	Yes
<b>Refrigerant Type</b>	R600a
<b>Sabbath Mode</b>	Yes
<b>Shipping Dimensions</b>	28" W x 31" D x 37" H
<b>Shipping Weight</b>	160 lbs
<b>Temperature Range</b>	34°F to 60°F

For comprehensive installation instructions, please visit [marvelrefrigeration.com](http://marvelrefrigeration.com) to access the owner's guide. All specifications are subject to change without notice.



# MLBV024

## 24" BEVERAGE CENTER

### MARVEL CLASSIC COLLECTION



### MAIN FEATURES

- 5.7 cu ft. capacity stores up to 194 cans (12-oz) and 6 wine bottles
- Three adjustable and removable flat glass shelves
- Bottom wine storage accommodates larger bottles
- Dynamic cooling technology delivers rapid cool down, frost-free operation, and temperature stability
- Argon-filled, UV-resistant tinted dual pane glass door options protect contents
- Digital controls allow you to select a temperature from 34°F to 60°F
- Door ajar and high/low temperature alerts
- Arctic white LED theater-style lighting
- Elegant midnight black interior
- Reversible door allows for right or left swing

### WARRANTY

- 1-year parts and labor warranty and 5-year sealed system parts warranty (see complete warranty for details)

### FINISH OPTIONS



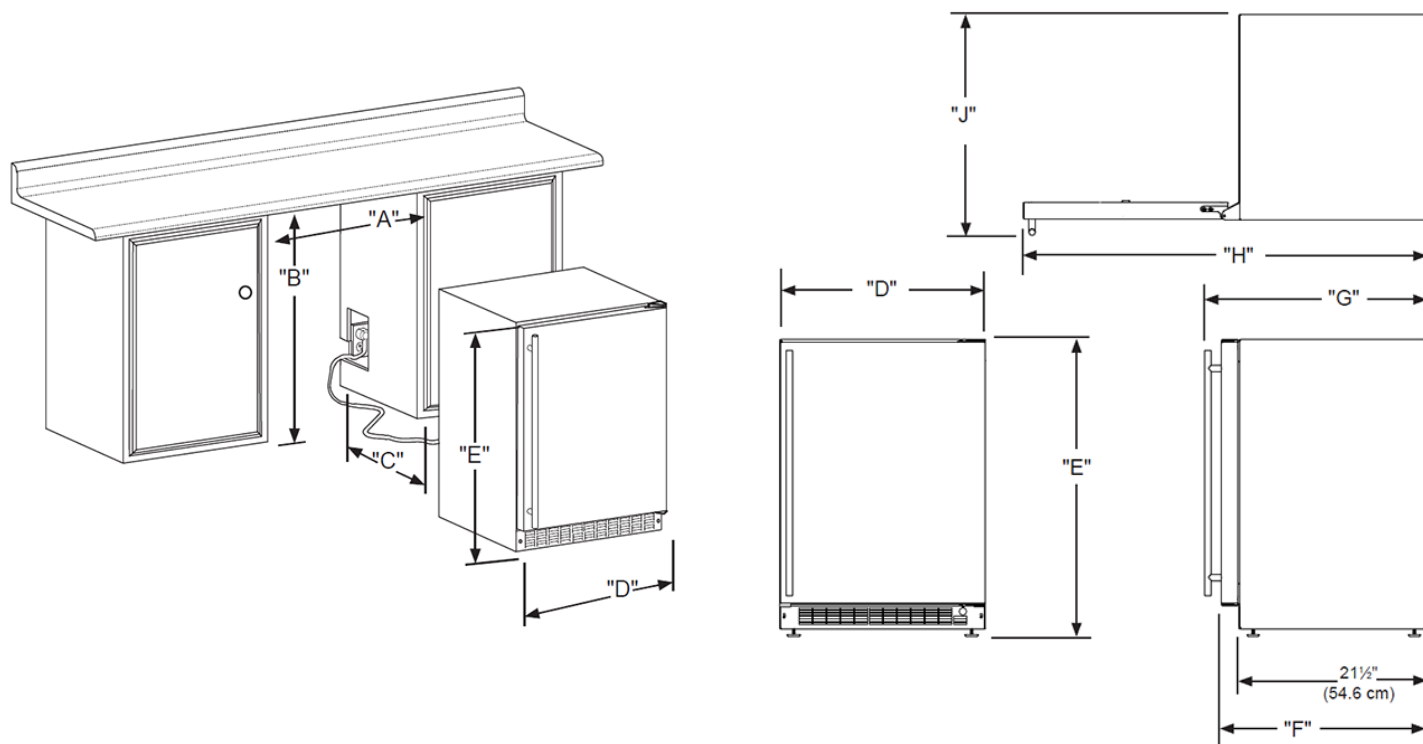
DOOR STYLE	MODEL NUMBER
Stainless Steel Frame Glass	MLBV024-SG01A
Solid Stainless Steel	MLBV024-SS01A







## DIMENSIONAL DRAWINGS



### ROUGH IN DIMENSIONS\*

"A"	"B"	"C"
24"	34" to 35"	24"
(61 cm)	(86.4 to 88.9 cm)	(61 cm)

### CABINET DIMENSIONS\*

"D"	"E"	"F"	"G"	"H"	"J"
23-7/8"	33-3/4" to 34-3/4"	23-5/8"*	25-1/2*	46-3/8"*	25-3/4"*
(60.7 cm)	(85.7 cm to 88.3 cm)	(60 cm)	(64.8 cm)	(117.8 cm)	(65.4 cm)

## PRODUCT SPECIFICATIONS

<b>Capacity</b>	5.5 cu. ft.
<b>Cord Length</b>	6 ft.
<b>Electrical Requirements</b>	115V / 60 Hz / 15A
<b>ENERGY STAR</b>	Yes
<b>Refrigerant Type</b>	R600a
<b>Sabbath Mode</b>	Yes
<b>Shipping Dimensions</b>	28" W x 31" D x 37" H
<b>Shipping Weight</b>	160 lbs
<b>Temperature Range</b>	34°F to 60°F

For comprehensive installation instructions, please visit [marvelrefrigeration.com](http://marvelrefrigeration.com) to access the owner's guide. All specifications are subject to change without notice.



# MLBV215

## 15" BEVERAGE CENTER

### MARVEL CLASSIC COLLECTION



#### MAIN FEATURES

- 2.7 cu ft. capacity stores up to 72 cans (12-oz) and 3 wine bottles
- Includes black steel-framed glass cantilevered shelves
- One 3-in-1 Convertible Shelf featuring removable glass pane with wine rack option to store a combination of food, beverages or wine
- Cantilevered shelving system can hold up to 35 lbs and features 11 adjustable heights
- Dynamic cooling technology delivers rapid cool down, frost-free operation, and temperature stability
- Argon-filled, UV-resistant tinted dual pane glass door options protect contents
- Digital controls allow you to select a temperature from 34°F to 60°F
- Door ajar and high/low temperature alerts
- Arctic white LED theater-style lighting
- Elegant midnight black interior
- Reversible door allows for right or left swing

#### WARRANTY

- 1-year parts and labor warranty and 5-year sealed system parts warranty (see complete warranty for details)

#### FINISH OPTIONS

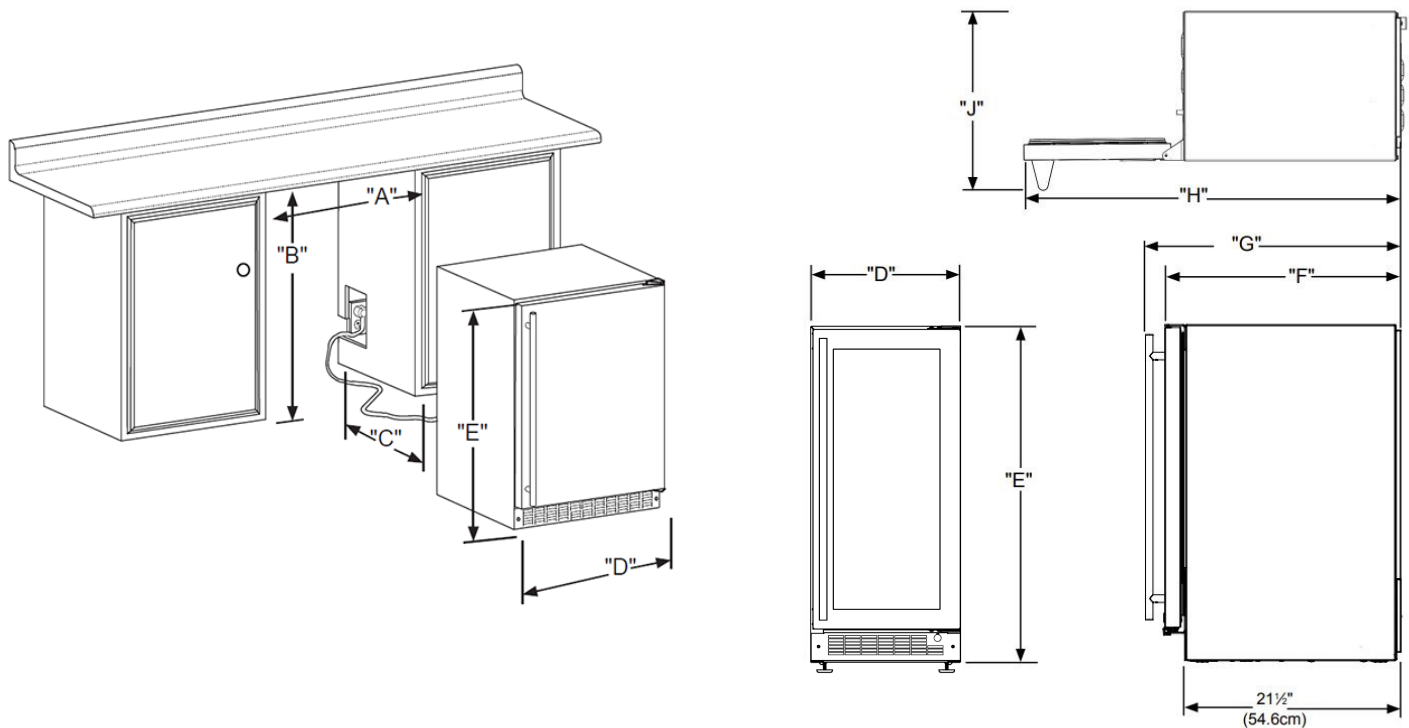


DOOR STYLE	MODEL NUMBER
Stainless Steel Frame Glass	MLBV215-SG01A
Panel Ready Frame Glass	MLBV215-IG01A
Solid Stainless Steel	MLBV215-SS01A
Solid Panel Ready	MLBV215-IS01A





## DIMENSIONAL DRAWINGS



### ROUGH IN DIMENSIONS\*

"A"	"B"	"C"
15"	34" to 35"	24"
(38.1 cm)	(86.4 cm to 88.9 cm)	(61 cm)

### CABINET DIMENSIONS\*

"D"	"E"	"F"	"G"	"H"	"J"
14-7/8"	33-3/4" to 34-3/4"	23-5/8"*	25-1/2"*	37-3/8"*	16-5/8"*
(37.8 cm)	(85.7 cm to 88.3 cm)	(60 cm)	(64.8 cm)	(94.9 cm)	(42.2 cm)

\*Stainless steel model dimensions only. For panel-ready models, see the owner's guide online at [marvelrefrigeration.com](http://marvelrefrigeration.com).

## PRODUCT SPECIFICATIONS

<b>Capacity</b>	2.7 cu. ft.
<b>Cord Length</b>	6 ft.
<b>Electrical Requirements</b>	115V / 60 Hz / 15A
<b>ENERGY STAR</b>	Yes
<b>Panel Height</b>	29-21/32" (75.4 cm)
<b>Panel Thickness</b>	5/8" (1.6 cm) or 3/4" (1.9 cm)
<b>Panel Type</b>	2-3/4" (7 cm) Frame Panel or Solid Panel
<b>Panel Width</b>	14-5/8" (37.5 cm)
<b>Refrigerant Type</b>	R600a

<b>Sabbath Mode</b>	Yes
<b>Shipping Dimensions</b>	19" W x 31" D x 37" H
<b>Shipping Weight</b>	125 lbs
<b>Temperature Range</b>	34°F to 60°F

For comprehensive installation instructions, including panel overlay details, please visit [marvelrefrigeration.com](http://marvelrefrigeration.com) to access the owner's guide. All specifications are subject to change without notice.



# MLWD224

## 24" DUAL ZONE WINE REFRIGERATOR

### MARVEL CLASSIC COLLECTION



### MAIN FEATURES

- 4.9 cu ft. capacity stores up to 40 bottles of wine
- Upper zone includes three 8-bottle wine racks
- Lower zone includes one 8-bottle rack and two 4-bottle half-depth wine racks
- Accommodates a variety of bottles sizes
- Vibration neutralization system protects wine from agitation
- Dynamic cooling technology delivers rapid cool down, frost-free operation, and temperature stability
- Argon-filled, UV-resistant tinted dual pane glass door options protect contents
- Digital controls allow you to select a temperature for each zone - Upper zone: 38°F to 65°F, Lower zone: 38°F to 65°F (The lower temperature must be equal to or greater than the upper temperature, maximum 20° higher)
- Door ajar and high/low temperature alerts
- Arctic white LED theater-style lighting
- Elegant midnight black interior
- Maple shelf fronts, stainable to match cabinetry
- Reversible door allows for right or left swing
- Panel ready model requires 3/4" or 5/8" custom panel and handle (not supplied by Marvel)

### WARRANTY

- 1-year parts and labor warranty and 5-year sealed system parts warranty (see complete warranty for details)

### FINISH OPTIONS

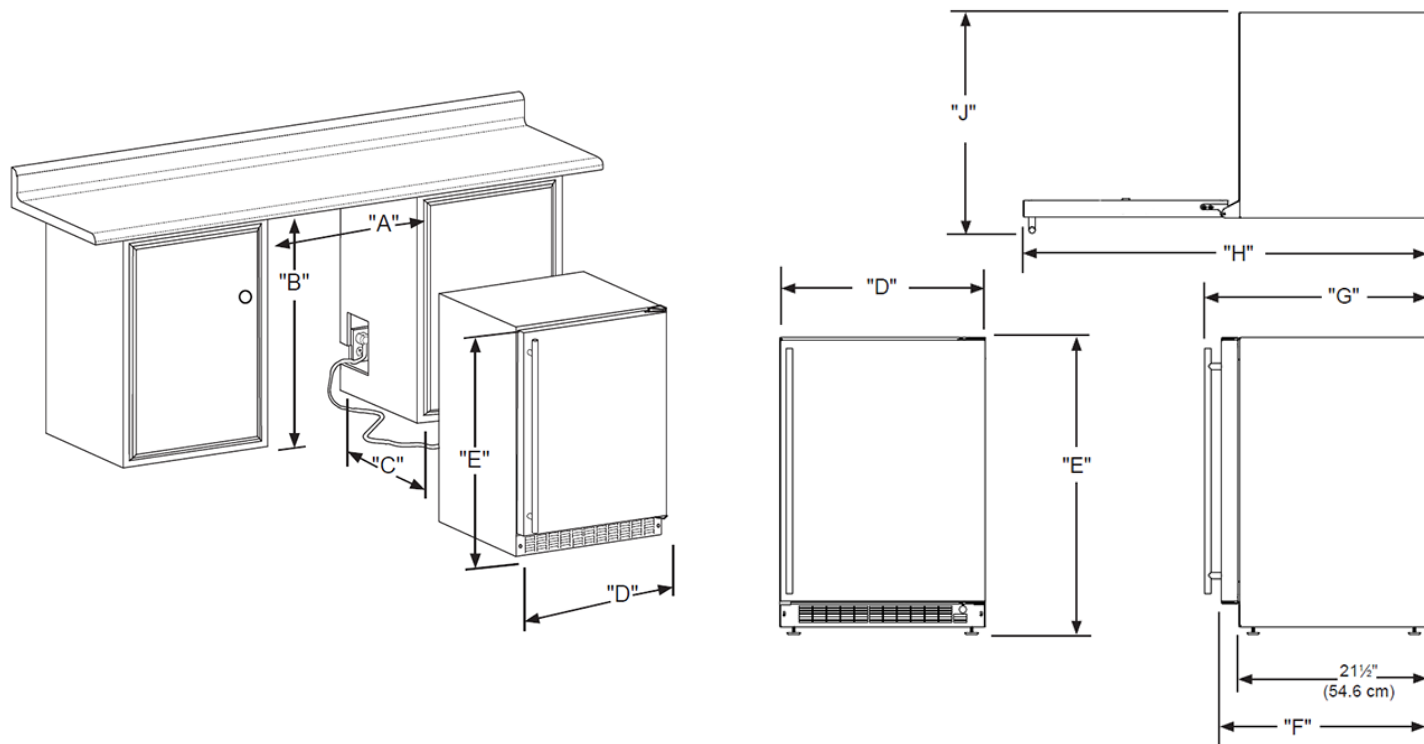


DOOR STYLE	MODEL NUMBER
Stainless Steel Frame Glass	MLWD224-SG01A
Panel Ready Frame Glass	MLWD224-IG01A
Solid Stainless Steel	MLWD224-SS01A
Solid Panel Ready	MLWD224-IS01A





**DIMENSIONAL DRAWINGS**



**ROUGH IN DIMENSIONS\***

"A"	"B"	"C"
24"	34" to 35"	24"
(61 cm)	(86.4 to 88.9 cm)	(61 cm)

**CABINET DIMENSIONS\***

"D"	"E"	"F"	"G"	"H"	"J"
23-7/8"	33-3/4" to 34-3/4"	23-5/8"*	25-1/2*	46-3/8"*	25-3/4"*
(60.7 cm)	(85.7 cm to 88.3 cm)	(60 cm)	(64.8 cm)	(117.8 cm)	(65.4 cm)

\*Stainless steel model dimensions only. For panel-ready models, see the owner's guide online at [marvelrefrigeration.com](http://marvelrefrigeration.com).

**PRODUCT SPECIFICATIONS**

<b>Capacity</b>	4.9 cu. ft.
<b>Cord Length</b>	6 ft.
<b>Electrical Requirements</b>	115V / 60 Hz / 15A
<b>ENERGY STAR</b>	No
<b>Panel Height</b>	29-21/32" (75.3 cm)
<b>Panel Thickness</b>	5/8" (1.6 cm) or 3/4" (1.9 cm)
<b>Panel Type</b>	2-3/4" (7 cm) Frame Panel or Solid Panel
<b>Panel Width</b>	23-5/8" (60 cm)
<b>Refrigerant Type</b>	R600a

<b>Sabbath Mode</b>	Yes
<b>Shipping Dimensions</b>	28" W x 31" D x 37" H
<b>Shipping Weight</b>	160 lbs
<b>Temperature Range</b>	Upper zone: 38°F to 65°F Lower zone: 38°F to 65°F

For comprehensive installation instructions, including panel overlay details, please visit [marvelrefrigeration.com](http://marvelrefrigeration.com) to access the owner's guide. All specifications are subject to change without notice.



# MLWC324

## 24" WINE REFRIGERATOR

### MARVEL CLASSIC COLLECTION



#### MAIN FEATURES

- 5.3 cu ft. capacity stores up to 45 bottles of wine
- Includes five 8-bottle wire wine racks and one 5-bottle gallery wine rack
- Accommodates a variety of bottles sizes
- Vibration neutralization system protects wine from agitation
- Dynamic cooling technology delivers rapid cool down, frost-free operation, and temperature stability
- Argon-filled, UV-resistant tinted dual pane glass door options protect contents
- Digital controls allow you to select a temperature from 34°F to 60°F
- Arctic white LED theater-style lighting
- Elegant midnight black interior
- Maple shelf fronts, stainable to match cabinetry
- Reversible door allows for right or left swing
- Panel ready model requires 3/4" or 5/8" custom panel and handle (not supplied by Marvel)

#### WARRANTY

- 1-year parts and labor warranty and 5-year sealed system parts warranty (see complete warranty for details)

#### FINISH OPTIONS

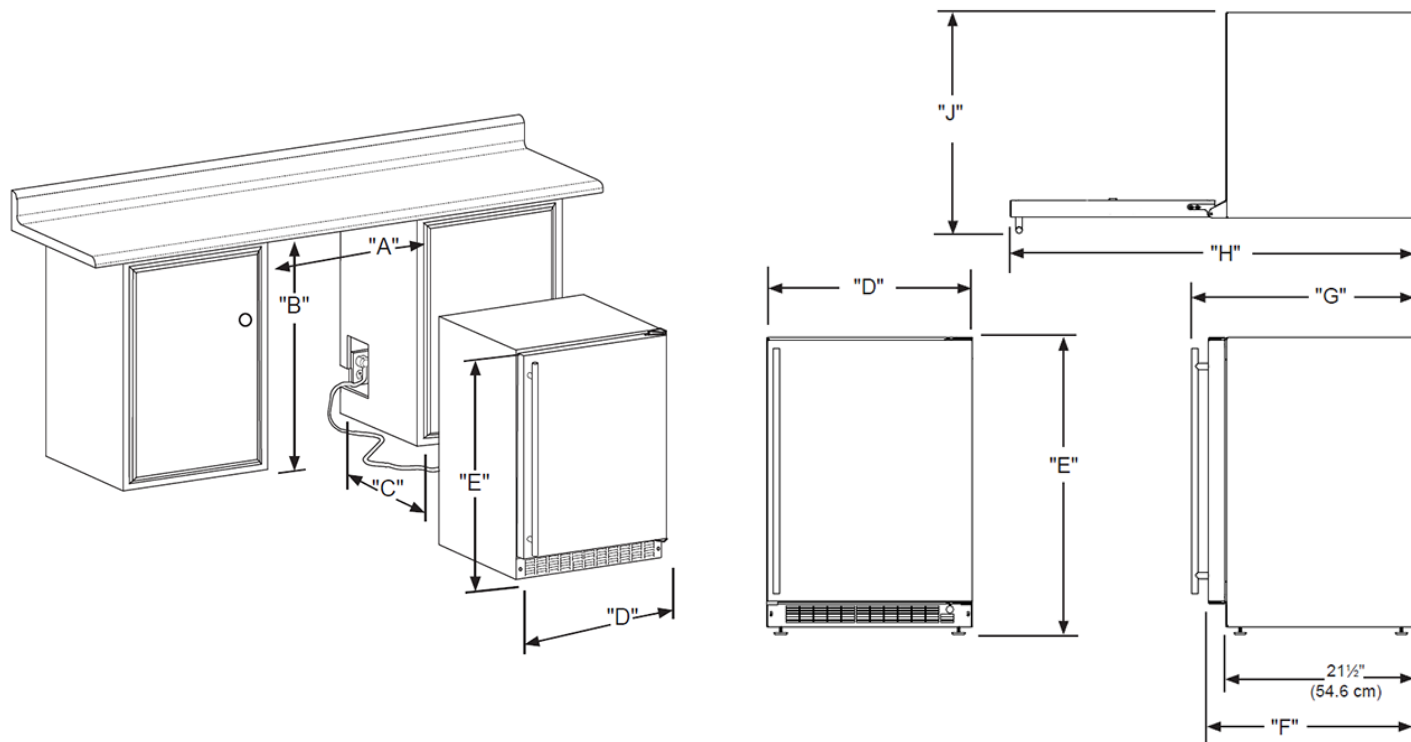


DOOR STYLE	MODEL NUMBER
Stainless Steel Frame Glass	MLWC324-SG01A
Panel Ready Frame Glass	MLWC324-IG01A
Solid Stainless Steel	MLWC324-SS01A
Solid Panel Ready	MLWC324-IS01A





## DIMENSIONAL DRAWINGS



### ROUGH IN DIMENSIONS\*

"A"	"B"	"C"
24"	34" to 35"	24"
(61 cm)	(86.4 to 88.9 cm)	(61 cm)

### CABINET DIMENSIONS\*

"D"	"E"	"F"	"G"	"H"	"J"
23-7/8"	33-3/4" to 34-3/4"	23-5/8"*	25-1/2*	46-3/8"*	25-3/4"*
(60.7 cm)	(85.7 cm to 88.3 cm)	(60 cm)	(64.8 cm)	(117.8 cm)	(65.4 cm)

\*Stainless steel model dimensions only. For panel-ready models, see the owner's guide online at [marvelrefrigeration.com](http://marvelrefrigeration.com).

## PRODUCT SPECIFICATIONS

<b>Capacity</b>	5.3 cu. ft.
<b>Cord Length</b>	6 ft.
<b>Electrical Requirements</b>	115V / 60 Hz / 15A
<b>ENERGY STAR</b>	No
<b>Panel Height</b>	29-21/32" (75.3 cm)
<b>Panel Thickness</b>	5/8" (1.6 cm) or 3/4" (1.9 cm)
<b>Panel Type</b>	2-3/4" (7 cm) Frame Panel or Solid Panel
<b>Panel Width</b>	23-5/8" (60 cm)
<b>Refrigerant Type</b>	R600a

<b>Sabbath Mode</b>	Yes
<b>Shipping Dimensions</b>	28" W x 31" D x 37" H
<b>Shipping Weight</b>	160 lbs
<b>Temperature Range</b>	34°F to 60°F

For comprehensive installation instructions, including panel overlay details, please visit [marvelrefrigeration.com](http://marvelrefrigeration.com) to access the owner's guide. All specifications are subject to change without notice.



# MLWC224

## 24" WINE REFRIGERATOR

### MARVEL CLASSIC COLLECTION



### MAIN FEATURES

- 5.3 cu ft capacity stores up to 27 bottles of wine
- Two 7-bottle gallery display racks, one 8-bottle wine tray and one 5-bottle gallery display rack
- Accommodates a variety of bottle sizes
- Vibration neutralization system protects wine from agitation
- Dynamic cooling technology delivers rapid cool down, frost-free operation, and temperature stability
- Argon-filled, UV-resistant tinted dual pane glass door options protect contents
- Digital controls allow you to select a temperature from 34°F to 60°F
- Door ajar and high/low temperature alerts
- Arctic white LED theater-style lighting
- Elegant midnight black interior
- Maple shelf fronts, stainable to match cabinetry
- Reversible door allows for right or left swing

### WARRANTY

- 1-year parts and labor warranty and 5-year sealed system parts warranty (see complete warranty for details)

### FINISH OPTIONS



#### DOOR STYLE

Stainless Steel Frame Glass

#### MODEL NUMBER

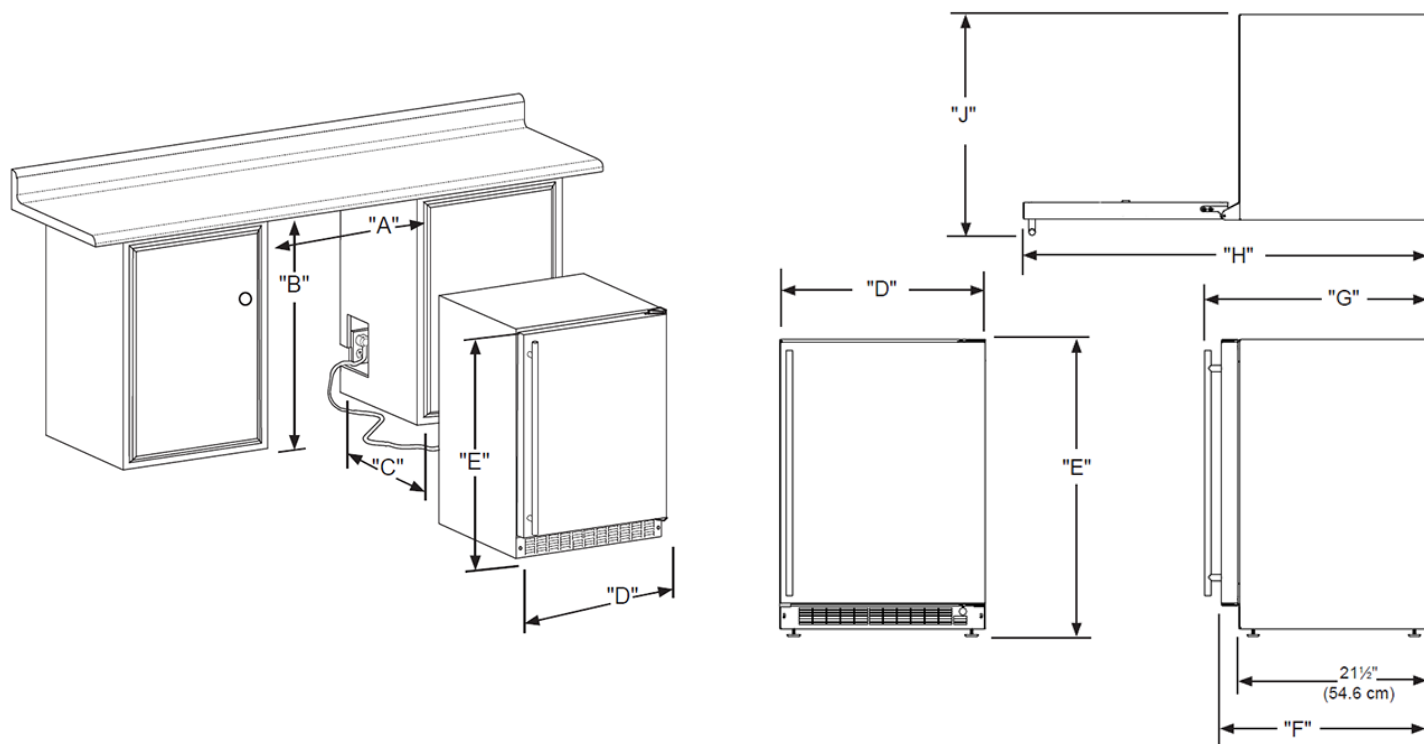
MLWC224-SG01A







**DIMENSIONAL DRAWINGS**



**ROUGH IN DIMENSIONS\***

"A"	"B"	"C"
24"	34" to 35"	24"
(61 cm)	(86.4 to 88.9 cm)	(61 cm)

**CABINET DIMENSIONS\***

"D"	"E"	"F"	"G"	"H"	"J"
23-7/8"	33-3/4" to 34-3/4"	23-5/8"*	25-1/2*	46-3/8"*	25-3/4"*
(60.7 cm)	(85.7 cm to 88.3 cm)	(60 cm)	(64.8 cm)	(117.8 cm)	(65.4 cm)

**PRODUCT SPECIFICATIONS**

<b>Capacity</b>	5.3 cu. ft.
<b>Cord Length</b>	6 ft.
<b>Electrical Requirements</b>	115V / 60 Hz / 15A
<b>ENERGY STAR</b>	No
<b>Refrigerant Type</b>	R600a
<b>Sabbath Mode</b>	Yes
<b>Shipping Dimensions</b>	28" W x 31" D x 37" H
<b>Shipping Weight</b>	160 lbs
<b>Temperature Range</b>	34°F to 60°F

For comprehensive installation instructions, please visit [marvelrefrigeration.com](http://marvelrefrigeration.com) to access the owner's guide. All specifications are subject to change without notice.



# MLWC124

## 24" WINE REFRIGERATOR

### MARVEL CLASSIC COLLECTION



### MAIN FEATURES

- 5.3 cu ft capacity stores up to 54 bottles of wine
- Six 8-bottle glide-out wine racks and one 6-bottle fixed wine cradle
- Accommodates a variety of bottle sizes
- Vibration neutralization system protects wine from agitation
- Dynamic cooling technology delivers rapid cool down, frost-free operation, and temperature stability
- Argon-filled, UV-resistant tinted dual pane glass door options protect contents
- Digital controls allow you to select a temperature from 34°F to 60°F
- Door ajar and high/low temperature alerts
- Arctic white LED theater-style lighting
- Elegant midnight black interior
- Maple shelf fronts, stainable to match cabinetry
- Reversible door allows for right or left swing

### WARRANTY

- 1-year parts and labor warranty and 5-year sealed system parts warranty (see complete warranty for details)

### FINISH OPTIONS



#### DOOR STYLE

Stainless Steel Frame Glass

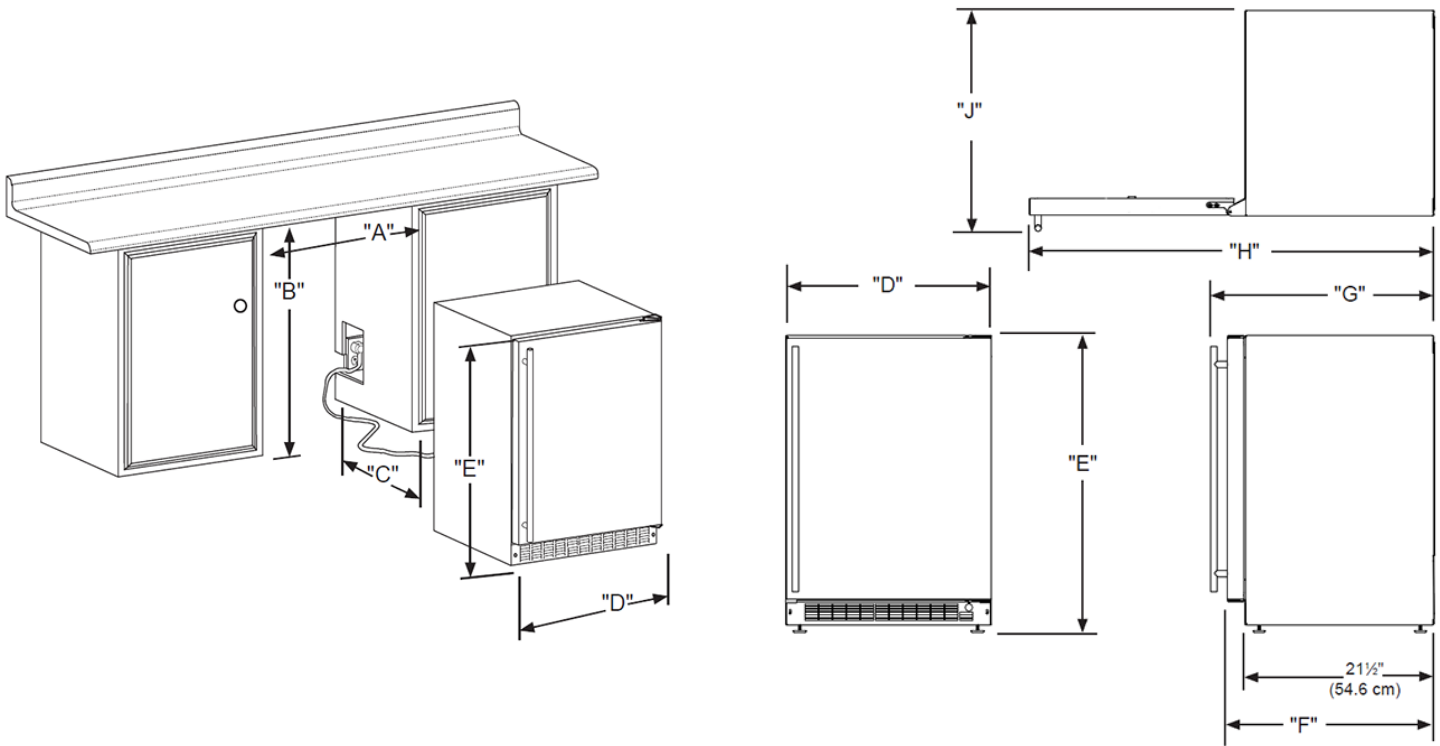
#### MODEL NUMBER

MLWC124-SG01A





**DIMENSIONAL DRAWINGS**



**ROUGH IN DIMENSIONS\***

"A"	"B"	"C"
24"	34" to 35"	24"
(61 cm)	(86.4 to 88.9 cm)	(61 cm)

**CABINET DIMENSIONS\***

"D"	"E"	"F"	"G"	"H"	"J"
23-7/8"	33-3/4" to 34-3/4"	23-5/8"*	25-1/2*	46-3/8"*	25-3/4"*
(60.7 cm)	(85.7 cm to 88.3 cm)	(60 cm)	(64.8 cm)	(117.8 cm)	(65.4 cm)

**PRODUCT SPECIFICATIONS**

<b>Capacity</b>	5.3 cu. ft.
<b>Cord Length</b>	6 ft.
<b>Electrical Requirements</b>	115V / 60 Hz / 15A
<b>ENERGY STAR</b>	No
<b>Refrigerant Type</b>	R600a
<b>Sabbath Mode</b>	Yes
<b>Shipping Dimensions</b>	28" W x 31" D x 37" H
<b>Shipping Weight</b>	160 lbs
<b>Temperature Range</b>	34°F to 60°F

For comprehensive installation instructions, please visit [marvelrefrigeration.com](http://marvelrefrigeration.com) to access the owner's guide. All specifications are subject to change without notice.



# MLWC024

## 24" WINE REFRIGERATOR

### MARVEL CLASSIC COLLECTION



### MAIN FEATURES

- 5.7 cu ft capacity stores up to 38 bottles of wine
- Four 8-bottle wine racks
- Accommodates a variety of bottle sizes
- Vibration neutralization system protects wine from agitation
- Dynamic cooling technology delivers rapid cool down, frost-free operation, and temperature stability
- Argon-filled, UV-resistant tinted dual pane glass door options protect contents
- Digital controls allow you to select a temperature from 34°F to 60°F
- Door ajar and high/low temperature alerts
- Arctic white LED theater-style lighting
- Elegant midnight black interior
- Reversible door allows for right or left swing

### WARRANTY

- 1-year parts and labor warranty and 5-year sealed system parts warranty (see complete warranty for details)

### FINISH OPTIONS

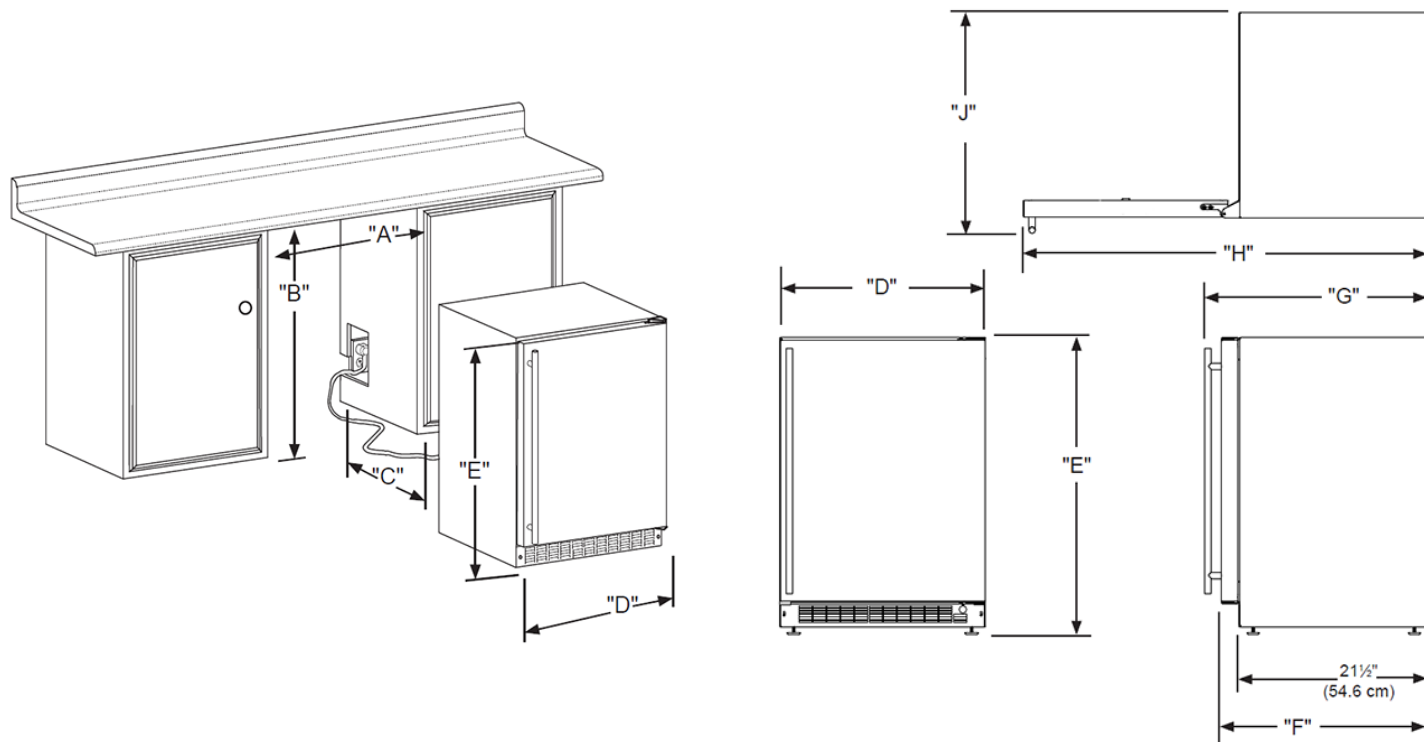


DOOR STYLE	MODEL NUMBER
Stainless Steel Frame Glass	MLWC024-SG01A





## DIMENSIONAL DRAWINGS



### ROUGH IN DIMENSIONS\*

"A"	"B"	"C"
24"	34" to 35"	24"
(61 cm)	(86.4 to 88.9 cm)	(61 cm)

### CABINET DIMENSIONS\*

"D"	"E"	"F"	"G"	"H"	"J"
23-7/8"	33-3/4" to 34-3/4"	23-5/8"*	25-1/2*	46-3/8"*	25-3/4"*
(60.7 cm)	(85.7 cm to 88.3 cm)	(60 cm)	(64.8 cm)	(117.8 cm)	(65.4 cm)

## PRODUCT SPECIFICATIONS

<b>Capacity</b>	5.7 cu. ft.
<b>Cord Length</b>	6 ft.
<b>Electrical Requirements</b>	115V / 60 Hz / 15A
<b>ENERGY STAR</b>	No
<b>Refrigerant Type</b>	R600a
<b>Sabbath Mode</b>	Yes
<b>Shipping Dimensions</b>	28" W x 31" D x 37" H
<b>Shipping Weight</b>	160 lbs
<b>Temperature Range</b>	34°F to 60°F

For comprehensive installation instructions, please visit [marvelrefrigeration.com](http://marvelrefrigeration.com) to access the owner's guide. All specifications are subject to change without notice.



# MLWC215

## 15" WINE REFRIGERATOR



### MARVEL CLASSIC COLLECTION

#### MAIN FEATURES

- 2.7 cu ft. capacity stores up to 24 bottles of wine
- Six 4-bottle wine racks
- Accommodates a variety of bottle sizes
- Dynamic cooling technology delivers rapid cool down, frost-free operation, and temperature stability
- Argon-filled, UV-resistant tinted dual pane glass door options protect contents
- Vibration neutralization system protects wine from agitation
- Digital controls allow you to select a temperature from 34°F to 60°F
- Door ajar and high/low temperature alerts
- Arctic white LED theater-style lighting
- Elegant midnight black interior
- Stainable maple shelf fronts
- Reversible door allows for right or left swing

#### WARRANTY

- 1-year parts and labor warranty and 5-year sealed system parts warranty (see complete warranty for details)

#### FINISH OPTIONS

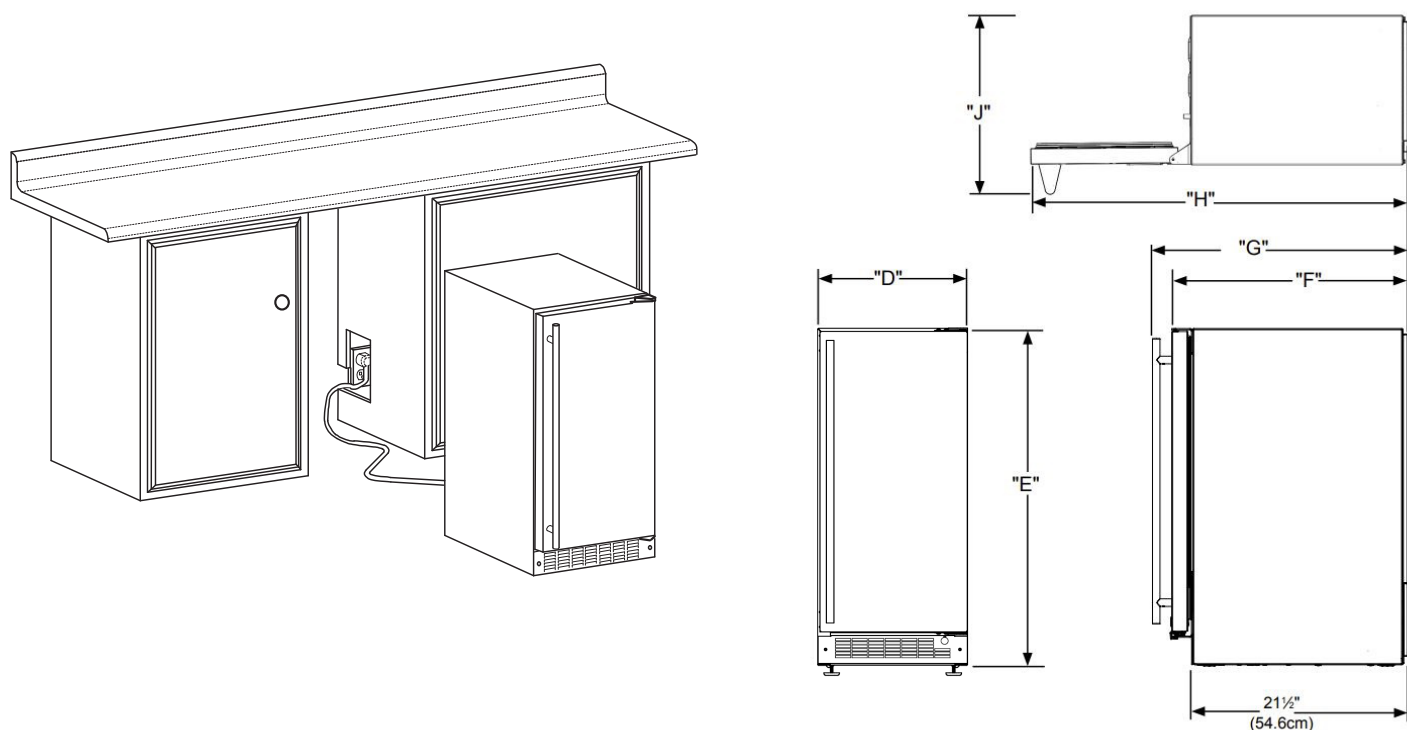


DOOR STYLE	MODEL NUMBER
Stainless Steel Frame Glass	MLWC215-SG01A
Panel Ready Frame Glass	MLWC215-IG01A
Solid Stainless Steel	MLWC215-SS01A
Solid Panel Ready	MLWC215-IS01A





## DIMENSIONAL DRAWINGS



### ROUGH IN DIMENSIONS\*

"A"	"B"	"C"
15"	34" to 35"	24"
(38.1 cm)	(86.4 cm to 88.9 cm)	(61 cm)

### CABINET DIMENSIONS\*

"D"	"E"	"F"	"G"	"H"	"J"
14-7/8"	33-3/4" to 34-3/4"	23-5/8"*	25-1/2"*	37-3/8"*	16-5/8"*
(37.8 cm)	(85.7 cm to 88.3 cm)	(60 cm)	(64.8 cm)	(94.9 cm)	(42.2 cm)

\*Stainless steel model dimensions only. For panel-ready models, see the owner's guide online at [marvelrefrigeration.com](http://marvelrefrigeration.com).

## PRODUCT SPECIFICATIONS

<b>Capacity</b>	2.7 cu. ft.
<b>Cord Length</b>	6 ft.
<b>Electrical Requirements</b>	115V / 60 Hz / 15A
<b>ENERGY STAR</b>	Yes
<b>Panel Height</b>	29-21/32" (75.4 cm)
<b>Panel Thickness</b>	5/8" (1.6 cm) or 3/4" (1.9 cm)
<b>Panel Type</b>	2-3/4" (7 cm) Frame Panel or Solid Panel
<b>Panel Width</b>	14-5/8" (37.6 cm)
<b>Refrigerant Type</b>	R600a

<b>Sabbath Mode</b>	Yes
<b>Shipping Dimensions</b>	19" W x 31" D x 37" H
<b>Shipping Weight</b>	125 lbs
<b>Temperature Range</b>	34°F to 60°F

For comprehensive installation instructions, including panel overlay details, please visit [marvelrefrigeration.com](http://marvelrefrigeration.com) to access the owner's guide. All specifications are subject to change without notice.



# MLWC115

## 15" WINE REFRIGERATOR

### MARVEL CLASSIC COLLECTION



### MAIN FEATURES

- 2.7 cu ft. capacity stores up to 23 bottles of wine
- Five 4-bottle glide out wine racks and one 3-bottle wine cradle
- Accommodates a variety of bottle sizes
- Dynamic cooling technology delivers rapid cool down, frost-free operation, and temperature stability
- Argon-filled, UV-resistant tinted dual pane glass door options protect contents
- Vibration neutralization system protects wine from agitation
- Digital controls allow you to select a temperature from 34°F to 60°F
- Door ajar and high/low temperature alerts
- Arctic white LED theater-style lighting
- Elegant midnight black interior
- Stainable maple shelf fronts
- Reversible door allows for right or left swing

### WARRANTY

- 1-year parts and labor warranty and 5-year sealed system parts warranty (see complete warranty for details)

### FINISH OPTIONS



#### DOOR STYLE

Stainless Steel Frame Glass

#### MODEL NUMBER

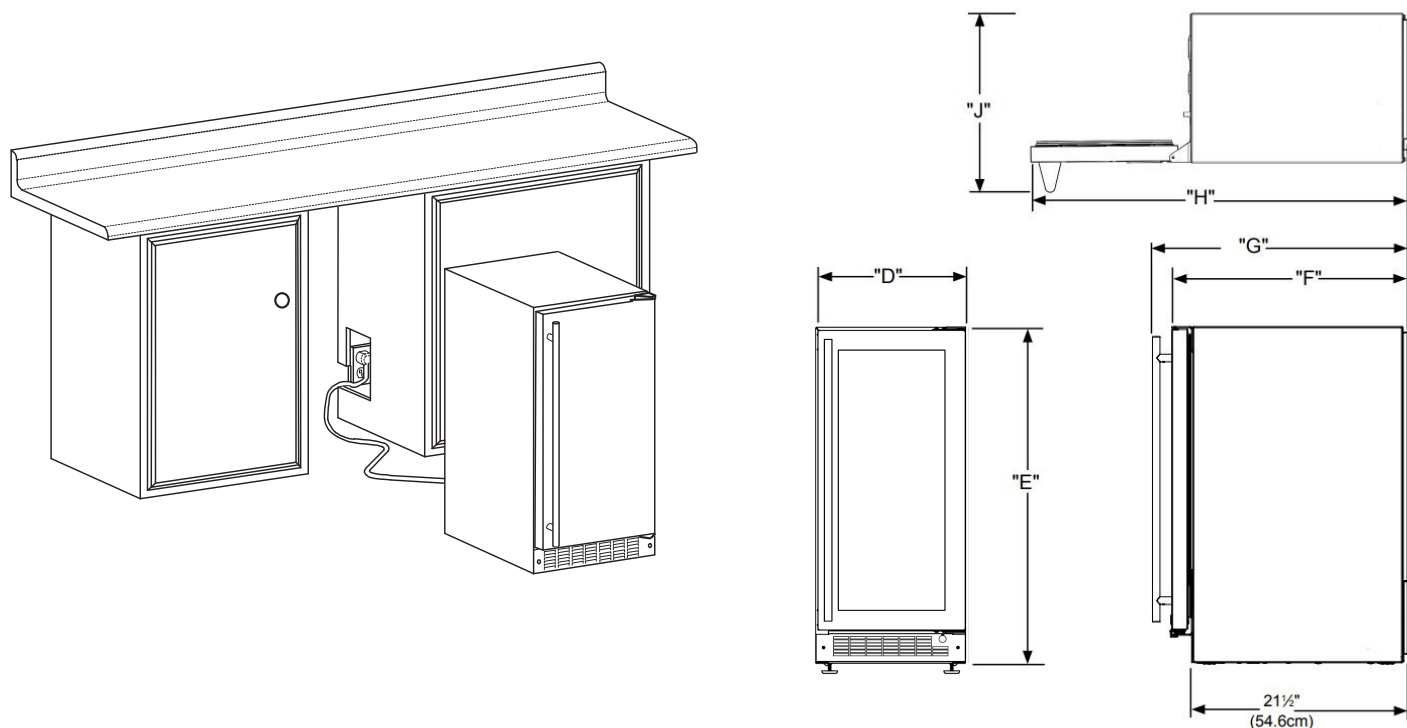
MLWC115-SG01A







## DIMENSIONAL DRAWINGS



### ROUGH IN DIMENSIONS\*

"A"	"B"	"C"
15"	34" to 35"	24"
(38.1 cm)	(86.4 cm to 88.9 cm)	(61 cm)

### CABINET DIMENSIONS\*

"D"	"E"	"F"	"G"	"H"	"J"
14-7/8"	33-3/4" to 34-3/4"	23-5/8"*	25-1/2"*	37-3/8"*	16-5/8"*
(37.8 cm)	(85.7 cm to 88.3 cm)	(60 cm)	(64.8 cm)	(94.9 cm)	(42.2 cm)

## PRODUCT SPECIFICATIONS

<b>Capacity</b>	2.7 cu. ft.
<b>Cord Length</b>	6 ft.
<b>Electrical Requirements</b>	115V / 60 Hz / 15A
<b>ENERGY STAR</b>	Yes
<b>Refrigerant Type</b>	R600a
<b>Sabbath Mode</b>	Yes
<b>Shipping Dimensions</b>	19" W x 31" D x 37" H
<b>Shipping Weight</b>	125 lbs
<b>Temperature Range</b>	34°F to 60°F

For comprehensive installation instructions, please visit [marvelrefrigeration.com](http://marvelrefrigeration.com) to access the owner's guide. All specifications are subject to change without notice.



# MLRE224

## 24" REFRIGERATOR



BrightShield protects against viruses, bacteria, mold and mildew.



### MARVEL CLASSIC COLLECTION

#### MAIN FEATURES

- Models with BrightShield™ antimicrobial lighting create a more hygienic environment for foods and beverages
- 5.3 cu ft. capacity stores up to 162 cans (12-oz) and/or 7 bottles of wine
- 3-in-1 Split Convertible Shelf with removable glass pane converts to wine rack to store a combination of food, beverages or wine
- Half-width shelf allows for tall item storage
- MaxStore bin stores loose items
- Cantilevered shelving system can hold up to 35 lbs and features 11 adjustable heights
- Dynamic cooling technology delivers rapid cool down, frost-free operation, and temperature stability
- Argon-filled, UV-resistant tinted dual pane glass door options protect contents
- Digital controls allow you to select a temperature from 34°F to 60°F
- Door ajar and high/low temperature alerts
- Adjustable LED theater style lighting in arctic white (non-Brightshield models)
- Elegant midnight black interior
- Solid black shelf fronts
- Reversible soft-close door allows for right or left swing
- Panel ready model requires 3/4" or 5/8" custom panel and handle (not supplied by Marvel)

#### WARRANTY

- 1-year parts and labor warranty and 5-year sealed system parts warranty (see complete warranty for details)

#### FINISH OPTIONS



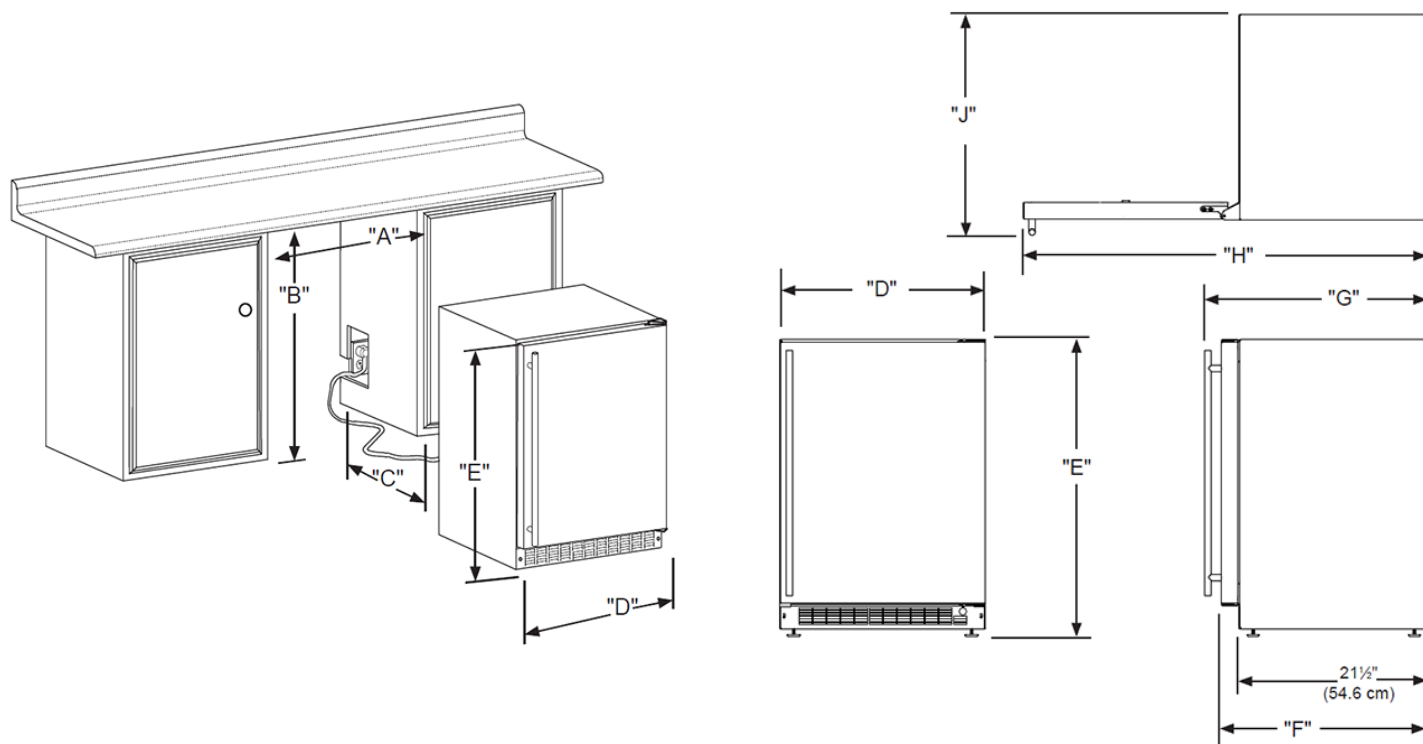
DOOR STYLE	MODEL NUMBER
Stainless Steel Frame Glass	MLRE224-SG01A
Panel Ready Frame Glass	MLRE224-IG01A
Solid Stainless Steel	MLRE224-SS01A
Solid Panel Ready	MLRE224-IS01A
Black Frame Glass	MLRE224-BG01A

BRIGHTSHIELD™ MODELS	MODEL NUMBER
Stainless Steel Frame Glass	MLRE224-SG81A
Panel Ready Frame Glass	MLRE224-IG81A
Solid Stainless Steel	MLRE224-SS81A
Solid Panel Ready	MLRE224-IS81A
Black Frame Glass	MLRE224-BG81A





## DIMENSIONAL DRAWINGS



### ROUGH IN DIMENSIONS\*

"A"	"B"	"C"
24"	34" to 35"	24"
(61 cm)	(86.4 to 88.9 cm)	(61 cm)

### CABINET DIMENSIONS\*

"D"	"E"	"F"	"G"	"H"	"J"
23-7/8"	33-3/4" to 34-3/4"	23-5/8"*	25-1/2*	46-3/8"*	25-3/4"*
(60.7 cm)	(85.7 cm to 88.3 cm)	(60 cm)	(64.8 cm)	(117.8 cm)	(65.4 cm)

\*Stainless steel model dimensions only. For panel-ready models, see the owner's guide online at [marvelrefrigeration.com](http://marvelrefrigeration.com).

## PRODUCT SPECIFICATIONS

<b>Capacity</b>	5.3 cu. ft.
<b>Cord Length</b>	6 ft.
<b>Electrical Requirements</b>	115V / 60 Hz / 15A
<b>ENERGY STAR</b>	Yes
<b>Panel Height</b>	29-21/32" (75.3 cm)
<b>Panel Thickness</b>	5/8" (1.6 cm) or 3/4" (1.9 cm)
<b>Panel Type</b>	2-3/4" (7 cm) Frame Panel or Solid Panel
<b>Panel Width</b>	23-5/8" (60 cm)
<b>Refrigerant Type</b>	R600a

<b>Sabbath Mode</b>	Yes
<b>Shipping Dimensions</b>	28" W x 31" D x 37" H
<b>Shipping Weight</b>	160 lbs
<b>Temperature Range</b>	34°F to 60°F

For comprehensive installation instructions, including panel overlay details, please visit [marvelrefrigeration.com](http://marvelrefrigeration.com) to access the owner's guide. All specifications are subject to change without notice.



# MLRE124

## 24" REFRIGERATOR

### MARVEL CLASSIC COLLECTION



### MAIN FEATURES

- 5.1 cu ft. capacity stores up to 115 cans (12-oz)
- MaxStore bin organizes loose items
- Half-width shelf allows for tall item storage
- Includes 1 cantilevered black steel-framed glass shelf and 1 fixed steel-framed glass shelf
- Cantilevered shelving system can hold up to 35 lbs and features 11 adjustable heights
- Dynamic cooling technology delivers rapid cool down, frost-free operation, and temperature stability
- Digital controls allow you to select a temperature from 34°F to 60°F
- Door ajar and high/low temperature alerts
- Arctic white LED theater-style lighting
- Elegant midnight black interior
- Panel ready model requires 3/4" or 5/8" custom panel and handle (not supplied by Marvel)

### WARRANTY

- 1-year parts and labor warranty and 5-year sealed system parts warranty (see complete warranty for details)

### FINISH OPTIONS

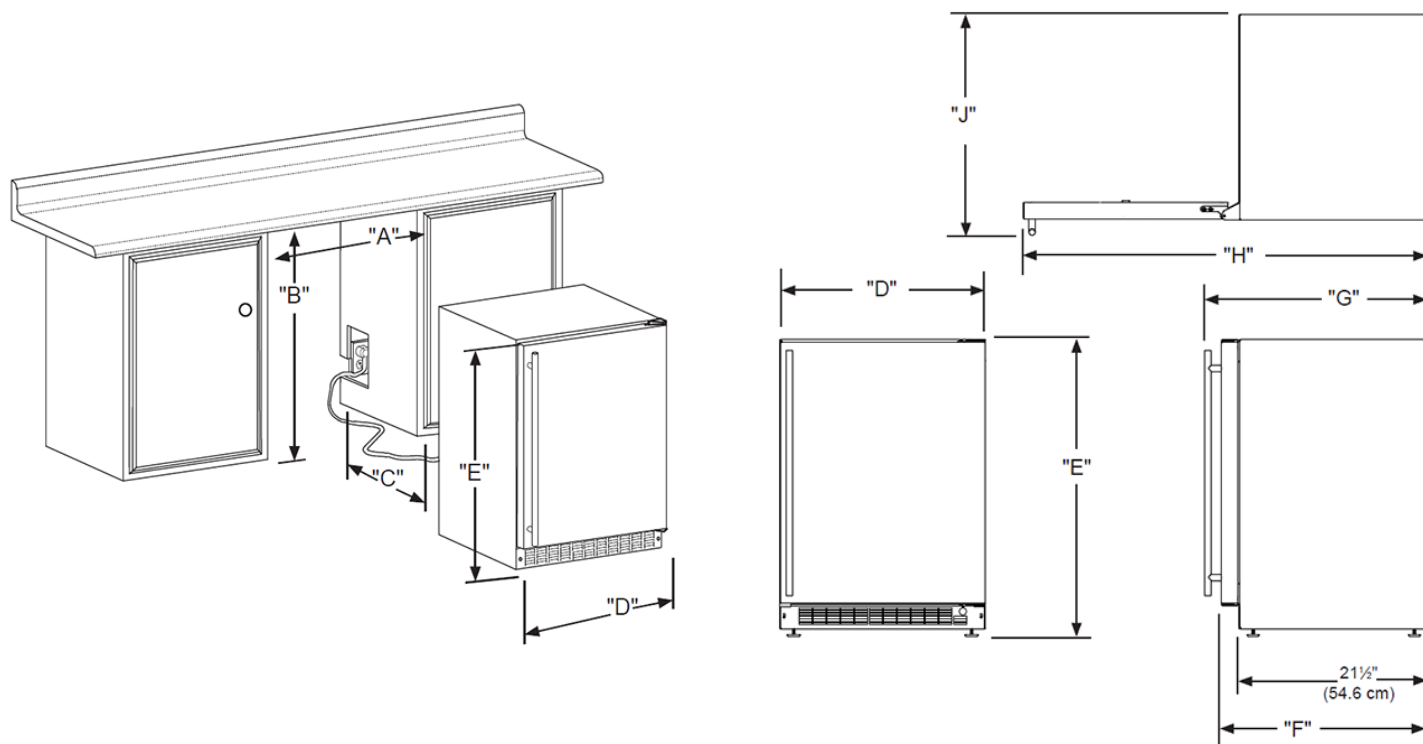


DOOR STYLE	DOOR SWING	MODEL NUMBER
Solid Stainless Steel	Right Hinge	MLRE124-SS11A
Solid Stainless Steel	Left Hinge	MLRE124-SS21A
Solid Panel Ready	Right Hinge	MLRE124-IS11A
Solid Panel Ready	Left Hinge	MLRE124-IS21A





## DIMENSIONAL DRAWINGS



### ROUGH IN DIMENSIONS\*

"A"	"B"	"C"
24"	34" to 35"	24"
(61 cm)	(86.4 to 88.9 cm)	(61 cm)

### CABINET DIMENSIONS\*

"D"	"E"	"F"	"G"	"H"	"J"
23-7/8"	33-3/4" to 34-3/4"	23-5/8"*	25-1/2*	46-3/8"*	25-3/4"*
(60.7 cm)	(85.7 cm to 88.3 cm)	(60 cm)	(64.8 cm)	(117.8 cm)	(65.4 cm)

\*Stainless steel model dimensions only. For panel-ready models, see the owner's guide online at [marvelrefrigeration.com](http://marvelrefrigeration.com).

## PRODUCT SPECIFICATIONS

<b>Capacity</b>	5.1 cu. ft.
<b>Cord Length</b>	6 ft.
<b>Electrical Requirements</b>	115V / 60 Hz / 15A
<b>ENERGY STAR</b>	Yes
<b>Panel Height</b>	29-21/32" (75.3 cm)
<b>Panel Thickness</b>	5/8" (1.6 cm) or 3/4" (1.9 cm)
<b>Panel Type</b>	2-3/4" (7 cm) Solid Panel
<b>Panel Width</b>	23-5/8" (60 cm)
<b>Refrigerant Type</b>	R600a

<b>Sabbath Mode</b>	Yes
<b>Shipping Dimensions</b>	28" W x 31" D x 37" H
<b>Shipping Weight</b>	160 lbs
<b>Temperature Range</b>	34°F to 60°F

For comprehensive installation instructions, including panel overlay details, please visit [marvelrefrigeration.com](http://marvelrefrigeration.com) to access the owner's guide. All specifications are subject to change without notice.



# MLRE024

## 24" REFRIGERATOR

### MARVEL CLASSIC COLLECTION



### MAIN FEATURES

- 5.3 cu ft capacity stores up to 190 cans (12-oz)
- Includes 2 cantilevered steel shelves
- Cantilevered shelving system can hold up to 35 lbs and features 11 adjustable heights
- Dynamic cooling technology delivers rapid cool down, frost-free operation, and temperature stability
- Digital controls allow you to select a temperature from 34°F to 60°F
- Door ajar and high/low temperature alerts
- Arctic white LED theater-style lighting
- Elegant midnight black interior
- Reversible door allows for right or left swing

### WARRANTY

- 1-year parts and labor warranty and 5-year sealed system parts warranty (see complete warranty for details)

### FINISH OPTIONS

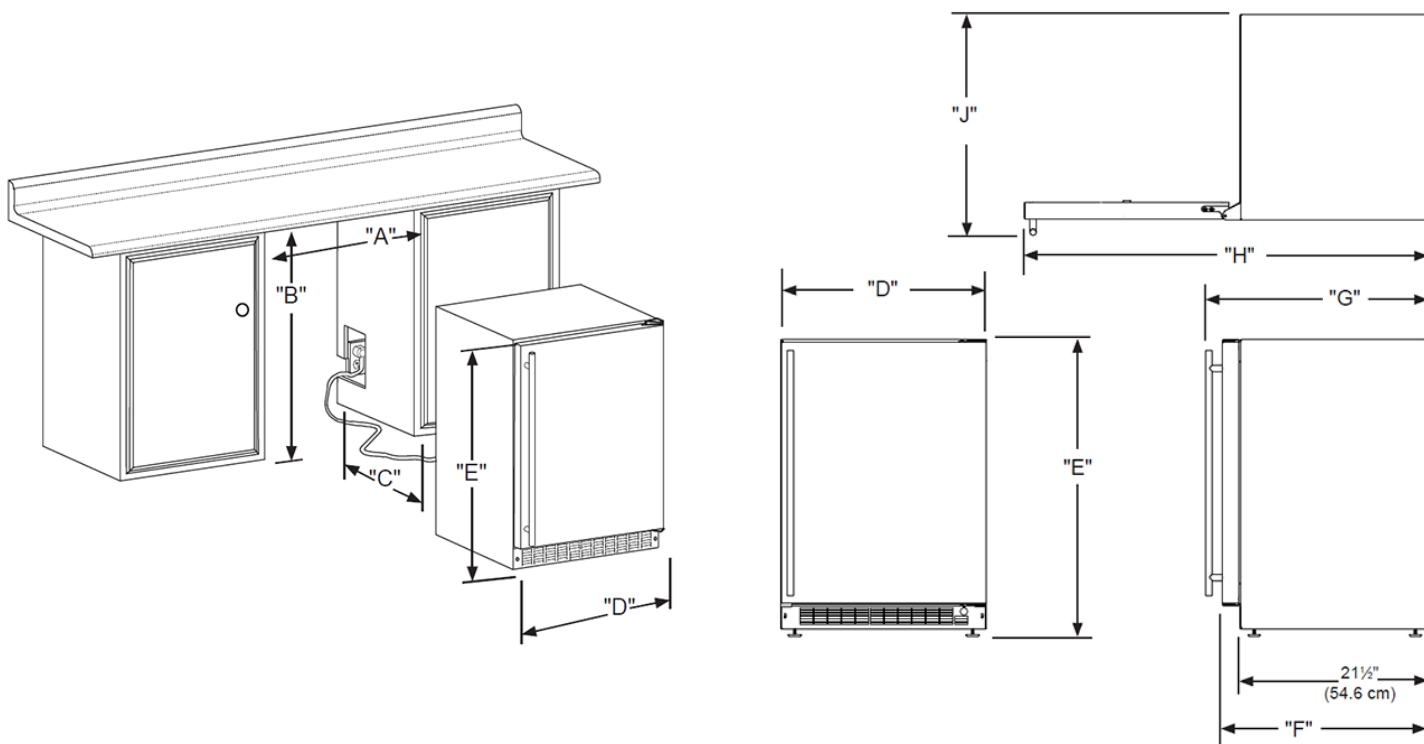


DOOR STYLE	MODEL NUMBER
Solid Stainless Steel	MLRE024-SS01A





## DIMENSIONAL DRAWINGS



### ROUGH IN DIMENSIONS\*

"A"	"B"	"C"
24"	34" to 35"	24"
(61 cm)	(86.4 to 88.9 cm)	(61 cm)

### CABINET DIMENSIONS\*

"D"	"E"	"F"	"G"	"H"	"J"
23-7/8"	33-3/4" to 34-3/4"	23-5/8"*	25-1/2"	46-3/8"*	25-3/4"*
(60.7 cm)	(85.7 cm to 88.3 cm)	(60 cm)	(64.8 cm)	(117.8 cm)	(65.4 cm)

## PRODUCT SPECIFICATIONS

<b>Capacity</b>	5.3 cu. ft.
<b>Cord Length</b>	6 ft.
<b>Electrical Requirements</b>	115V / 60 Hz / 15A
<b>ENERGY STAR</b>	Yes
<b>Refrigerant Type</b>	R600a
<b>Sabbath Mode</b>	Yes
<b>Shipping Dimensions</b>	28" W x 31" D x 37" H
<b>Shipping Weight</b>	160 lbs
<b>Temperature Range</b>	34°F to 60°F

For comprehensive installation instructions, please visit [marvelrefrigeration.com](http://marvelrefrigeration.com) to access the owner's guide. All specifications are subject to change without notice.



# MLRE215

## 15" REFRIGERATOR



### MARVEL CLASSIC COLLECTION

#### MAIN FEATURES

- 2.7 cu ft. capacity stores up to 72 cans (12-oz)
- Includes 2 cantilevered black steel-framed glass shelves
- Cantilevered shelving system can hold up to 35 lbs and features 11 adjustable heights
- Dynamic cooling technology delivers rapid cool down, frost-free operation, and temperature stability
- Argon-filled, UV-resistant tinted dual pane glass door options protect contents
- Digital controls allow you to select a temperature from 34°F to 60°F
- Door ajar and high/low temperature alerts
- Arctic white LED theater-style lighting
- Elegant midnight black interior
- Reversible door allows for right or left swing

#### WARRANTY

- 1-year parts and labor warranty and 5-year sealed system parts warranty (see complete warranty for details)

#### FINISH OPTIONS



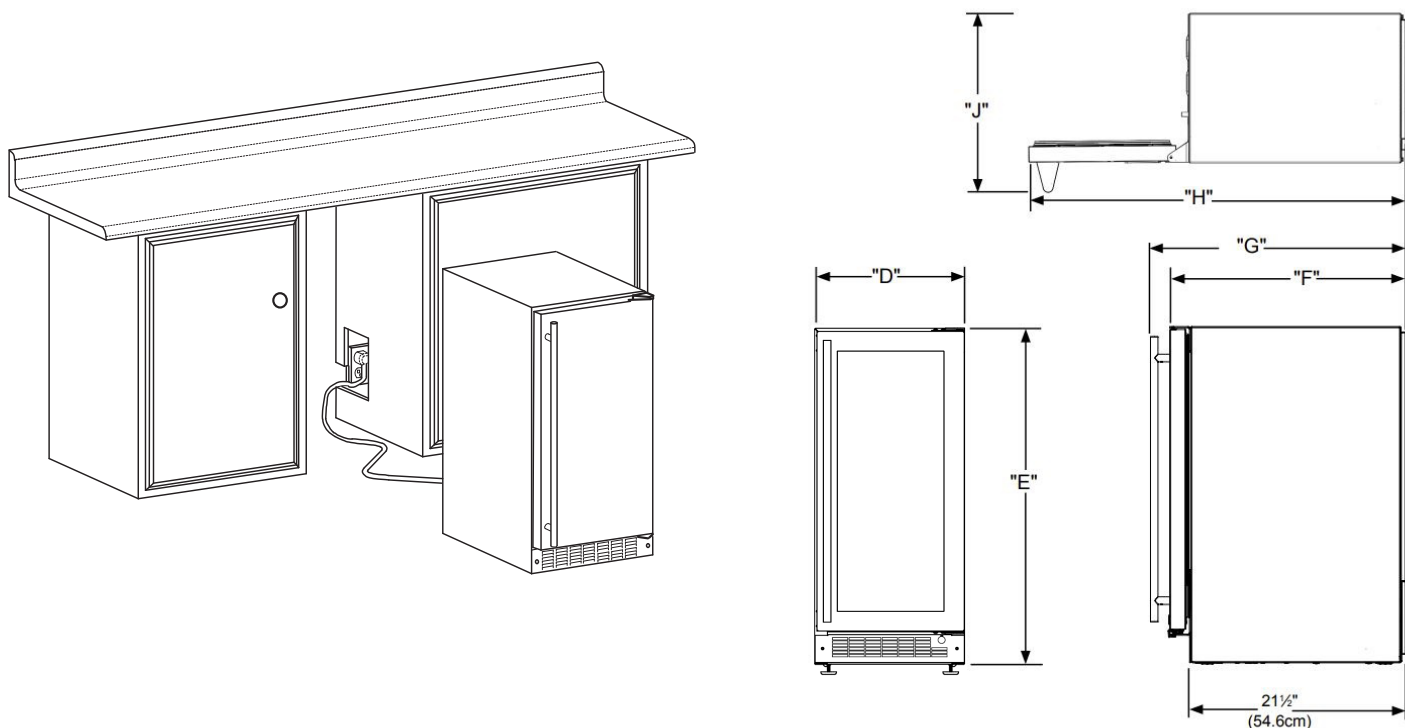
DOOR STYLE	MODEL NUMBER
Stainless Steel Frame Glass	MLRE215-SG01A
Panel Ready Frame Glass	MLRE215-IG01A
Solid Stainless Steel	MLRE215-SS01A
Solid Panel Ready	MLRE215-IS01A







## DIMENSIONAL DRAWINGS



### ROUGH IN DIMENSIONS\*

"A"	"B"	"C"
15"	34" to 35"	24"
(38.1 cm)	(86.4 cm to 88.9 cm)	(61 cm)

### CABINET DIMENSIONS\*

"D"	"E"	"F"	"G"	"H"	"J"
14-7/8"	33-3/4" to 34-3/4"	23-5/8"*	25-1/2"*	37-3/8"*	16-5/8"*
(37.8 cm)	(85.7 cm to 88.3 cm)	(60 cm)	(64.8 cm)	(94.9 cm)	(42.2 cm)

\*Stainless steel model dimensions only. For panel-ready models, see the owner's guide online at [marvelrefrigeration.com](http://marvelrefrigeration.com).

## PRODUCT SPECIFICATIONS

<b>Capacity</b>	2.7 cu. ft.
<b>Cord Length</b>	6 ft.
<b>Electrical Requirements</b>	115V / 60 Hz / 15A
<b>ENERGY STAR</b>	Yes
<b>Panel Height</b>	29-21/32" (75.4 cm)
<b>Panel Thickness</b>	5/8" (1.6 cm) or 3/4" (1.9 cm)
<b>Panel Type</b>	2-3/4" (7 cm) Frame Panel or Solid Panel
<b>Panel Width</b>	14-5/8" (37.6 cm)
<b>Refrigerant Type</b>	R600a

<b>Sabbath Mode</b>	Yes
<b>Shipping Dimensions</b>	19" W x 31" D x 37" H
<b>Shipping Weight</b>	125 lbs
<b>Temperature Range</b>	34°F to 60°F

For comprehensive installation instructions, including panel overlay details, please visit [marvelrefrigeration.com](http://marvelrefrigeration.com) to access the owner's guide. All specifications are subject to change without notice.



# MLDR224

## 24" REFRIGERATED DRAWERS

### MARVEL CLASSIC COLLECTION



### MAIN FEATURES

- 5.0 cu ft. capacity stores up to 108 cans (12-oz)
- Adjustable divider included in top drawer to organize and secure contents
- Dynamic cooling technology delivers rapid cool down, frost-free operation, and temperature stability
- Digital controls allow you to select a temperature from 34°F to 60°F
- Door ajar and high/low temperature alerts
- Arctic white LED theater-style lighting
- Arctic white interior
- Panel ready model requires 3/4" or 5/8" custom panel and handle (not supplied by Marvel)

### WARRANTY

- 1-year parts and labor warranty and 5-year sealed system parts warranty (see complete warranty for details)

### FINISH OPTIONS

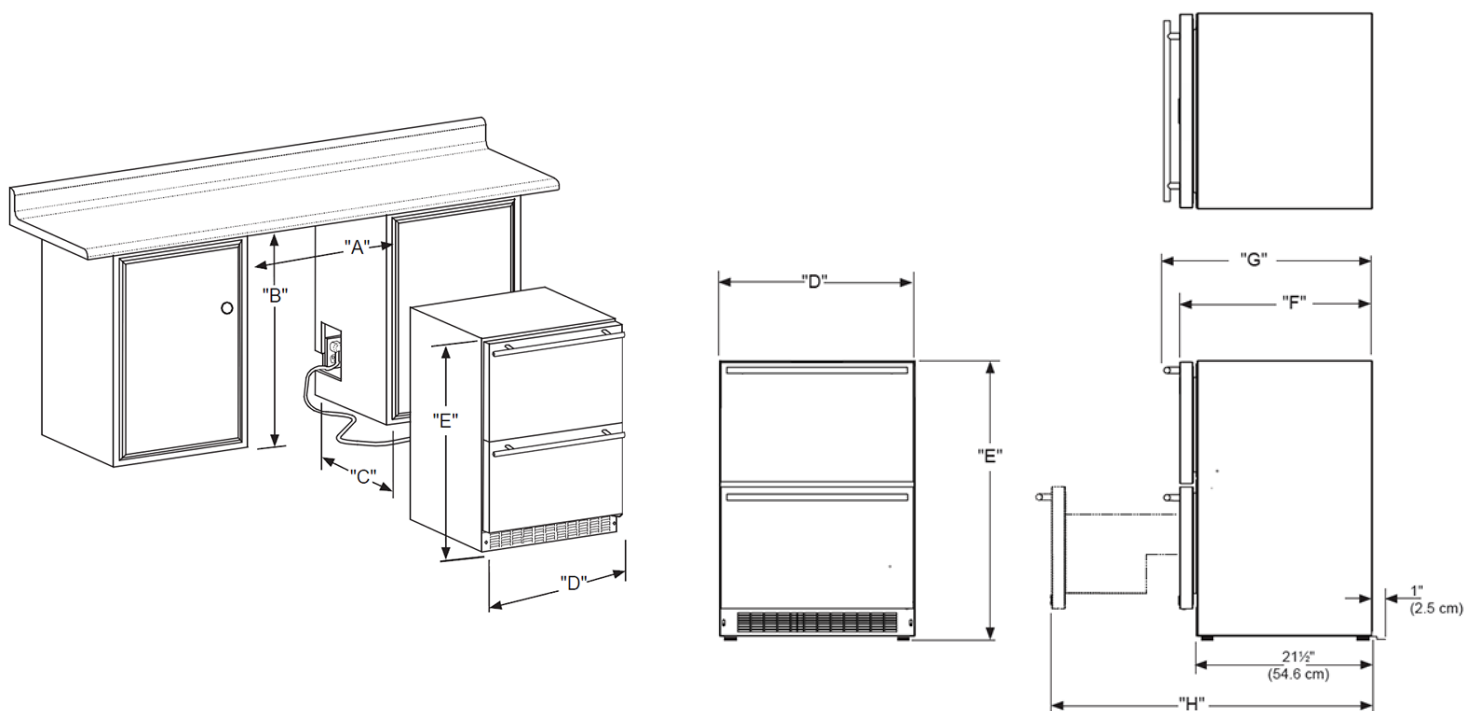


DOOR STYLE	MODEL NUMBER
Solid Stainless Steel	MLDR224-SS61A
Solid Panel Ready	MLDR224-IS61A





## DIMENSIONAL DRAWINGS



### ROUGH IN DIMENSIONS\*

"A"	"B"	"C"
24"	34" to 35"	24"
(61 cm)	(86.4 cm to 88.9 cm)	(61 cm)

### CABINET DIMENSIONS\*

"D"	"E"	"F"	"G"	"H"	"J"
23-7/8"	33-3/4" to 34-3/4"	23-5/8"*	25-1/2*	39"*	40-7/8"*
(60.6 cm)	(85.7 cm to 88.3 cm)	(60 cm)	(64.8 cm)	(99.1 cm)	(103.8 cm)

\*Stainless steel model dimensions only. For panel-ready models, see the owner's guide online at [marvelrefrigeration.com](http://marvelrefrigeration.com).

## PRODUCT SPECIFICATIONS

<b>Capacity</b>	5.0 cu. ft.
<b>Cord Length</b>	6 ft.
<b>Electrical Requirements</b>	115V / 60 Hz / 15A
<b>ENERGY STAR</b>	Yes
<b>Panel Height</b>	14-29/32" (37.9 cm)
<b>Panel Thickness</b>	5/8" (1.6 cm) or 3/4" (1.9 cm)
<b>Panel Type</b>	2-3/4" (7 cm) Solid Panel
<b>Panel Width</b>	23-5/8" (60 cm)
<b>Refrigerant Type</b>	R600a

<b>Sabbath Mode</b>	Yes
<b>Shipping Dimensions</b>	28" W x 31" D x 37" H
<b>Shipping Weight</b>	160 lbs
<b>Temperature Range</b>	34°F to 60°F

For comprehensive installation instructions, including panel overlay details, please visit [marvelrefrigeration.com](http://marvelrefrigeration.com) to access the owner's guide. All specifications are subject to change without notice.



# MLRF224

## 24" REFRIGERATOR-FREEZER

### MARVEL CLASSIC COLLECTION



#### MAIN FEATURES

- 3.9 cu ft. capacity stores up to 72 cans (12-oz)
- 1 cu ft. freezer can store up to 12 pints of ice cream
- MaxStore bin organizes loose items
- Includes 2 half-width cantilevered steel-framed glass shelves and 1 full-width fixed steel-framed glass shelf
- Dynamic cooling technology delivers rapid cool down, frost-free operation, and temperature stability
- Digital controls allow you to select a temperature for both the refrigerator and the freezer - Refrigerator: 34°F to 42°F, Freezer: 0°F to 5°F
- Door ajar and high/low temperature alerts
- Arctic white LED theater-style lighting
- Arctic white interior
- Reversible door allows for right or left swing
- Panel ready model requires 3/4" or 5/8" custom panel and handle (not supplied by Marvel)

#### WARRANTY

- 1-year parts and labor warranty and 5-year sealed system parts warranty (see complete warranty for details)

#### FINISH OPTIONS



##### DOOR STYLE

Solid Stainless Steel

Solid Panel Ready

##### MODEL NUMBER

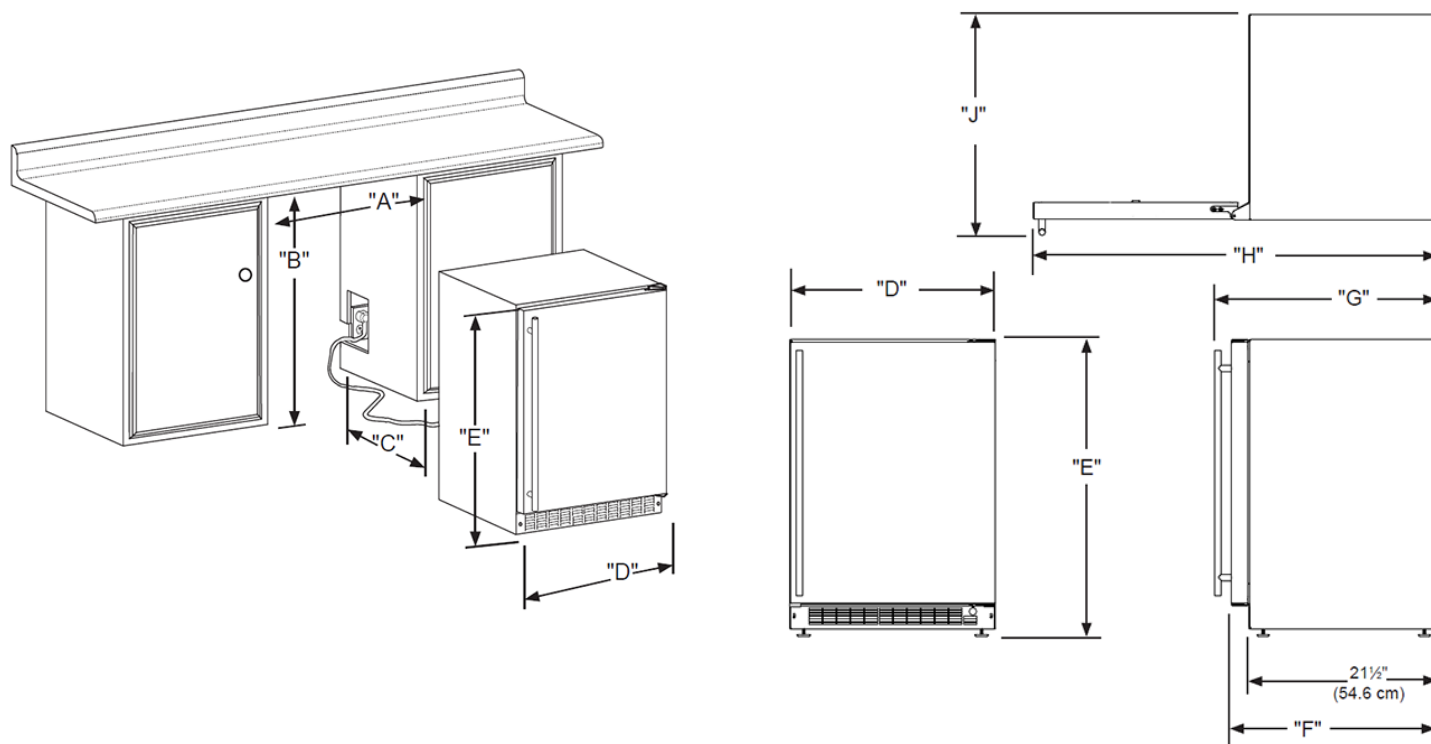
MLRF224-SS01A

MLRF224-IS01A





## DIMENSIONAL DRAWINGS



### ROUGH IN DIMENSIONS\*

"A"	"B"	"C"
24"	34" to 35"	24"
(61 cm)	(86.4 to 88.9 cm)	(61 cm)

### CABINET DIMENSIONS\*

"D"	"E"	"F"	"G"	"H"	"J"
23-7/8"	33-3/4" to 34-3/4"	23-5/8"*	25-1/2"	46-3/8"*	25-3/4"*
(60.7 cm)	(85.7 cm to 88.3 cm)	(60 cm)	(64.8 cm)	(117.8 cm)	(65.4 cm)

\*Stainless steel model dimensions only. For panel-ready models, see the owner's guide online at [marvelrefrigeration.com](http://marvelrefrigeration.com).

## PRODUCT SPECIFICATIONS

<b>Capacity</b>	4.9 cu. ft.
<b>Cord Length</b>	6 ft.
<b>Electrical Requirements</b>	115V / 60 Hz / 15A
<b>ENERGY STAR</b>	Yes
<b>Panel Height</b>	29-21/32" (75.3 cm)
<b>Panel Thickness</b>	5/8" (1.6 cm) or 3/4" (1.9 cm)
<b>Panel Type</b>	2-3/4" (7 cm) Solid Panel
<b>Panel Width</b>	23-5/8" (60 cm)
<b>Refrigerant Type</b>	R600a

<b>Sabbath Mode</b>	Yes
<b>Shipping Dimensions</b>	28" W x 31" D x 37" H
<b>Shipping Weight</b>	160 lbs
<b>Temperature Range</b>	Refrigerator: 34°F to 42°F Freezer: 0°F to 5°F

For comprehensive installation instructions, including panel overlay details, please visit [marvelrefrigeration.com](http://marvelrefrigeration.com) to access the owner's guide. All specifications are subject to change without notice.



# MLRI224

## 24" REFRIGERATOR WITH CRESCENT ICE MAKER

### MARVEL CLASSIC COLLECTION



### MAIN FEATURES

- 3.9 cu ft. capacity stores up to 72 cans (12-oz)
- Crescent ice maker produces up to 7 lbs of ice per day and stores up to 13 lbs of ice
- MaxStore bin organizes loose items
- Includes 2 half-width cantilevered steel-framed glass shelves and 1 full-width fixed steel-framed glass shelf
- Dynamic cooling technology delivers rapid cool down, frost-free operation, and temperature stability
- Digital controls allow you to select a temperature from 34°F to 42°F
- Door ajar and high/low temperature alerts
- Arctic white LED theater-style lighting
- Arctic white interior
- Reversible door allows for right or left swing
- Panel ready model requires 3/4" or 5/8" custom panel and handle (not supplied by Marvel)

### WARRANTY

- 1-year parts and labor warranty and 5-year sealed system parts warranty (see complete warranty for details)

### FINISH OPTIONS



#### DOOR STYLE

Solid Stainless Steel

Solid Panel Ready

#### MODEL NUMBER

MLRI224-SS01A

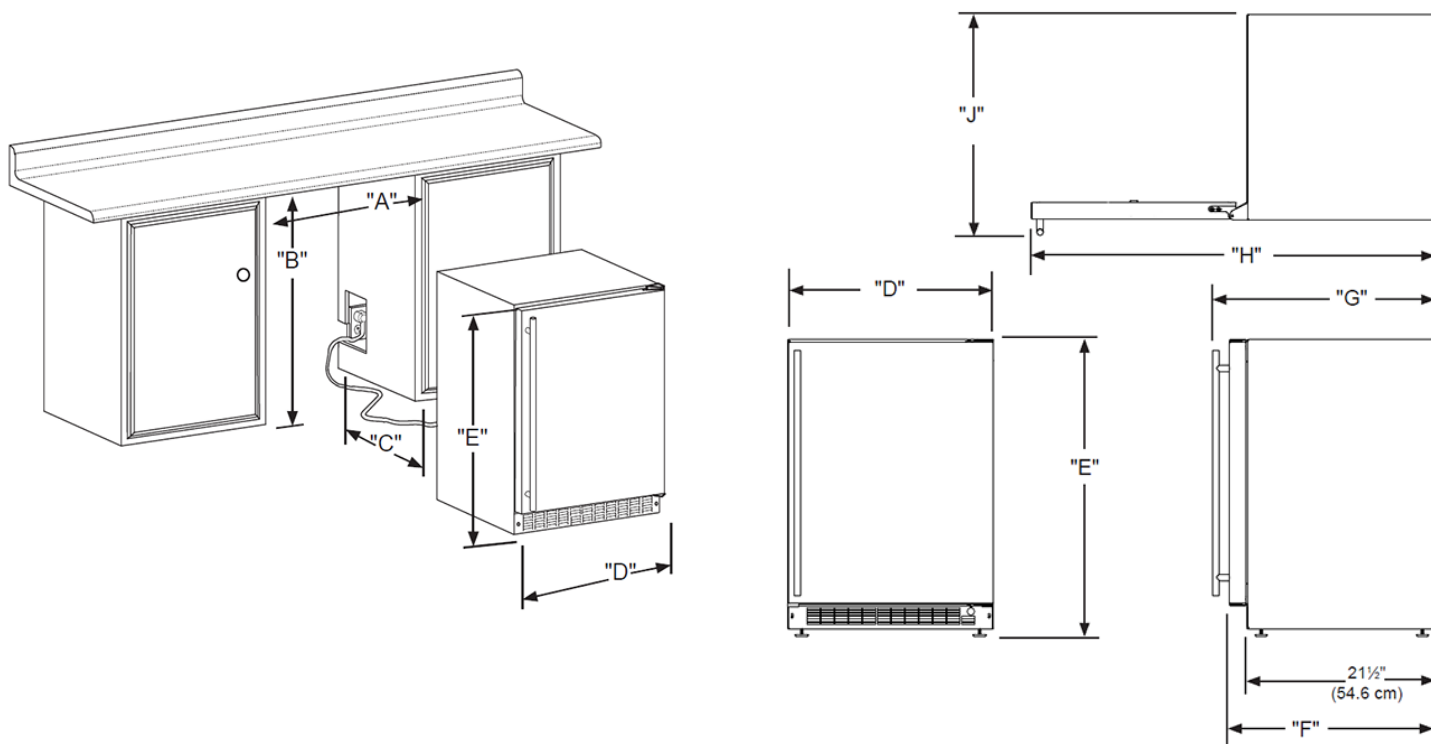
MLRI224-IS01A



## 24" REFRIGERATOR WITH CRESCENT ICE MAKER



### DIMENSIONAL DRAWINGS



#### ROUGH IN DIMENSIONS\*

"A"	"B"	"C"
24"	34" to 35"	24"
(61 cm)	(86.4 to 88.9 cm)	(61 cm)

#### CABINET DIMENSIONS\*

"D"	"E"	"F"	"G"	"H"	"J"
23-7/8"	33-3/4" to 34-3/4"	23-5/8"*	25-1/2*	46-3/8"*	25-3/4"*
(60.7 cm)	(85.7 cm to 88.3 cm)	(60 cm)	(64.8 cm)	(117.8 cm)	(65.4 cm)

\*Stainless steel model dimensions only. For panel-ready models, see the owner's guide online at [marvelrefrigeration.com](http://marvelrefrigeration.com).

### PRODUCT SPECIFICATIONS

<b>Capacity</b>	4.9 cu. ft.
<b>Cord Length</b>	6 ft.
<b>Electrical Requirements</b>	115V / 60 Hz / 15A
<b>ENERGY STAR</b>	Yes
<b>Panel Height</b>	29-21/32" (75.3 cm)
<b>Panel Thickness</b>	5/8" (1.6 cm) or 3/4" (1.9 cm)
<b>Panel Type</b>	2-3/4" (7 cm) Frame Panel or Solid Panel
<b>Panel Width</b>	23-5/8" (60 cm)
<b>Refrigerant Type</b>	R600a

<b>Sabbath Mode</b>	Yes
<b>Shipping Dimensions</b>	28" W x 31" D x 37" H
<b>Shipping Weight</b>	160 lbs
<b>Temperature Range</b>	34°F to 42°F

For comprehensive installation instructions, including panel overlay details, please visit [marvelrefrigeration.com](http://marvelrefrigeration.com) to access the owner's guide. All specifications are subject to change without notice.



# MLFZ224

## 24" FREEZER



### MARVEL CLASSIC COLLECTION

#### MAIN FEATURES

- 4.9 cu ft. capacity
- Includes 2 chrome wire bins
- Also includes one cantilevered stainless steel shelf
- Dynamic cooling technology delivers rapid cool down and temperature stability
- Digital controls allow you to select a temperature from -10°F to 10°F
- Door ajar and high/low temperature alerts
- Arctic white LED theater-style lighting
- Arctic white interior
- Reversible door allows for right or left swing
- Panel ready model requires 3/4" or 5/8" custom panel and handle (not supplied by Marvel)

#### WARRANTY

- 1-year parts and labor warranty and 5-year sealed system parts warranty (see complete warranty for details)

#### FINISH OPTIONS



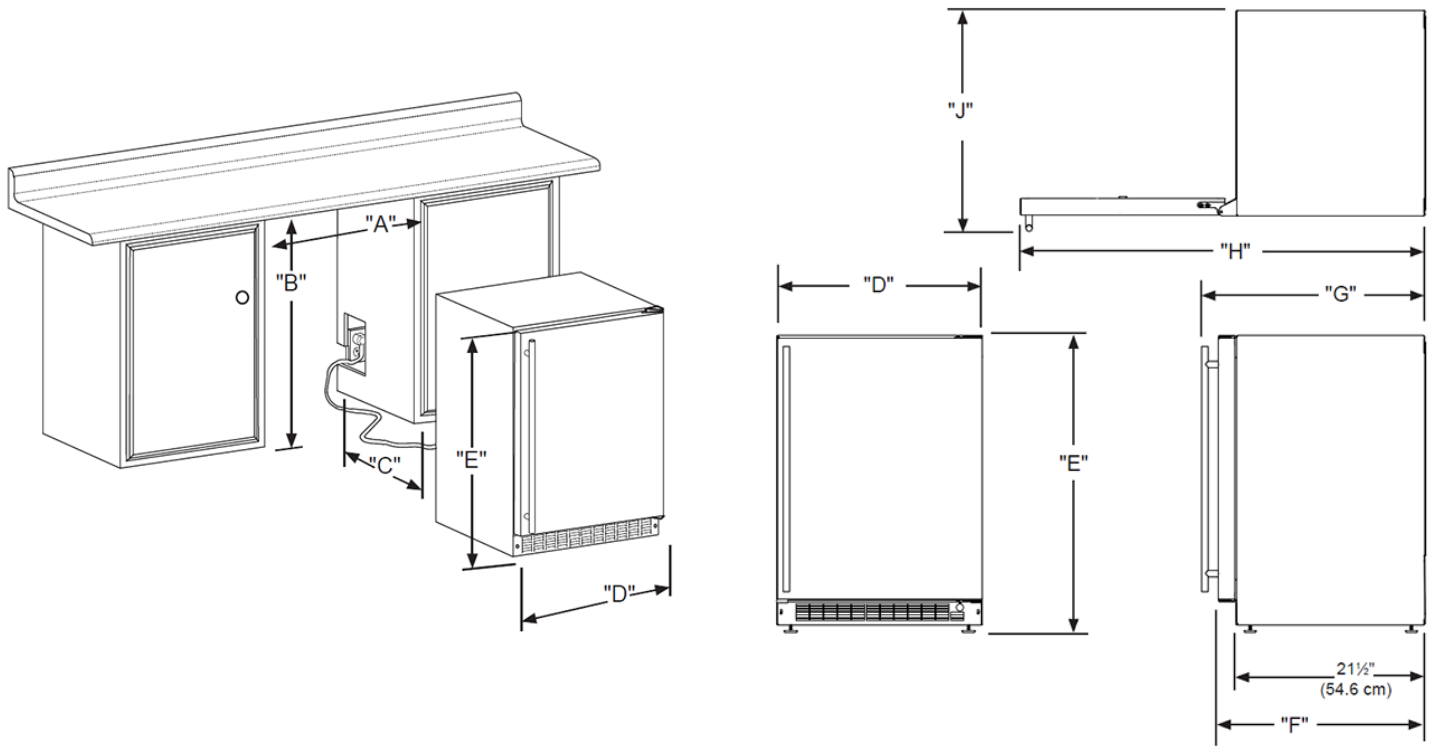
DOOR STYLE	MODEL NUMBER
Solid Stainless Steel	MLFZ224-SS01A
Solid Panel Ready	MLFZ224-IS01A







**DIMENSIONAL DRAWINGS**



**ROUGH IN DIMENSIONS\***

"A"	"B"	"C"
24"	34" to 35"	24"
(61 cm)	(86.4 to 88.9 cm)	(61 cm)

**CABINET DIMENSIONS\***

"D"	"E"	"F"	"G"	"H"	"J"
23-7/8"	33-3/4" to 34-3/4"	23-5/8"*	25-1/2*	46-3/8"*	25-3/4"*
(60.7 cm)	(85.7 cm to 88.3 cm)	(60 cm)	(64.8 cm)	(117.8 cm)	(65.4 cm)

\*Stainless steel model dimensions only. For panel-ready models, see the owner's guide online at [marvelrefrigeration.com](http://marvelrefrigeration.com).

**PRODUCT SPECIFICATIONS**

<b>Capacity</b>	4.9 cu. ft.
<b>Cord Length</b>	6 ft.
<b>Electrical Requirements</b>	115V / 60 Hz / 15A
<b>ENERGY STAR</b>	Yes
<b>Panel Height</b>	29-21/32" (75.3 cm)
<b>Panel Thickness</b>	5/8" (1.6 cm) or 3/4" (1.9 cm)
<b>Panel Type</b>	2-3/4" (7 cm) Solid Panel
<b>Panel Width</b>	23-5/8" (60 cm)
<b>Refrigerant Type</b>	R600a

<b>Sabbath Mode</b>	Yes
<b>Shipping Dimensions</b>	28" W x 31" D x 37" H
<b>Shipping Weight</b>	160 lbs
<b>Temperature Range</b>	-10°F to 10°F

For comprehensive installation instructions, including panel overlay details, please visit [marvelrefrigeration.com](http://marvelrefrigeration.com) to access the owner's guide. All specifications are subject to change without notice.



# MLKR224

## 24" BEVERAGE DISPENSER

### MARVEL CLASSIC COLLECTION



### MAIN FEATURES

- 4.9 cu ft. capacity
- Stores half kegs, tall quarter kegs, pony kegs, sixth barrels, Cornelius kegs, bottles or cans
- Lo-Boy coupler makes it easier to store, tap and swap out tall U.S. type D half barrels
- Includes 2 stow-on-board stainless steel shelves to convert unit into refrigerator
- Secure gas tank storage area and drain basin
- Dynamic Cooling Technology delivers temperature stability
- Integrated drain system keeps spillage under control
- Double-insulated tower reduces foam on pour
- Digital controls allow you to select a temperature from 34°F to 60°F
- Beer and wine tap kits with single or twin tap options (sold separately)
- Door ajar and high/low temperature alerts
- Arctic white LED theater-style lighting
- Reversible door allows for right or left swing
- Panel ready model requires 3/4" or 5/8" custom panel and handle (not supplied by Marvel)

### WARRANTY

- 1-year parts and labor warranty and 5-year sealed system parts warranty (see complete warranty for details)

### FINISH OPTIONS



\*Tap kit accessories sold separately

DOOR STYLE	MODEL NUMBER
Solid Stainless Steel	MLKR224-SS01A
Solid Panel Ready	MLKR224-IS01A

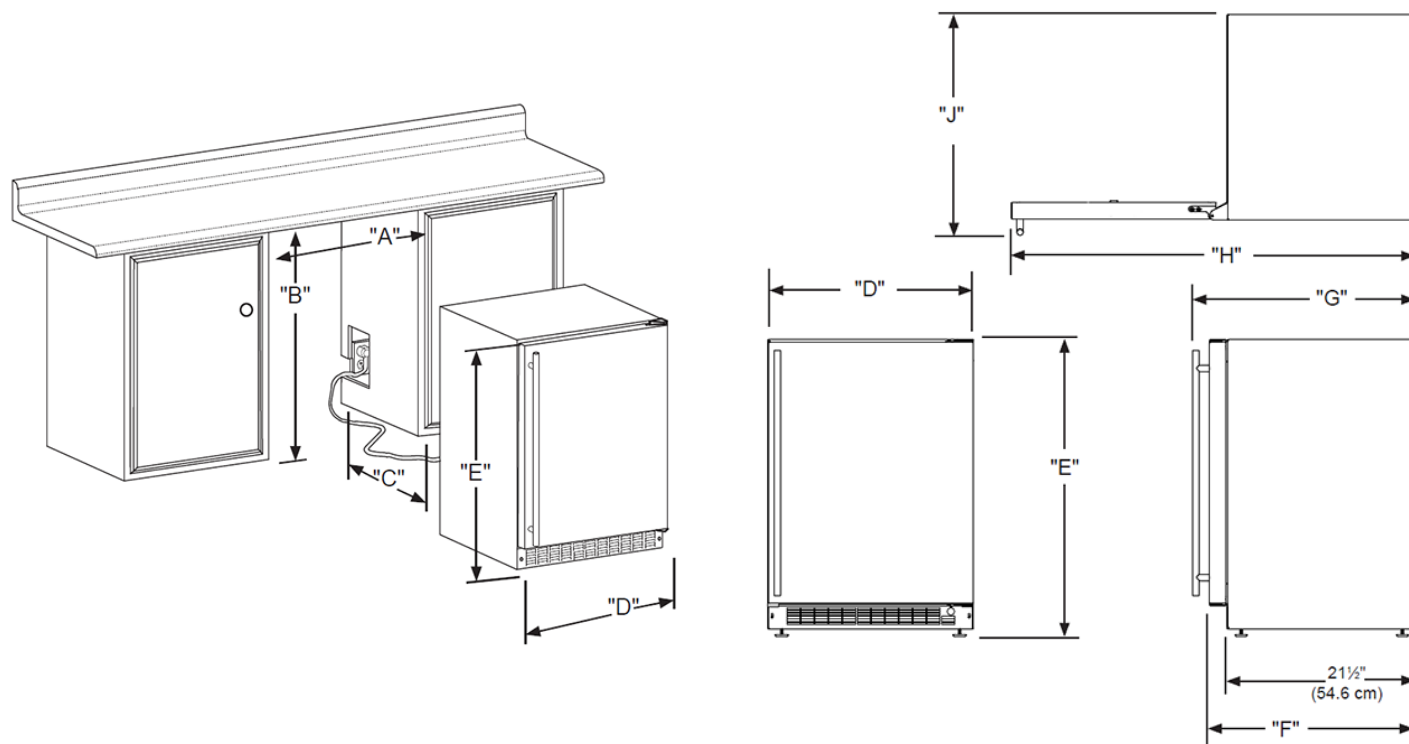
TAP KIT ACCESSORIES*	PART #
Wine Single Tap Kit with Nitro Tank & Fittings	S42418647-ACCY
Wine Twin Tap Kit with Nitro Tank & Fittings	S42418649-ACCY
Universal Single Tap Kit with CO2 Tank & Fittings	S42418645-ACCY
Universal Twin Tap Kit with CO2 Tank & Fittings	S42418646-ACCY

\*Kit includes tower/tap, regulator, D-style Lo-Boy coupler, gas hose, hose clamps, faucet wrench, tower gasket, tower mounting screws and gas tank.





## DIMENSIONAL DRAWINGS



### ROUGH IN DIMENSIONS\*

"A"	"B"	"C"
24"	34" to 35"	24"
(61 cm)	(86.4 to 88.9 cm)	(61 cm)

### CABINET DIMENSIONS\*

"D"	"E"	"F"	"G"	"H"	"J"
23-7/8"	33-3/4" to 34-3/4"	23-5/8"*	25-1/2"	46-3/8"*	25-3/4"*
(60.7 cm)	(85.7 cm to 88.3 cm)	(60 cm)	(64.8 cm)	(117.8 cm)	(65.4 cm)

\*Stainless steel model dimensions only. For panel-ready models, see the owner's guide online at [marvelrefrigeration.com](http://marvelrefrigeration.com).

## PRODUCT SPECIFICATIONS

<b>Capacity</b>	4.9 cu. ft.
<b>Cord Length</b>	6 ft.
<b>Electrical Requirements</b>	115V / 60 Hz / 15A
<b>ENERGY STAR</b>	Yes
<b>Panel Height</b>	29-21/32" (75.3 cm)
<b>Panel Thickness</b>	5/8" (1.6 cm) or 3/4" (1.9 cm)
<b>Panel Type</b>	2-3/4" (7 cm) Solid Panel
<b>Panel Width</b>	23-5/8" (60 cm)
<b>Refrigerant Type</b>	R600a

<b>Sabbath Mode</b>	Yes
<b>Shipping Dimensions</b>	28" W x 31" D x 37" H
<b>Shipping Weight</b>	160 lbs
<b>Temperature Range</b>	

For comprehensive installation instructions, including panel overlay details, please visit [marvelrefrigeration.com](http://marvelrefrigeration.com) to access the owner's guide. All specifications are subject to change without notice.



# MLNP115

## 15" NUGGET ICE MACHINE



### MARVEL CLASSIC COLLECTION

#### MAIN FEATURES

- Produces 3/4" L x 1/2" H cylindrical ice
- Produces up to 90 pounds of nugget ice per day
- Stores up to 30 pounds of nugget ice
- Ice scoop included with dedicated holder
- Factory-installed drain pump included
- Digital controls allow you to select preferred ice density
- Door ajar and cleaning alerts
- Arctic white LED theater-style lighting
- Elegant midnight black interior
- Reversible door allows for right or left swing
- Panel ready model requires 3/4" or 5/8" custom panel and handle (not supplied by Marvel)

#### FINISH OPTIONS



DOOR STYLE	MODEL NUMBER
Solid Stainless Steel	MLNP115-SS01B
Solid Panel Ready	MLNP115-IS01A

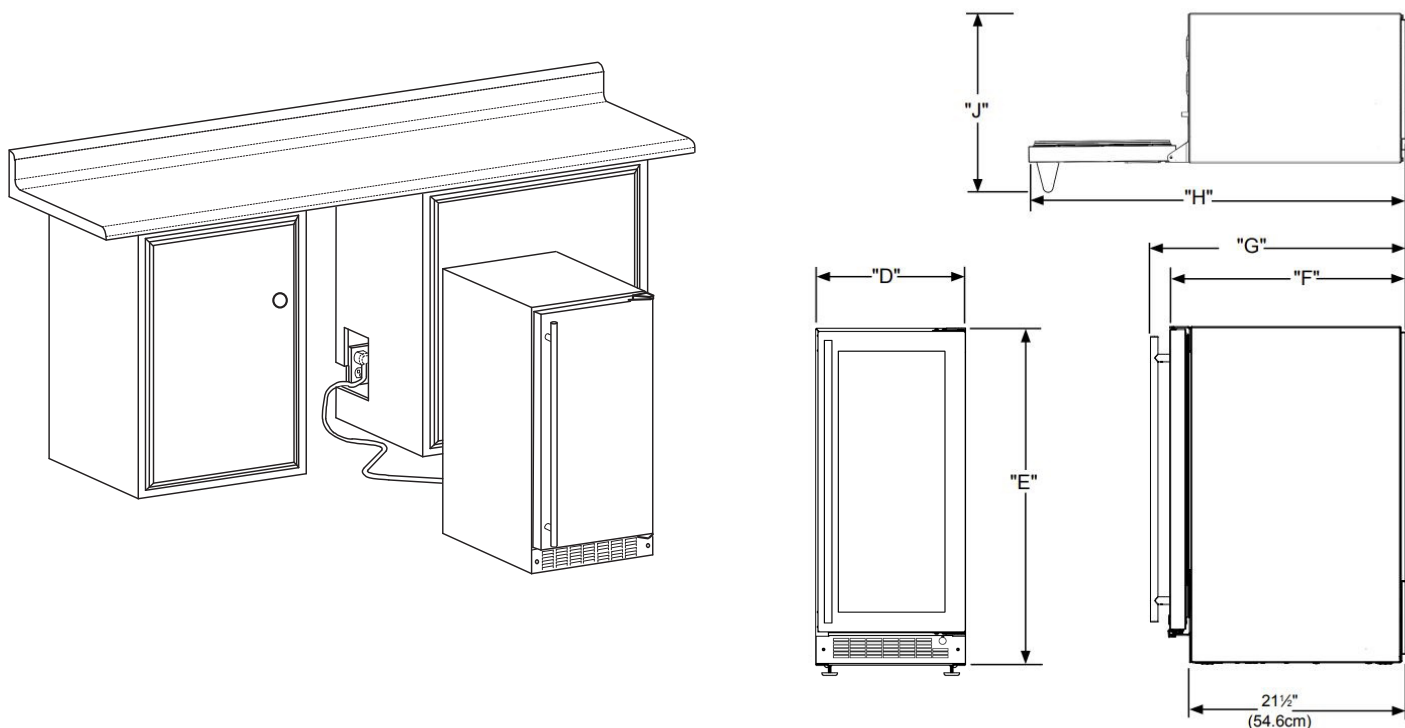
#### WARRANTY

- 1-year parts and labor warranty and 5-year sealed system parts warranty (see complete warranty for details)





## DIMENSIONAL DRAWINGS



### ROUGH IN DIMENSIONS\*

"A"	"B"	"C"
15-1/4"	34-1/4" to 35-1/4"	24"
(38.7 cm)	(87 cm to 88.9 cm)	(61 cm)

### CABINET DIMENSIONS\*

"D"	"E"	"F"	"G"	"H"	"J"
14-15/16"	34-1/8" to 35-11/16"	22-1/4"*	24-1/8"*	36-3/16"*	15-1/2"*
(37.9 cm)	(86.7 cm to 89.2 cm)	(56.2 cm)	(61.3 cm)	(91.9 cm)	(39.4 cm)

\*Stainless steel model dimensions only. For panel-ready models, see the owner's guide online at [marvelrefrigeration.com](http://marvelrefrigeration.com).

## PRODUCT SPECIFICATIONS

<b>Capacity</b>	30 lbs
<b>Cord Length</b>	6 ft.
<b>Electrical Requirements</b>	115V / 60 Hz / 15A
<b>ENERGY STAR</b>	No
<b>Panel Height</b>	30-1/4" (76.8 cm)
<b>Panel Thickness</b>	5/8" (1.6 cm) or 3/4" (1.9 cm)
<b>Panel Type</b>	2-3/4" (7 cm) Solid Panel
<b>Panel Width</b>	14-3/4" (37.5 cm)
<b>Refrigerant Type</b>	R600a

<b>Sabbath Mode</b>	Yes
<b>Shipping Dimensions</b>	19" W x 31" D x 37" H
<b>Shipping Weight</b>	125 lbs

For comprehensive installation instructions, including panel overlay details, please visit [marvelrefrigeration.com](http://marvelrefrigeration.com) to access the owner's guide. All specifications are subject to change without notice.



# MLCP215/MLCL215

## 15" CLEAR ICE MACHINE



### MARVEL CLASSIC COLLECTION

#### MAIN FEATURES

- Produces 3/4" clear ice cubes
- Produces up to 39 pounds of clear ice per day
- Stores up to 23 pounds of clear ice
- Ice scoop included with dedicated holder
- Factory-installed drain pump included
- Door ajar and cleaning alerts
- Arctic white LED theater-style lighting
- Elegant midnight black interior
- Reversible door allows for right or left swing
- Panel ready model requires 3/4" or 5/8" custom panel and handle (not supplied by Marvel)

#### WARRANTY

- 1-year parts and labor warranty and 5-year sealed system parts warranty (see complete warranty for details)

#### FINISH OPTIONS

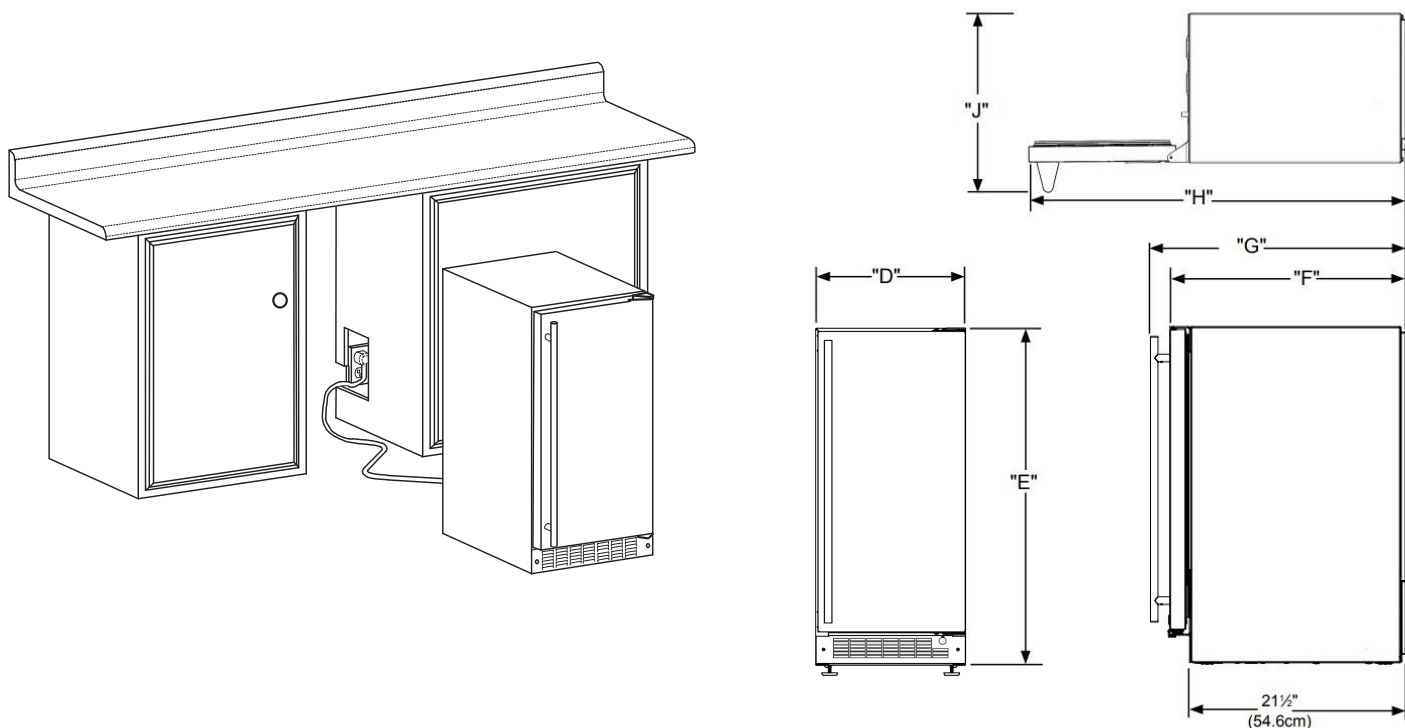


DOOR STYLE	PUMP	MODEL NUMBER
Stainless Steel Frame Glass	Yes	MLCP215-SG01B
Stainless Steel Frame Glass	No	MLCL215-SG01B
Solid Stainless Steel	Yes	MLCP215-SS01B
Solid Stainless Steel	No	MLCL215-SS01B
Solid Panel Ready	Yes	MLCP215-IS01B
Solid Panel Ready	No	MLCL215-IS01B





## DIMENSIONAL DRAWINGS



### ROUGH IN DIMENSIONS\*

"A"	"B"	"C"
15"	34" to 35"	24"
(38.1 cm)	(86.4 cm to 88.9 cm)	(61 cm)

### CABINET DIMENSIONS\*

"D"	"E"	"F"	"G"	"H"	"J"
14-7/8"	33-3/4" to 34-3/4"	23-5/8"*	25-1/2"*	37-3/8"*	16-5/8"*
(37.8 cm)	(85.7 cm to 88.3 cm)	(60 cm)	(64.8 cm)	(94.9 cm)	(42.2 cm)

\*Stainless steel model dimensions only. For panel-ready models, see the owner's guide online at [marvelrefrigeration.com](http://marvelrefrigeration.com).

## PRODUCT SPECIFICATIONS

<b>Capacity</b>	23 Lbs
<b>Cord Length</b>	6 ft.
<b>Electrical Requirements</b>	115V / 60 Hz / 15A
<b>ENERGY STAR</b>	No
<b>Panel Height</b>	29-21/32" (75.4 cm)
<b>Panel Thickness</b>	5/8" (1.6 cm) or 3/4" (1.9 cm)
<b>Panel Type</b>	2-3/4" (7 cm) Solid Panel
<b>Panel Width</b>	14-3/4" (37.5 cm)
<b>Refrigerant Type</b>	R600a

<b>Sabbath Mode</b>	Yes
<b>Shipping Dimensions</b>	19" W x 31" D x 37" H
<b>Shipping Weight</b>	125 lbs

For comprehensive installation instructions, including panel overlay details, please visit [marvelrefrigeration.com](http://marvelrefrigeration.com) to access the owner's guide. All specifications are subject to change without notice.



# MLCR215

## 15" CRESCENT ICE MAKER



### MARVEL CLASSIC COLLECTION

#### MAIN FEATURES

- Produces and stores up to 25 lbs of crescent ice per day
- Removable ice bin
- No drain required
- Crescent ice dimensions: 1/2 W x 3/4 H x 2-1/4 L
- On / Off switch at the front of the unit
- Arctic white interior
- Reversible door allows for right or left swing
- Panel ready model requires 3/4" or 5/8" custom panel and handle (not supplied by Marvel)

#### WARRANTY

- 1-year parts and labor warranty and 5-year sealed system parts warranty (see complete warranty for details)

#### FINISH OPTIONS



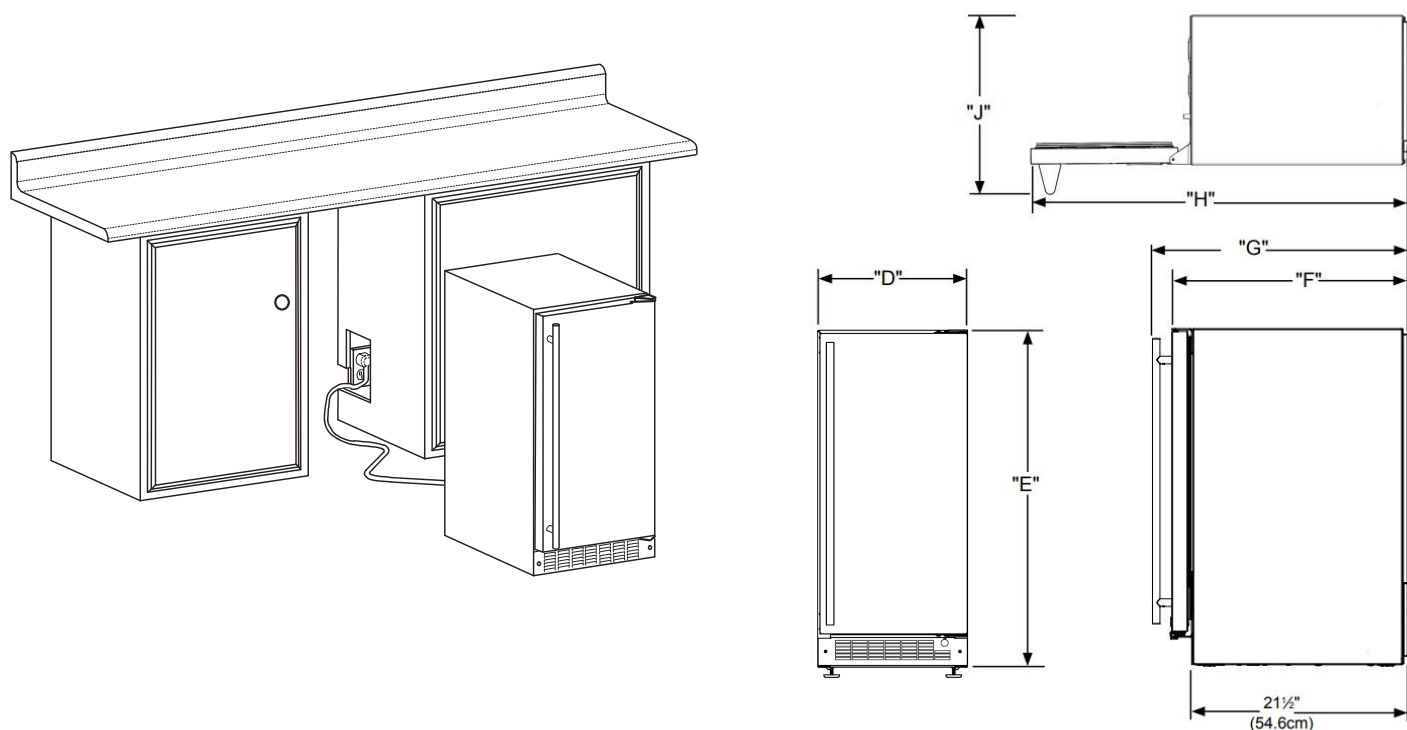
DOOR STYLE	MODEL NUMBER
Solid Stainless Steel	MLCR215-SS01B
Solid Panel Ready	MLCR215-IS01B







## DIMENSIONAL DRAWINGS



### ROUGH IN DIMENSIONS\*

"A"	"B"	"C"
15"	34-1/4" to 35-1/4"	24"
(38.1 cm)	(87 cm to 89.5 cm)	(61 cm)

### CABINET DIMENSIONS\*

"D"	"E"	"F"	"G"	"H"	"J"
14-7/8"	34-1/8" to 35-1/8"	23-5/8"*	24-1/8"*	38-3/4"*	17-1/2"*
(37.8 cm)	(86.7 cm to 89.2 cm)	(60 cm)	(61.3 cm)	(98.4 cm)	(44.4 cm)

\*Stainless steel model dimensions only. For panel-ready models, see the owner's guide online at [marvelrefrigeration.com](http://marvelrefrigeration.com).

## PRODUCT SPECIFICATIONS

<b>Capacity</b>	25 lbs
<b>Cord Length</b>	6 ft.
<b>Electrical Requirements</b>	115V / 60 Hz / 15A
<b>ENERGY STAR</b>	No
<b>Panel Height</b>	30-1/4" (77.3 cm)
<b>Panel Thickness</b>	5/8" (1.6 cm) or 3/4" (1.9 cm)
<b>Panel Type</b>	2-3/4" (7 cm) Solid Panel
<b>Panel Width</b>	14-3/4" (37.5 cm)
<b>Refrigerant Type</b>	R600a

<b>Sabbath Mode</b>	No
<b>Shipping Dimensions</b>	19" W x 31" D x 37" H
<b>Shipping Weight</b>	125 lbs

For comprehensive installation instructions, including panel overlay details, please visit [marvelrefrigeration.com](http://marvelrefrigeration.com) to access the owner's guide. All specifications are subject to change without notice.



# LOW-PROFILE COLLECTION

ADA HEIGHT DESIGN



Our selection of refrigerators, beverage centers and ice makers are ideal for ADA-height installations, universal design applications and areas with limited space. Marvel is a leading choice for world-class sports and entertainment venues, hotels, hospitals and medical facilities, and other premium commercial installations across America.



# MABV224

## 24" BEVERAGE CENTER

### MARVEL LOW PROFILE COLLECTION



#### MAIN FEATURES

- 5.3 cu ft. capacity stores up to 95 cans (12-oz) and/or 7 wine bottles
- 3-in-1 Convertible Shelf converts to a partial or full wine rack with vibration neutralization
- Half-width shelf allows for tall item storage
- MaxStore bin organizes loose items
- Dynamic cooling technology delivers rapid cool down and temperature stability
- Argon-filled, UV-resistant tinted dual pane glass door options protect contents
- Digital controls allow you to select a temperature from 34°F to 60°F
- Door ajar and high/low temperature alerts
- Arctic white LED theater-style lighting
- Elegant midnight black interior
- Door lock provides added security
- Reversible door allows for right or left swing
- Low profile, ADA-compliant height allows for universal installation applications

#### WARRANTY

- 1-year parts and labor warranty and 5-year sealed system parts warranty (see complete warranty for details)

#### FINISH OPTIONS



##### DOOR STYLE

Solid Stainless Steel

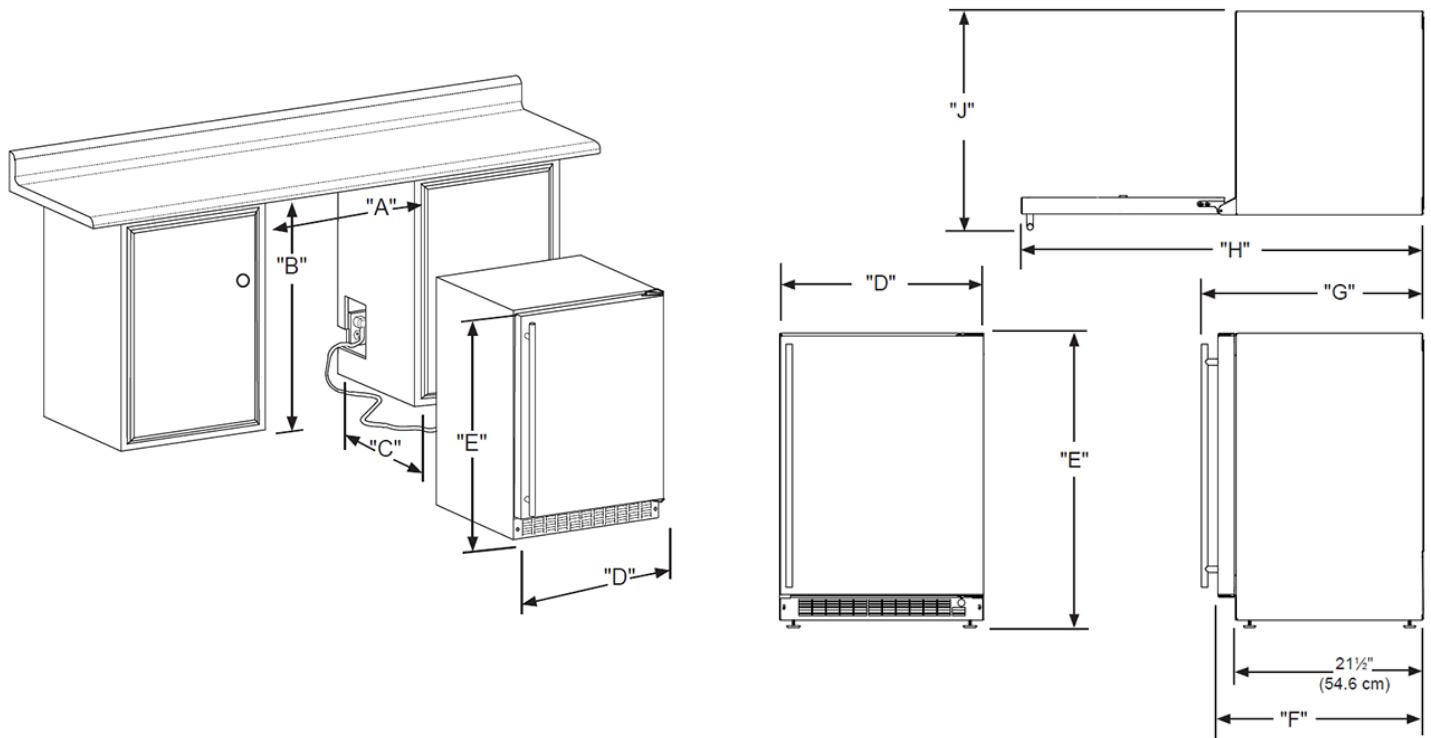
##### MODEL NUMBER

MABV224-SG31A





## DIMENSIONAL DRAWINGS



### ROUGH IN DIMENSIONS\*

"A"	"B"	"C"
24"	31-1/4 to 32-1/4"	24"
(61 cm)	(79.4 cm to 81.9 cm)	(61 cm)

### CABINET DIMENSIONS\*

"D"	"E"	"F"	"G"	"H"	"J"
23-7/8"	31" to 32"	23-5/8"	25-1/2"	47-3/4"	25-3/4"*
(60.7 cm)	(78.7 to 81.3 cm)	(60 cm)	(64.8 cm)	(121.3 cm)	(65.4 cm)

## PRODUCT SPECIFICATIONS

<b>Capacity</b>	5.3 cu. ft.
<b>Cord Length</b>	6 ft.
<b>Electrical Requirements</b>	115V / 60 Hz / 15A
<b>ENERGY STAR</b>	Yes
<b>Refrigerant Type</b>	R600a
<b>Sabbath Mode</b>	Yes
<b>Shipping Dimensions</b>	28" W x 31" D x 37" H
<b>Shipping Weight</b>	160 lbs
<b>Temperature Range</b>	34°F to 60°F

For comprehensive installation instructions, please visit [marvelrefrigeration.com](http://marvelrefrigeration.com) to access the owner's guide. All specifications are subject to change without notice.



# MARE224

## 24" REFRIGERATOR

### MARVEL LOW PROFILE COLLECTION



#### MAIN FEATURES

- 4.6 cu ft. capacity stores up to 95 cans (12-oz)
- Includes 2 cantilevered white steel-framed glass shelves, one half-width and one full-width, and 1 fixed position white steel-framed glass shelf
- Half-width shelf allows for tall item storage
- MaxStore bin organizes loose items
- Dynamic cooling technology delivers rapid cool down and temperature stability
- Digital controls allow you to select a temperature from 34°F to 60°F
- Door ajar and high/low temperature alerts
- Arctic white LED theater-style lighting
- Arctic white interior
- Door lock provides added security
- Low profile, ADA-compliant height allows for universal installation applications
- Panel ready model requires 3/4" or 5/8" custom panel and handle (not supplied by Marvel)

#### WARRANTY

- 1-year parts and labor warranty and 5-year sealed system parts warranty (see complete warranty for details)

#### FINISH OPTIONS

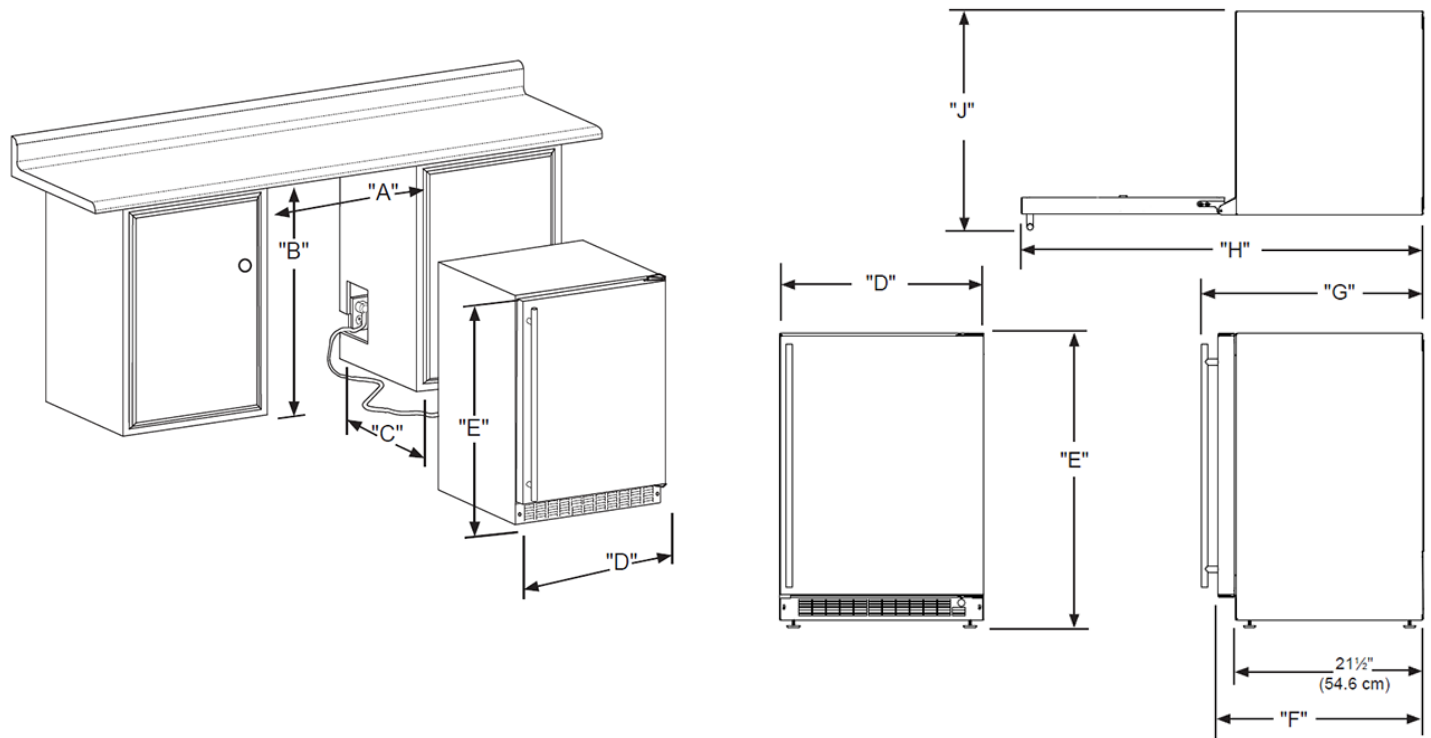


DOOR STYLE	DOOR SWING	MODEL NUMBER
Solid Stainless Steel	Right	MARE224-SS41A
Solid Stainless Steel	Left	MARE224-SS51A
Solid Panel Ready	Right	MARE224-IS41A
Solid Panel Ready	Left	MARE224-IS51A





## DIMENSIONAL DRAWINGS



### ROUGH IN DIMENSIONS\*

"A"	"B"	"C"
24"	31-1/4 to 32-1/4"	24"
(61 cm)	(79.4 cm to 81.9 cm)	(61 cm)

### CABINET DIMENSIONS\*

"D"	"E"	"F"	"G"	"H"	"J"
23-7/8"	31" to 32"	23-5/8"	25-1/2"	47-3/4"	25-3/4"*
(60.7 cm)	(78.7 to 81.3 cm)	(60 cm)	(64.8 cm)	(121.3 cm)	(65.4 cm)

\*Stainless steel model dimensions only. For panel-ready models, see the owner's guide online at [marvelrefrigeration.com](http://marvelrefrigeration.com).

## PRODUCT SPECIFICATIONS

<b>Capacity</b>	4.6 cu. ft.
<b>Cord Length</b>	6 ft.
<b>Electrical Requirements</b>	115V / 60 Hz / 15A
<b>ENERGY STAR</b>	Yes
<b>Panel Height</b>	27-1/32" (68.7 cm)
<b>Panel Thickness</b>	5/8" (1.6 cm) or 3/4" (1.9 cm)
<b>Panel Type</b>	2-3/4" (7 cm) Solid Panel
<b>Panel Width</b>	23-5/8" (60 cm)
<b>Refrigerant Type</b>	R600a

<b>Sabbath Mode</b>	Yes
<b>Shipping Dimensions</b>	28" W x 31" D x 37" H
<b>Shipping Weight</b>	160 lbs
<b>Temperature Range</b>	34°F to 60°F

For comprehensive installation instructions, including panel overlay details, please visit [marvelrefrigeration.com](http://marvelrefrigeration.com) to access the owner's guide. All specifications are subject to change without notice.



# MARE124

## 24" REFRIGERATOR

### MARVEL LOW PROFILE COLLECTION



#### MAIN FEATURES

- 4.9 cu ft. capacity stores up to 95 cans (12-oz) and/or 18 wine bottles
- Includes 2 cantilevered shelves
- Cantilevered shelving system can hold up to 35 lbs and features 11 adjustable heights
- Dynamic cooling technology delivers rapid cool down and temperature stability
- Argon-filled, UV-resistant tinted dual pane glass door options protect contents
- Digital controls allow you to select a temperature from 34°F to 60°F
- Door ajar and high/low temperature alerts
- Arctic white LED theater-style lighting
- Elegant midnight black interior
- Door lock provides added security
- Reversible door allows for right or left swing
- Low profile, ADA-compliant height allows for universal installation applications

#### WARRANTY

- 1-year parts and labor warranty and 5-year sealed system parts warranty (see complete warranty for details)

#### FINISH OPTIONS



##### DOOR STYLE

Stainless Steel Frame Glass

Solid Stainless Steel

##### MODEL NUMBER

MARE124-SG31A

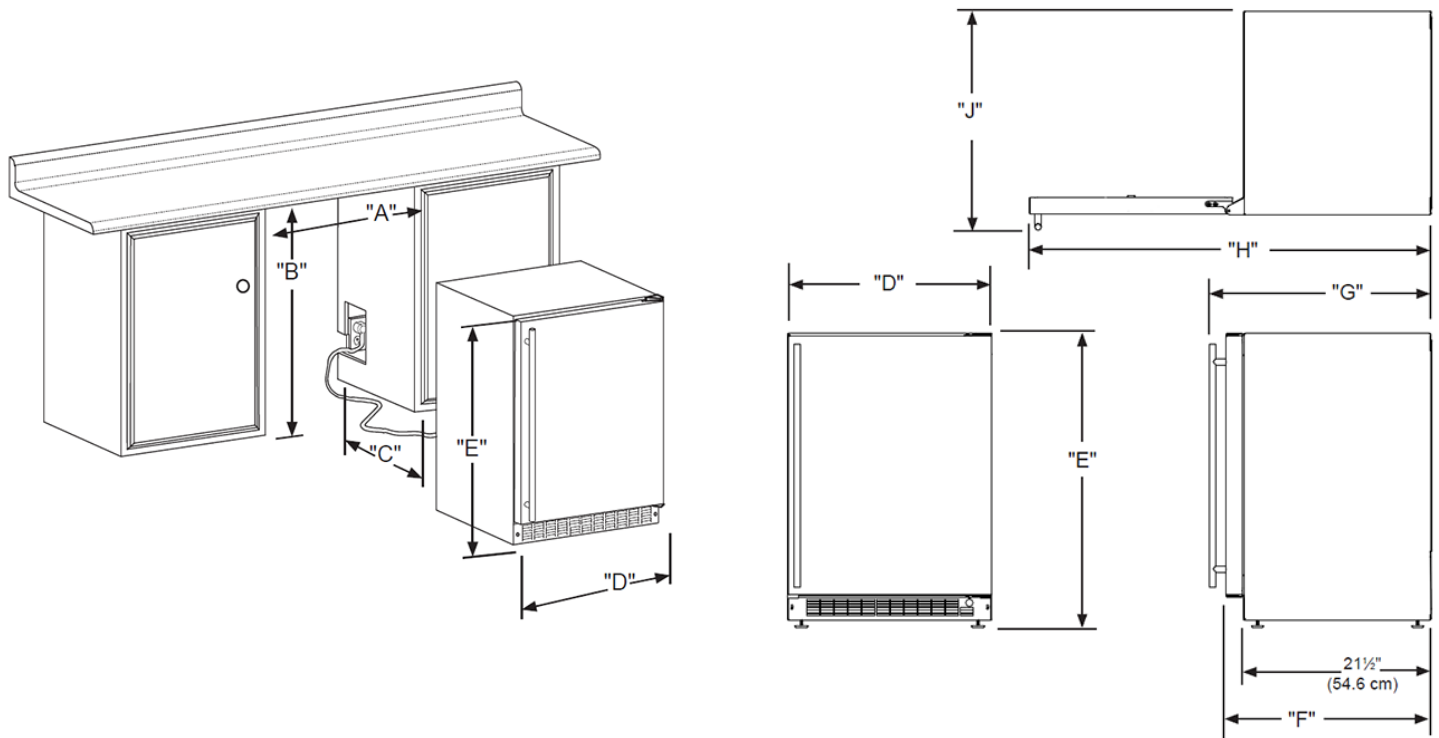
MARE124-SS31A







**DIMENSIONAL DRAWINGS**



**ROUGH IN DIMENSIONS\***

"A"	"B"	"C"
24"	31-1/4 to 32-1/4"	24"
(61 cm)	(79.4 cm to 81.9 cm)	(61 cm)

**CABINET DIMENSIONS\***

"D"	"E"	"F"	"G"	"H"	"J"
23-7/8"	31" to 32"	23-5/8"	25-1/2"	47-3/4"	25-3/4"*
(60.7 cm)	(78.7 to 81.3 cm)	(60 cm)	(64.8 cm)	(121.3 cm)	(65.4 cm)

**PRODUCT SPECIFICATIONS**

<b>Capacity</b>	4.9 cu. ft.
<b>Cord Length</b>	6 ft.
<b>Electrical Requirements</b>	115V / 60 Hz / 15A
<b>ENERGY STAR</b>	Yes
<b>Refrigerant Type</b>	R600a
<b>Sabbath Mode</b>	Yes
<b>Shipping Dimensions</b>	28" W x 31" D x 37" H
<b>Shipping Weight</b>	160 lbs
<b>Temperature Range</b>	34°F to 60°F

For comprehensive installation instructions, please visit [marvelrefrigeration.com](http://marvelrefrigeration.com) to access the owner's guide. All specifications are subject to change without notice.



# MACP215/MACL215

## 15" CLEAR ICE MACHINE

### MARVEL LOW PROFILE COLLECTION



### MAIN FEATURES

- Produces 3/4" clear ice cubes
- Produces up to 39 pounds of clear ice per day
- Stores up to 23 pounds of clear ice
- Ice scoop included with dedicated holder
- Factory-installed drain pump included
- Door ajar and cleaning alerts
- Arctic white LED theater-style lighting
- Elegant midnight black interior
- Reversible door allows for right or left swing
- Low profile, ADA-compliant height allows for universal installation applications
- Panel ready model requires 3/4" or 5/8" custom panel and handle (not supplied by Marvel)

### WARRANTY

- 1-year parts and labor warranty and 5-year sealed system parts warranty (see complete warranty for details)

### FINISH OPTIONS

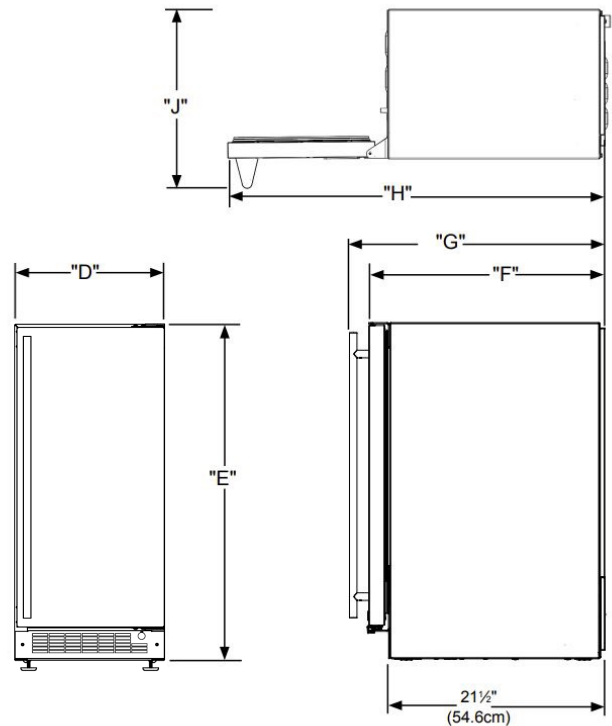
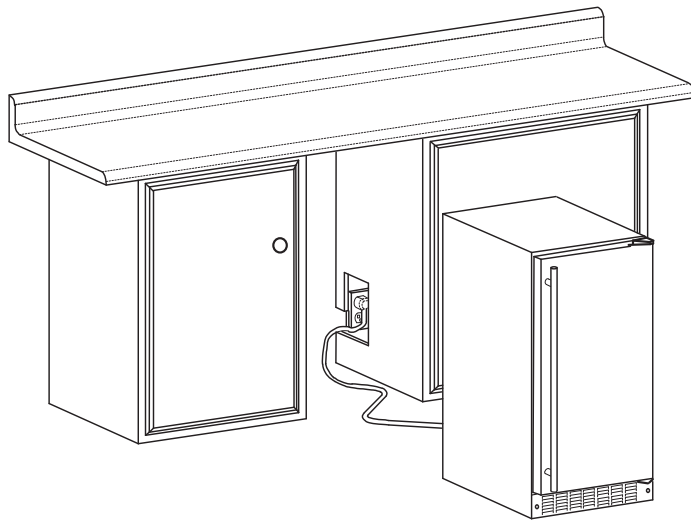


DOOR STYLE	PUMP	MODEL NUMBER
Solid Stainless Steel	Yes	MACP215-SS01B
Solid Stainless Steel	No	MACL215-SS01B
Solid Panel Ready	Yes	MACP215-IS01B
Solid Panel Ready	No	MACL215-IS01B





## DIMENSIONAL DRAWINGS



### ROUGH IN DIMENSIONS\*

"A"	"B"	"C"
15"	31-1/4" to 32-1/4"	24"
(38.1 cm)	(79.4 cm to 81.9 cm)	(61 cm)

### CABINET DIMENSIONS\*

"D"	"E"	"F"	"G"	"H"	"J"
14-7/8"	31" to 32"	23-5/8"*	25-1/2"*	37-3/8"*	16-5/8"*
(37.8 cm)	(78.7 cm to 81.2 cm)	(60 cm)	(64.8 cm)	(94.9 cm)	(42.2 cm)

\*Stainless steel model dimensions only. For panel-ready models, see the owner's guide online at [marvelrefrigeration.com](http://marvelrefrigeration.com).

## PRODUCT SPECIFICATIONS

<b>Capacity</b>	23 lbs
<b>Cord Length</b>	6 ft.
<b>Electrical Requirements</b>	115V / 60 Hz / 15A
<b>ENERGY STAR</b>	No
<b>Panel Height</b>	27-1/32" (68.7 cm)
<b>Panel Thickness</b>	5/8" (1.6 cm) or 3/4" (1.9 cm)
<b>Panel Type</b>	2-3/4" (7 cm) Solid Panel
<b>Panel Width</b>	14-3/4" (37.5 cm)
<b>Refrigerant Type</b>	R600a

<b>Sabbath Mode</b>	Yes
<b>Shipping Dimensions</b>	18" W x 29" D x 36" H
<b>Shipping Weight</b>	125 lbs

For comprehensive installation instructions, including panel overlay details, please visit [marvelrefrigeration.com](http://marvelrefrigeration.com) to access the owner's guide. All specifications are subject to change without notice.



# MACR215

## 15" CRESCENT ICE MAKER



### MARVEL LOW PROFILE COLLECTION

#### MAIN FEATURES

- Produces and stores up to 25 lbs of crescent ice per day
- Removable ice bin
- No pump or drain required
- Crescent ice dimensions: 1/2 W x 3/4 H x 2-1/4 L
- On / Off switch at the front of the unit
- Arctic white interior
- Reversible door allows for right or left swing
- Low profile, ADA-compliant height allows for universal installation applications

#### WARRANTY

- 1-year parts and labor warranty and 5-year sealed system parts warranty (see complete warranty for details)

#### FINISH OPTIONS

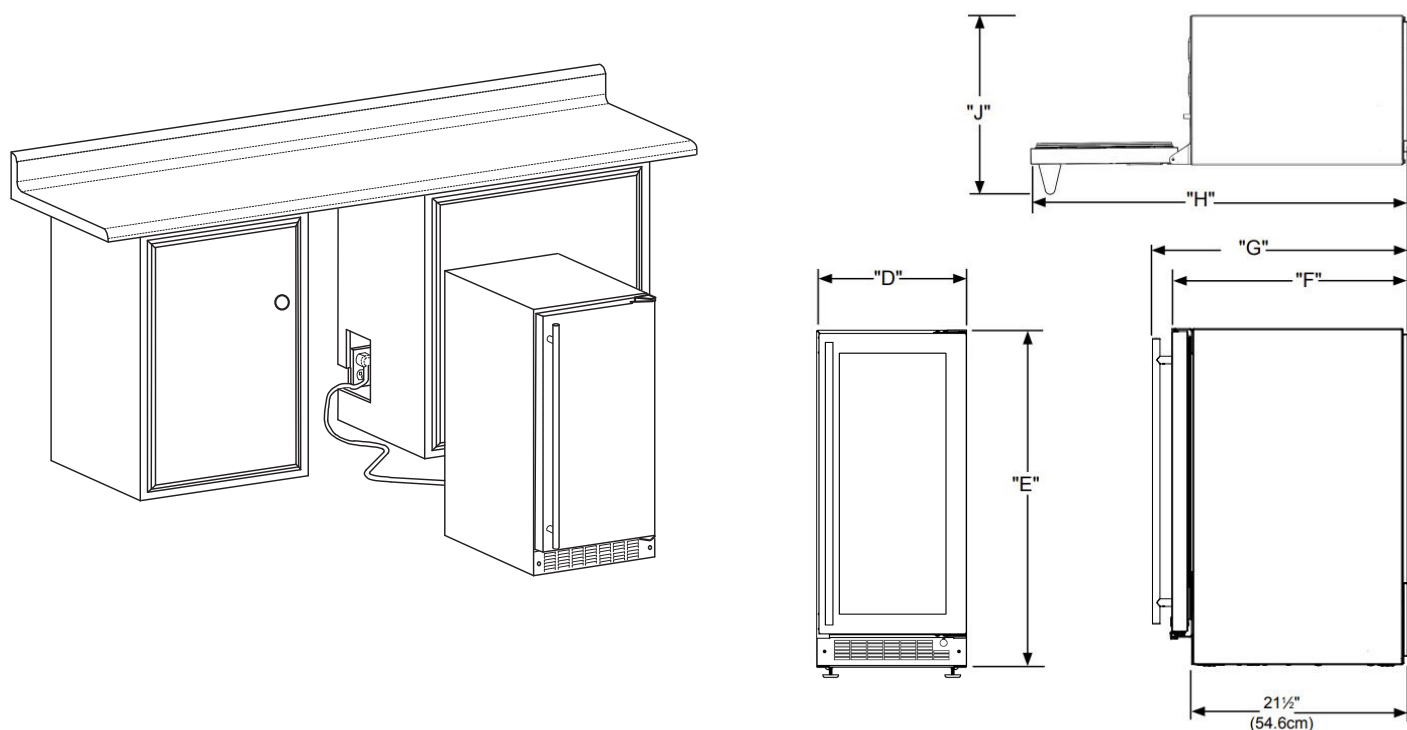


DOOR STYLE	MODEL NUMBER
Solid Stainless Steel	MACR215-SS01B





## DIMENSIONAL DRAWINGS



### ROUGH IN DIMENSIONS\*

"A"	"B"	"C"
15-3/16"	32" to 33"	24"
(38.6 cm)	(81.3 cm to 83.8 cm)	(61 cm)

### CABINET DIMENSIONS\*

"D"	"E"	"F"	"G"	"H"	"J"
14-13/16"	32" to 33"	22-1/4"	24-1/8"	36-1/4"	15-1/2"
(37.6 cm)	(81.3 cm to 83.8 cm)	(56.5 cm)	(61.3 cm)	(91.9 cm)	(39.4 cm)

## PRODUCT SPECIFICATIONS

<b>Capacity</b>	25 lbs
<b>Cord Length</b>	6 ft.
<b>Electrical Requirements</b>	115V / 60 Hz / 15A
<b>ENERGY STAR</b>	No
<b>Refrigerant Type</b>	R600a
<b>Sabbath Mode</b>	No
<b>Shipping Dimensions</b>	18" W x 29" D x 36" H
<b>Shipping Weight</b>	125 lbs

For comprehensive installation instructions, please visit [marvelrefrigeration.com](http://marvelrefrigeration.com) to access the owner's guide. All specifications are subject to change without notice.



# MACR214

## 14" CRESCENT ICE MAKER



### MARVEL LOW PROFILE COLLECTION

#### MAIN FEATURES

- Produces up to 23 lbs of ice per day
- Stores up to 12 lbs of ice
- Removable ice bin
- No pump or drain required
- Crescent ice dimensions: 1/2 W x 3/4 H x 2-1/4 L
- On / Off switch at the front of the unit
- Arctic white interior
- Reversible door allows for right or left swing
- Low profile, ADA-compliant height allows for universal installation applications

#### WARRANTY

- 1-year parts and labor warranty and 5-year sealed system parts warranty (see complete warranty for details)

#### FINISH OPTIONS

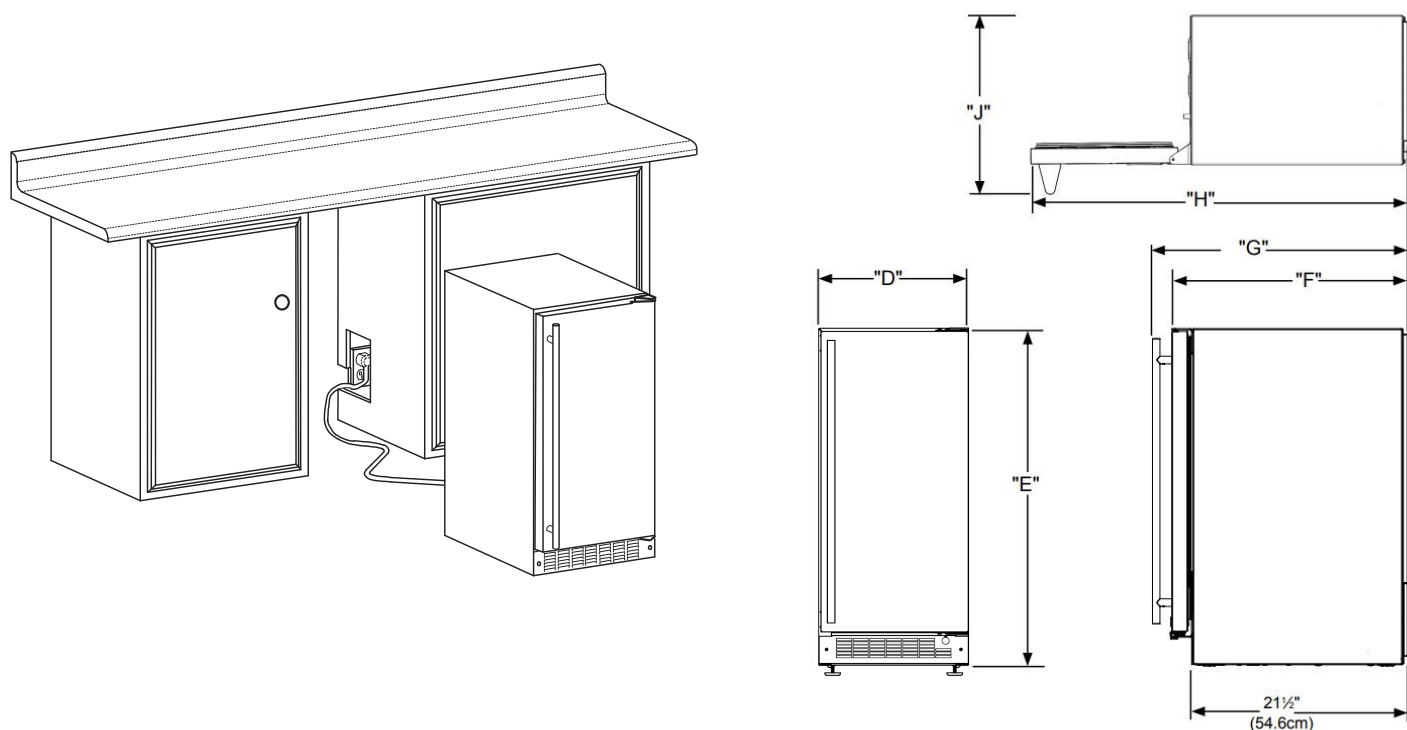


DOOR STYLE	MODEL NUMBER
Solid Stainless Steel	MACR214-SS01B
Solid Black	MACR214-BS01B





## DIMENSIONAL DRAWINGS



### ROUGH IN DIMENSIONS\*

"A"	"B"	"C"
14"	24-7/8"	21-1/2"
(35.6 cm)	(63.2 cm)	(54.6 cm)

### CABINET DIMENSIONS\*

"D"	"E"	"F"	"G"	"H"	"J"
13-7/8"	24-3/4"	16-5/8"	18-13/16"	30"	15-7/16"
(35.2 cm)	(62.9 cm)	(43 cm)	(47.8 cm)	(76.3 cm)	(39.2 cm)

## PRODUCT SPECIFICATIONS

<b>Capacity</b>	12 lbs
<b>Cord Length</b>	6 ft.
<b>Electrical Requirements</b>	115V / 60 Hz / 15A
<b>ENERGY STAR</b>	No
<b>Refrigerant Type</b>	R600a
<b>Sabbath Mode</b>	No
<b>Shipping Dimensions</b>	18" W x 25" D x 30" H
<b>Shipping Weight</b>	61 lbs

For comprehensive installation instructions, please visit [marvelrefrigeration.com](http://marvelrefrigeration.com) to access the owner's guide. All specifications are subject to change without notice.



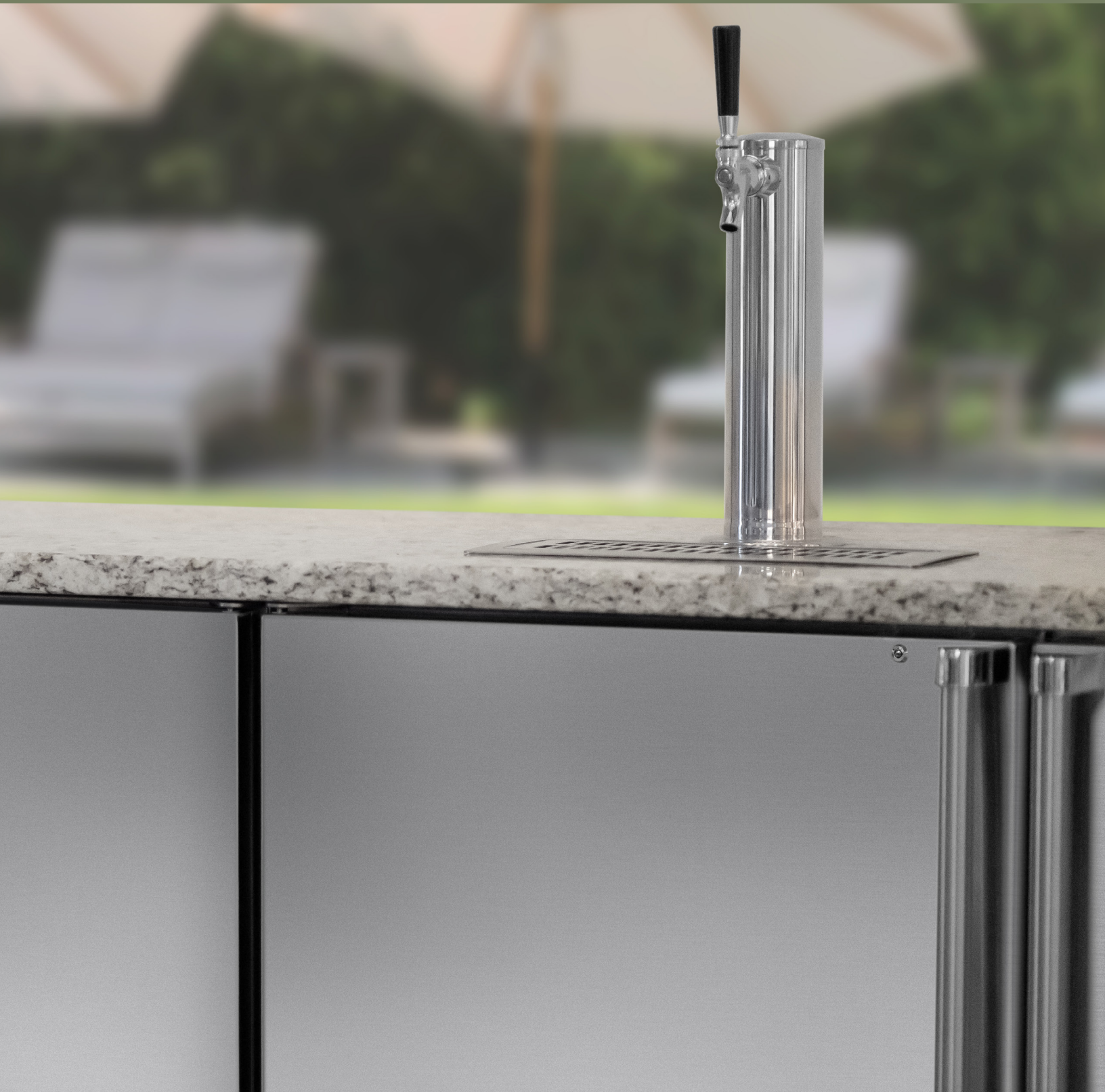
# OUTDOOR COLLECTION

FIT FOR PATIO LIVING





The Marvel Outdoor Collection of appliances is the perfect match for your professional-style outdoor kitchen. Our beer dispensers, refrigerators, and ice machines are built with stainless steel that has been salt spray tested for corrosion resistance. Flexible shelving options give you customizable adjustability, and advanced cooling systems keep your beverages and food at ideal temperatures.



# MORE224

## 24" REFRIGERATOR

### MARVEL OUTDOOR COLLECTION



### MAIN FEATURES

- 5.1 cu ft capacity stores up to 146 cans (12-oz)
- Includes 1 full-width stainless steel glide-out shelf, 1 half-width cantilevered stainless steel shelf and 1 fixed stainless steel-framed glass shelf
- Half-width shelf allows for tall item storage
- Easy-access door storage
- MaxStore bin organizes loose items
- Cantilevered shelving system can hold up to 35 lbs and features 11 adjustable heights
- Dynamic cooling technology delivers rapid cool down, frost-free operation, and temperature stability
- Digital controls allow you to select a temperature from 34°F to 60°F
- Door ajar and high/low temperature alerts
- Arctic white LED theater-style lighting
- Arctic white interior
- Door lock provides added security
- Designed for outdoor use

### WARRANTY

- 1-year parts and labor warranty and 5-year sealed system parts warranty (see complete warranty for details)

### FINISH OPTIONS

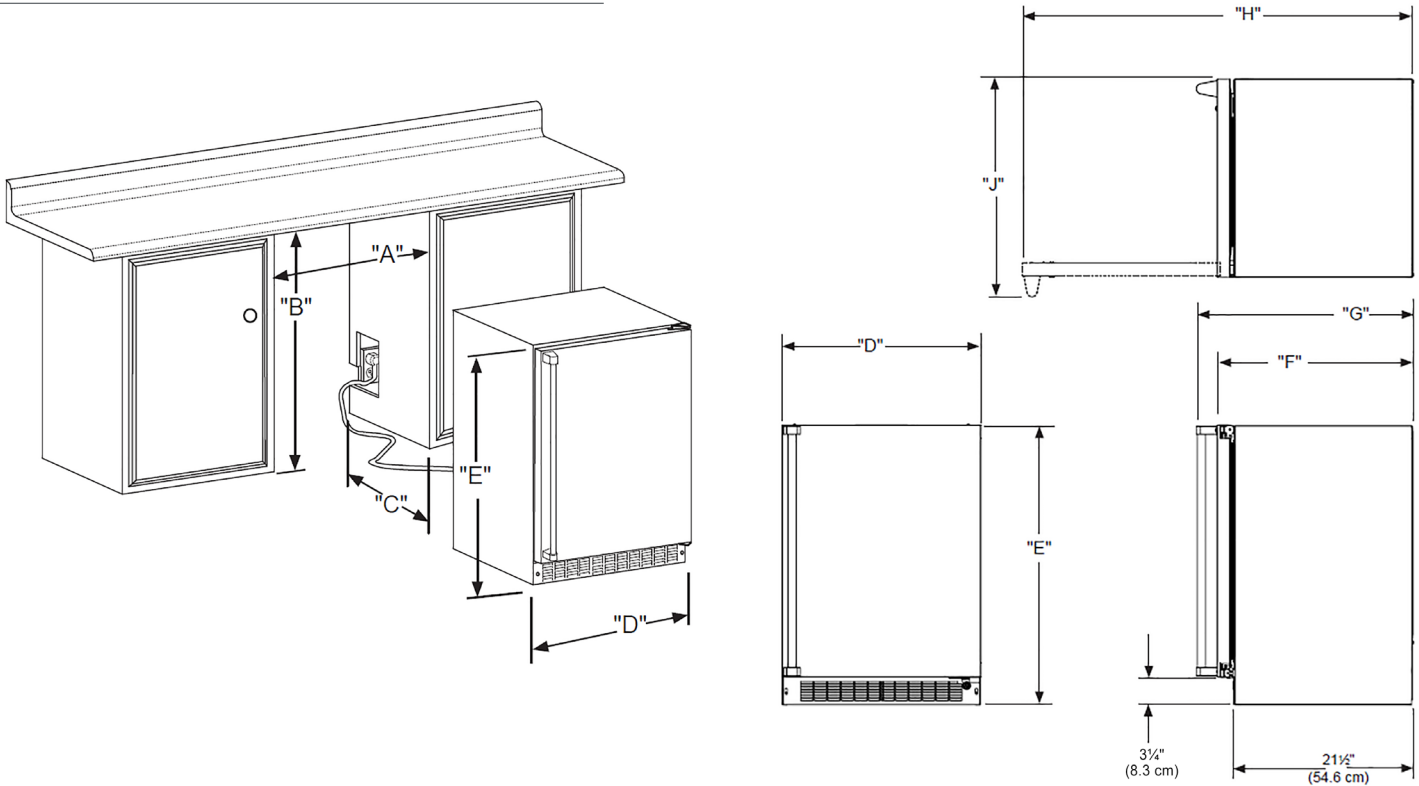


DOOR STYLE	DOOR SWING	MODEL NUMBER
Solid Stainless Steel	Right	MORE224-SS41A
Solid Stainless Steel	Left	MORE224-SS51A





## DIMENSIONAL DRAWINGS



### ROUGH IN DIMENSIONS\*

"A"	"B"	"C"
24"	34" to 35"	24"
(61 cm)	(86.4 cm to 88.9 cm)	(61 cm)

### CABINET DIMENSIONS\*

"D"	"E"	"F"	"G"	"H"	"J"
23-7/8"	33-3/4" to 34-3/4"	23-3/4"	26-1/4"	46-3/8"	26-3/8"
(60.7 cm)	(84.5 cm to 87 cm)	(60.3 cm)	(66.2 cm)	(117.8 cm)	(67 cm)

## PRODUCT SPECIFICATIONS

<b>Capacity</b>	5.1 cu. ft
<b>Cord Length</b>	6 ft.
<b>Electrical Requirements</b>	115V / 60 Hz / 15A
<b>ENERGY STAR</b>	Yes
<b>Refrigerant Type</b>	R600a
<b>Sabbath Mode</b>	Yes
<b>Shipping Dimensions</b>	28" W x 31" D x 37" H
<b>Shipping Weight</b>	160 lbs
<b>Temperature Range</b>	34°F to 60°F

For comprehensive installation instructions, please visit [marvelrefrigeration.com](http://marvelrefrigeration.com) to access the owner's guide. All specifications are subject to change without notice.



# MORE124

## 24" REFRIGERATOR



### MARVEL OUTDOOR COLLECTION

#### MAIN FEATURES

- 5.3 cu ft capacity stores up to 154 cans (12-oz)
- Includes 2 cantilevered stainless steel shelves
- Cantilevered shelving system can hold up to 35 lbs and features 11 adjustable heights
- Dynamic cooling technology delivers rapid cool down, frost-free operation, and temperature stability
- Digital controls allow you to select a temperature from 34°F to 60°F
- Door ajar and high/low temperature alerts
- Arctic white LED theater-style lighting
- Arctic white interior
- Door lock provides added security
- Reversible door allows for right or left swing
- Designed for outdoor use

#### WARRANTY

- 1-year parts and labor warranty and 5-year sealed system parts warranty (see complete warranty for details)

#### FINISH OPTIONS

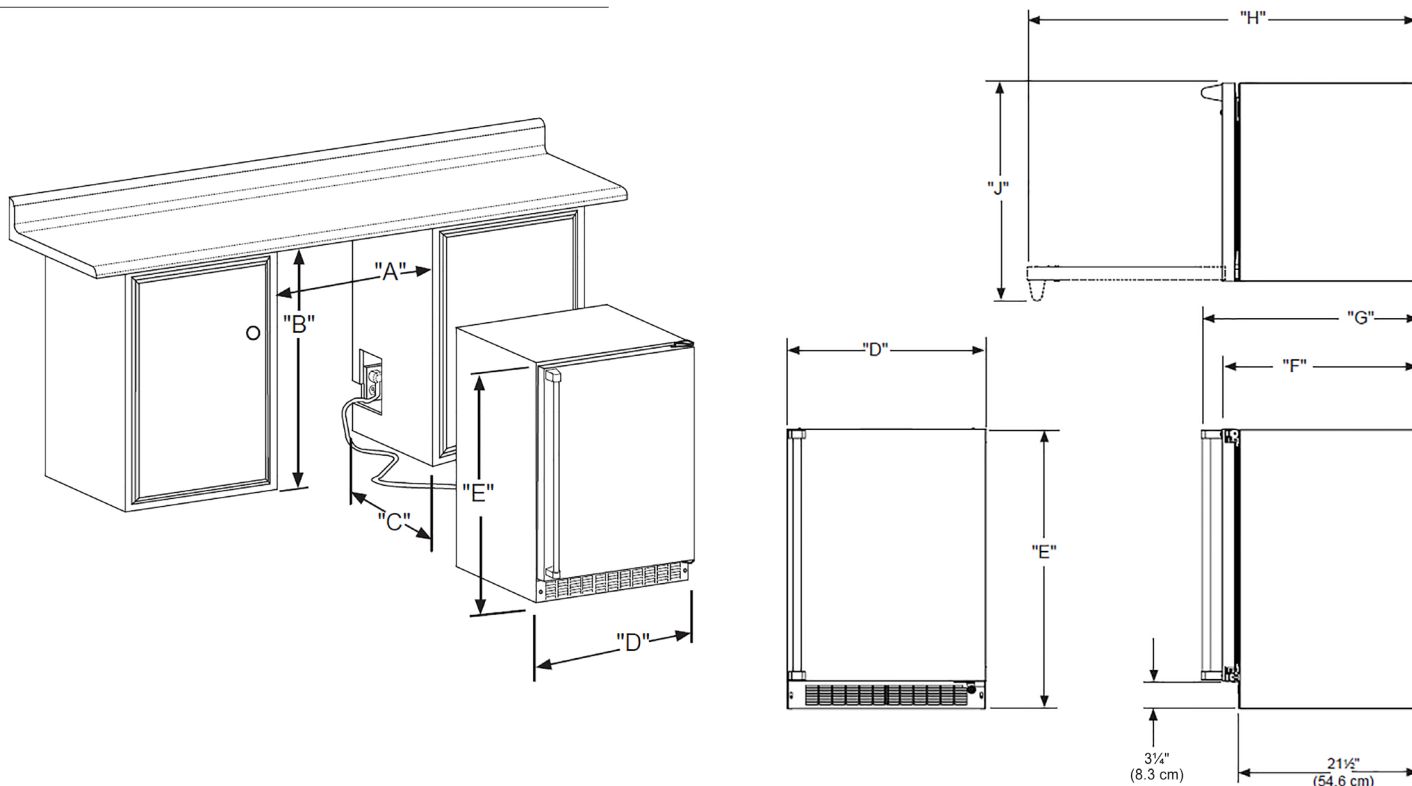


DOOR STYLE	MODEL NUMBER
Solid Stainless Steel	MORE124-SS31A





## DIMENSIONAL DRAWINGS



### ROUGH IN DIMENSIONS\*

"A"	"B"	"C"
24"	34" to 35"	24"
(61 cm)	(86.4 cm to 88.9 cm)	(61 cm)

### CABINET DIMENSIONS\*

"D"	"E"	"F"	"G"	"H"	"J"
23-7/8"	33-3/4" to 34-3/4"	23-3/4"	26-1/4"	46-3/8"	26-3/8"
(60.7 cm)	(84.5 cm to 87 cm)	(60.3 cm)	(66.2 cm)	(117.8 cm)	(67 cm)

## PRODUCT SPECIFICATIONS

<b>Capacity</b>	5.3 cu. ft.
<b>Cord Length</b>	6 ft.
<b>Electrical Requirements</b>	115V / 60 Hz / 15A
<b>ENERGY STAR</b>	Yes
<b>Refrigerant Type</b>	R600a
<b>Sabbath Mode</b>	Yes
<b>Shipping Dimensions</b>	28" W x 31" D x 37" H
<b>Shipping Weight</b>	160 lbs
<b>Temperature Range</b>	34°F to 60°F

For comprehensive installation instructions, please visit [marvelrefrigeration.com](http://marvelrefrigeration.com) to access the owner's guide. All specifications are subject to change without notice.



# MORE215

## 15" REFRIGERATOR



### MARVEL OUTDOOR COLLECTION

#### MAIN FEATURES

- 2.7 cu ft capacity stores up to 70 cans (12-oz)
- Includes 2 cantilevered stainless steel shelves
- Cantilevered shelving system can hold up to 35 lbs and features 11 adjustable heights
- Dynamic cooling technology delivers rapid cool down, frost-free operation, and temperature stability
- Digital controls allow you to select a temperature from 34°F to 60°F
- Door ajar and high/low temperature alerts
- Arctic white LED theater-style lighting
- Arctic white interior
- Door lock provides added security
- Reversible door allows for right or left swing
- Designed for outdoor use

#### WARRANTY

- 1-year parts and labor warranty and 5-year sealed system parts warranty (see complete warranty for details)

#### FINISH OPTIONS

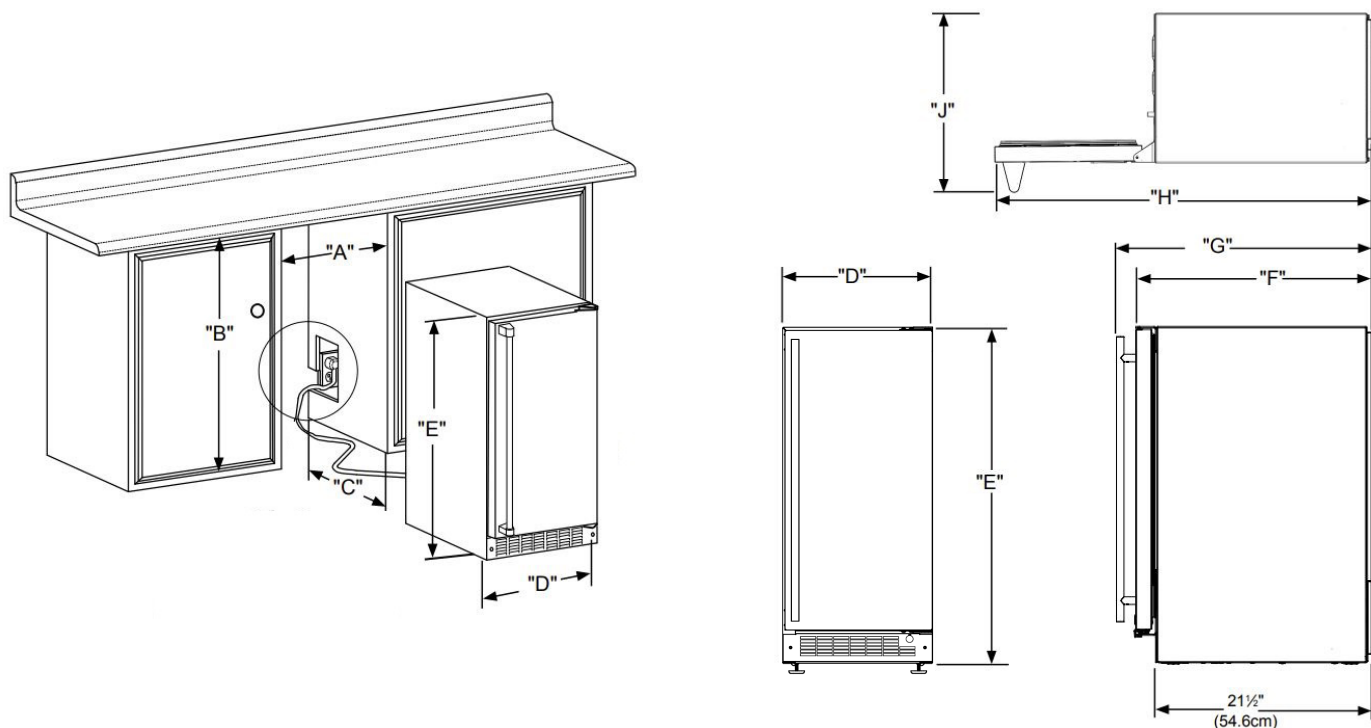


DOOR STYLE	MODEL NUMBER
Solid Stainless Steel	MORE215-SS31A





**DIMENSIONAL DRAWINGS**



**ROUGH IN DIMENSIONS\***

"A"	"B"	"C"
15"	34" to 35"	24"
(38.1 cm)	(86.4 cm to 88.9 cm)	(61 cm)

**CABINET DIMENSIONS\***

"D"	"E"	"F"	"G"	"H"	"J"
14-7/8"	33-3/4" to 34-3/4"	23-5/8"	26-1/8"	37-3/8"	16-5/8"
(37.8 cm)	(85.7 cm to 88.3 cm)	(60 cm)	(66.3 cm)	(94.9 cm)	(42.2 cm)

**PRODUCT SPECIFICATIONS**

<b>Capacity</b>	2.7 cu. ft.
<b>Cord Length</b>	6 ft.
<b>Electrical Requirements</b>	115V / 60 Hz / 15A
<b>ENERGY STAR</b>	Yes
<b>Refrigerant Type</b>	R600a
<b>Sabbath Mode</b>	Yes
<b>Shipping Dimensions</b>	19" W x 31" D x 37" H
<b>Shipping Weight</b>	125 lbs
<b>Temperature Range</b>	34°F to 60°F

For comprehensive installation instructions, please visit [marvelrefrigeration.com](http://marvelrefrigeration.com) to access the owner's guide. All specifications are subject to change without notice.



# MODR224

## 24" REFRIGERATED DRAWERS



### MARVEL OUTDOOR COLLECTION

#### MAIN FEATURES

- 5.0 cu ft. capacity stores up to 108 cans (12-oz)
- Adjustable divider organizes contents
- Dynamic cooling technology delivers rapid cool down, frost-free operation, and temperature stability
- Digital controls allow you to select a temperature from 34°F to 60°F
- Door ajar and high/low temperature alerts
- Arctic white LED theater-style lighting
- Stainless steel interior
- Door lock provides added security
- Designed for outdoor use

#### WARRANTY

- 1-year parts and labor warranty and 5-year sealed system parts warranty (see complete warranty for details)

#### FINISH OPTIONS



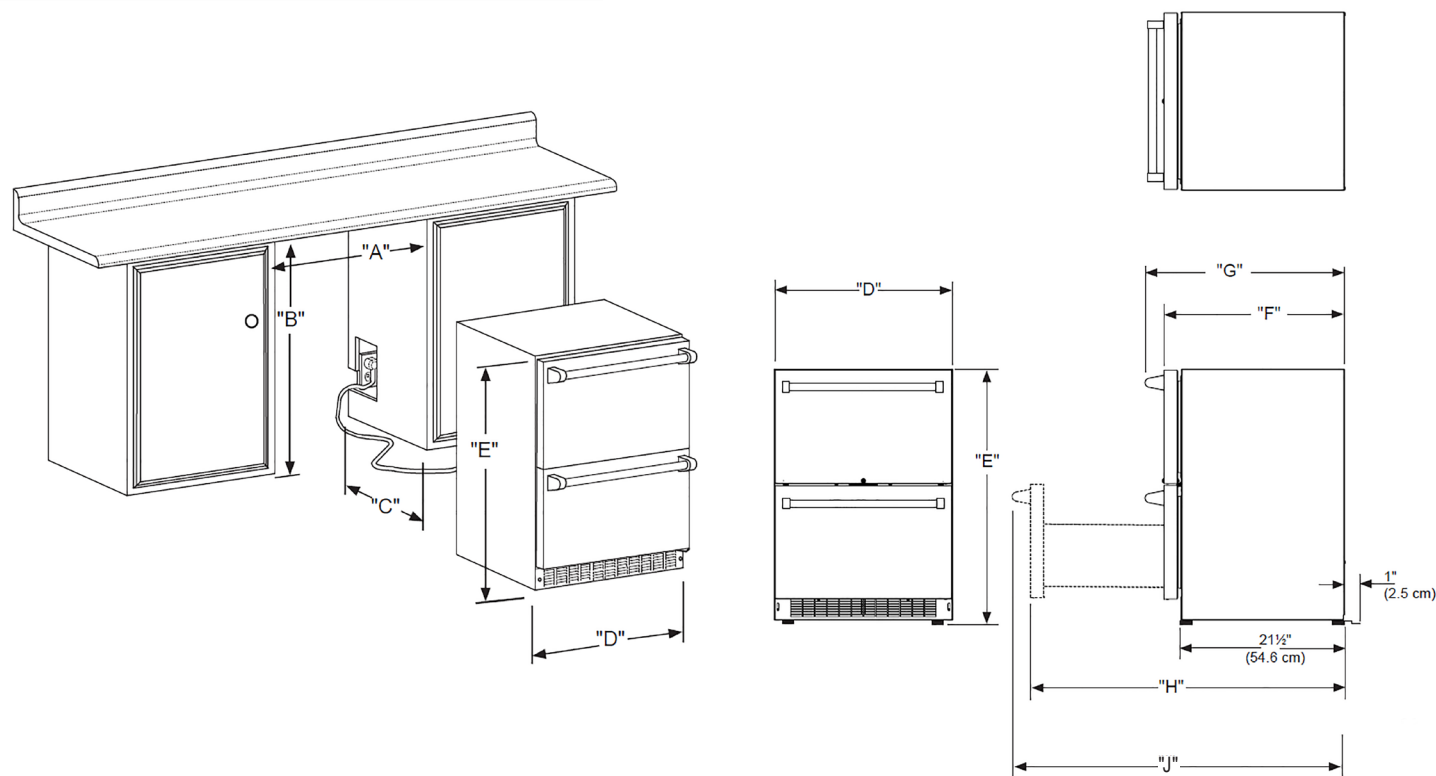
DOOR STYLE	MODEL NUMBER
Solid Stainless Steel	MODR224-SS71A







## DIMENSIONAL DRAWINGS



### ROUGH IN DIMENSIONS\*

"A"	"B"	"C"
24"	34" to 35"	24"
(61 cm)	(86.4 cm to 88.9 cm)	(61 cm)

### CABINET DIMENSIONS\*

"D"	"E"	"F"	"G"	"H"	"J"
23-7/8"	33-3/4" to 34-3/4"	23-3/4"	26-1/4"	47-3/4"	44-1/4"
(60.6 cm)	(85.4 cm to 88 cm)	(60.3 cm)	(66.7 cm)	(146.6 cm)	(104.8 cm)

## PRODUCT SPECIFICATIONS

<b>Capacity</b>	5.0 cu. ft.
<b>Cord Length</b>	6 ft.
<b>Electrical Requirements</b>	115V / 60 Hz / 15A
<b>ENERGY STAR</b>	Yes
<b>Refrigerant Type</b>	R600a
<b>Sabbath Mode</b>	Yes
<b>Shipping Dimensions</b>	28" W x 31" D x 37" H
<b>Shipping Weight</b>	160 lbs
<b>Temperature Range</b>	34°F to 60°F

For comprehensive installation instructions, please visit [marvelrefrigeration.com](http://marvelrefrigeration.com) to access the owner's guide. All specifications are subject to change without notice.



# MORF224

## 24" REFRIGERATOR-FREEZER

### MARVEL OUTDOOR COLLECTION



### MAIN FEATURES

- 3.9 cu ft. capacity holds up to 72 cans (12-oz)
- 1 cu ft. freezer holds up to 12 pints of ice cream
- 2 half-width cantilevered shelves and 1 full-width fixed shelf
- MaxStore bin stores loose items
- Cantilevered shelving system can hold up to 35 lbs and features 11 adjustable heights
- Dynamic cooling technology delivers rapid cool down, frost-free operation, and temperature stability
- Digital controls allow you to select a temperature for both the refrigerator and the freezer - Refrigerator: 34°F to 42°F, Freezer: -5°F to 0°F
- Door ajar and high/low temperature alerts
- Arctic white LED theater-style lighting
- Arctic white interior
- Door lock provides added security
- Reversible door allows for right or left swing
- Designed for outdoor use

### WARRANTY

- 1-year parts and labor warranty and 5-year sealed system parts warranty (see complete warranty for details)

### FINISH OPTIONS



#### DOOR STYLE

Solid Stainless Steel

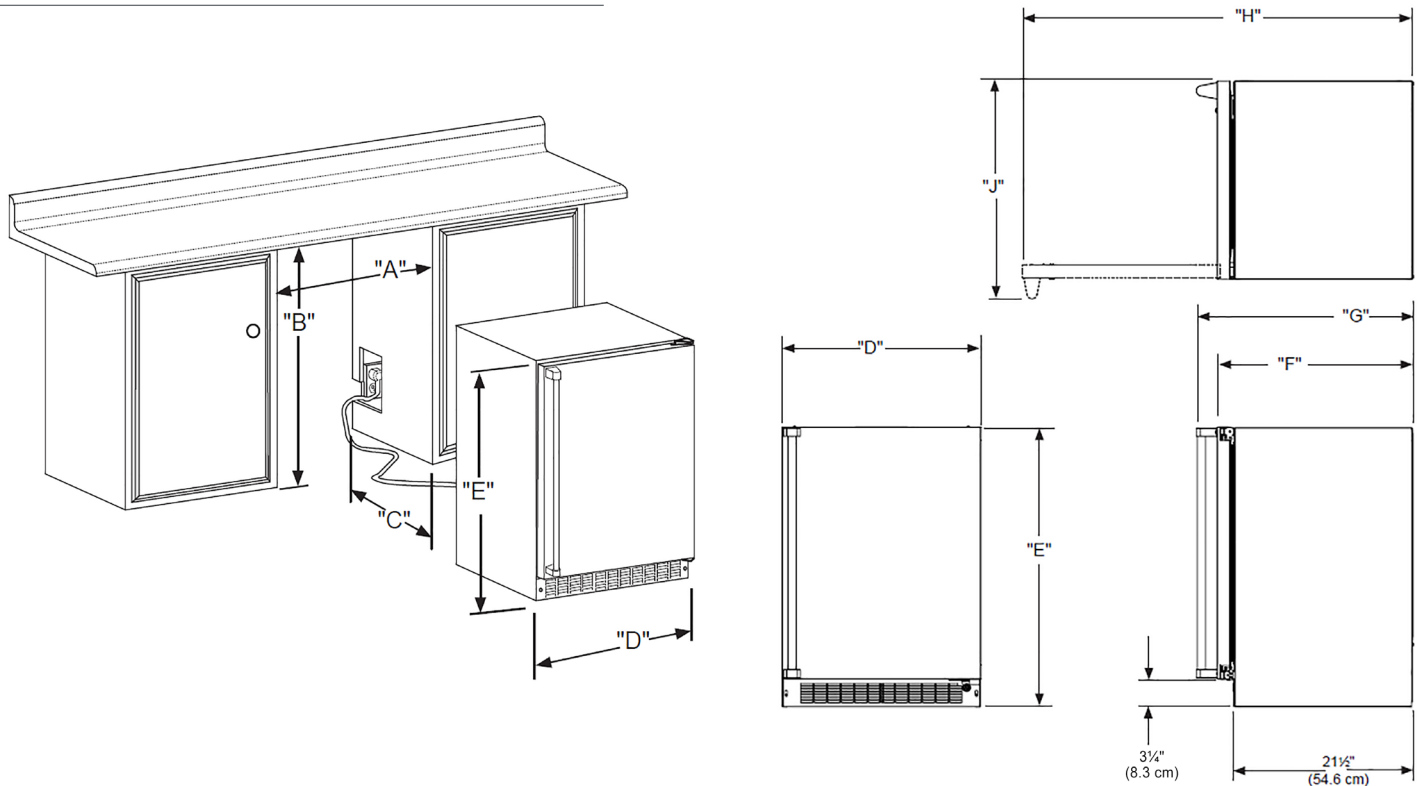
#### MODEL NUMBER

MORF224-SS31A





## DIMENSIONAL DRAWINGS



### ROUGH IN DIMENSIONS\*

"A"	"B"	"C"
24"	34" to 35"	24"
(61 cm)	(86.4 cm to 88.9 cm)	(61 cm)

### CABINET DIMENSIONS\*

"D"	"E"	"F"	"G"	"H"	"J"
23-7/8"	33-3/4" to 34-3/4"	23-3/4"	26-1/4"	46-3/8"	26-3/8"
(60.7 cm)	(84.5 cm to 87 cm)	(60.3 cm)	(66.2 cm)	(117.8 cm)	(67 cm)

## PRODUCT SPECIFICATIONS

<b>Capacity</b>	4.9 cu. ft.
<b>Cord Length</b>	6 ft.
<b>Electrical Requirements</b>	115V / 60 Hz / 15A
<b>ENERGY STAR</b>	Yes
<b>Refrigerant Type</b>	R600a
<b>Sabbath Mode</b>	Yes
<b>Shipping Dimensions</b>	28" W x 31" D x 37" H
<b>Shipping Weight</b>	160 lbs
<b>Temperature Range</b>	Refrigerator: 34°F to 42°F Freezer: -5°F to 0°F

For comprehensive installation instructions, please visit [marvelrefrigeration.com](http://marvelrefrigeration.com) to access the owner's guide. All specifications are subject to change without notice.



# MORI224

## 24" REFRIGERATOR WITH CRESCENT ICE MAKER

### MARVEL OUTDOOR COLLECTION



### MAIN FEATURES

- 3.9 cu ft. refrigerator holds up to 72 cans (12-oz)
- Crescent ice maker produces up to 7 lbs of ice per day and stores up to 13 lbs of ice
- 2 half-width cantilevered shelves and 1 full-width fixed shelf
- MaxStore bin stores loose items
- Cantilevered shelving system can hold up to 35 lbs and features 11 adjustable heights
- Dynamic cooling technology delivers rapid cool down, frost-free operation, and temperature stability
- Digital controls allow you to select a temperature from 34°F to 42°F
- Door ajar and high/low temperature alerts
- Arctic white LED theater-style lighting
- Arctic white interior
- Door lock provides added security
- Reversible door allows for right or left swing
- Designed for outdoor use

### WARRANTY

- 1-year parts and labor warranty and 5-year sealed system parts warranty (see complete warranty for details)

### FINISH OPTIONS

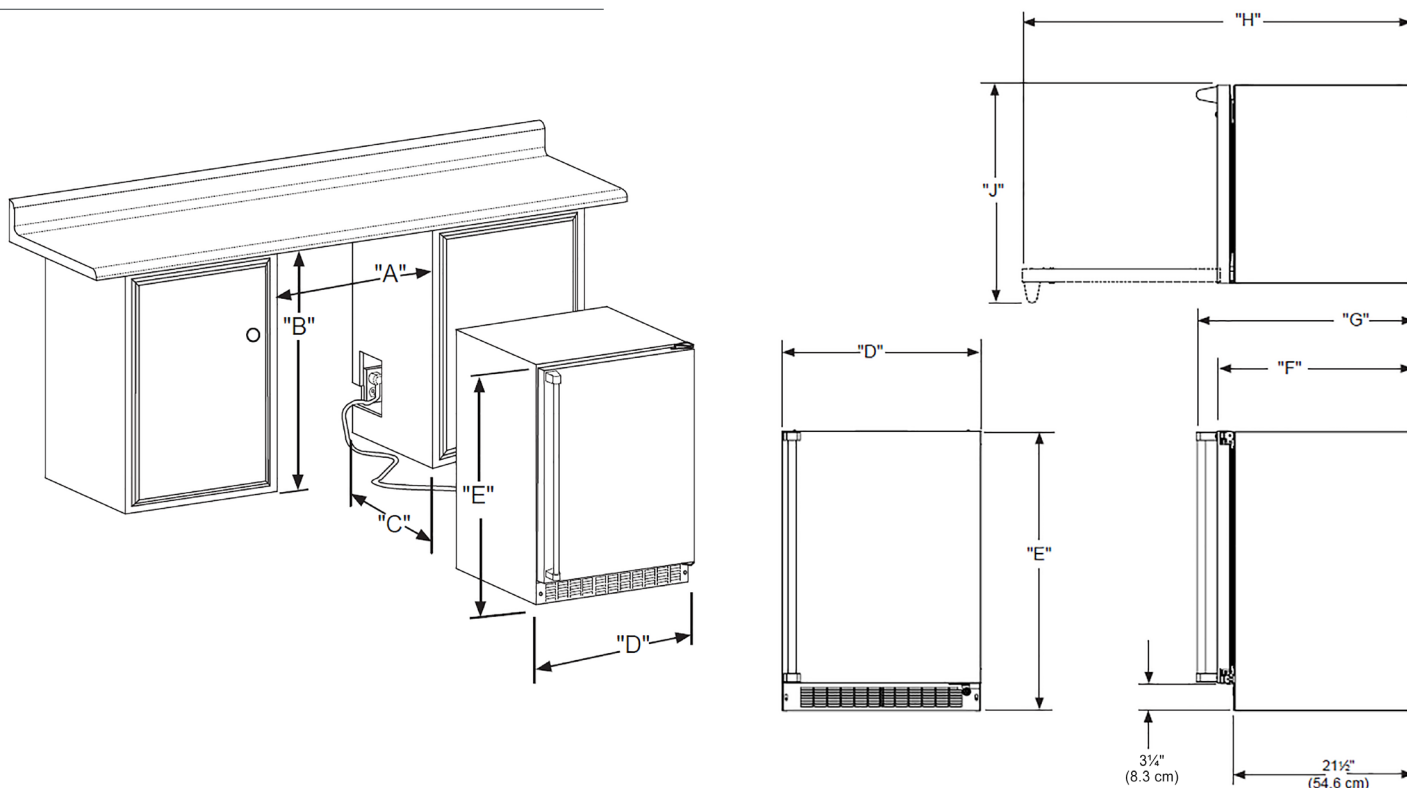


DOOR STYLE	MODEL NUMBER
Solid Stainless Steel	MORI224-SS31A





## DIMENSIONAL DRAWINGS



### ROUGH IN DIMENSIONS\*

"A"	"B"	"C"
24"	34" to 35"	24"
(61 cm)	(86.4 cm to 88.9 cm)	(61 cm)

### CABINET DIMENSIONS\*

"D"	"E"	"F"	"G"	"H"	"J"
23-7/8"	33-3/4" to 34-3/4"	23-3/4"	26-1/4"	46-3/8"	26-3/8"
(60.7 cm)	(84.5 cm to 87 cm)	(60.3 cm)	(66.2 cm)	(117.8 cm)	(67 cm)

## PRODUCT SPECIFICATIONS

<b>Capacity</b>	4.9 cu. ft.
<b>Cord Length</b>	6 ft.
<b>Electrical Requirements</b>	115V / 60 Hz / 15A
<b>ENERGY STAR</b>	Yes
<b>Refrigerant Type</b>	R600a
<b>Sabbath Mode</b>	Yes
<b>Shipping Dimensions</b>	28" W x 31" D x 37" H
<b>Shipping Weight</b>	160 lbs
<b>Temperature Range</b>	34°F to 42°F

For comprehensive installation instructions, please visit [marvelrefrigeration.com](http://marvelrefrigeration.com) to access the owner's guide. All specifications are subject to change without notice.



# MOFZ224

## 24" FREEZER



### MARVEL OUTDOOR COLLECTION

#### MAIN FEATURES

- 4.9 cu ft. capacity
- Includes 2 chrome wire bins
- Also includes 1 cantilevered stainless steel shelf
- Dynamic cooling technology delivers rapid cool down and temperature stability
- Digital controls allow you to select a temperature from -10°F to 10°F
- Door ajar and high/low temperature alerts
- Arctic white LED theater-style lighting
- Arctic white interior
- Door lock provides added security
- Reversible door allows for right or left swing
- Designed for outdoor use

#### FINISH OPTIONS



DOOR STYLE	MODEL NUMBER
Solid Stainless Steel	MOFZ224-SS31A

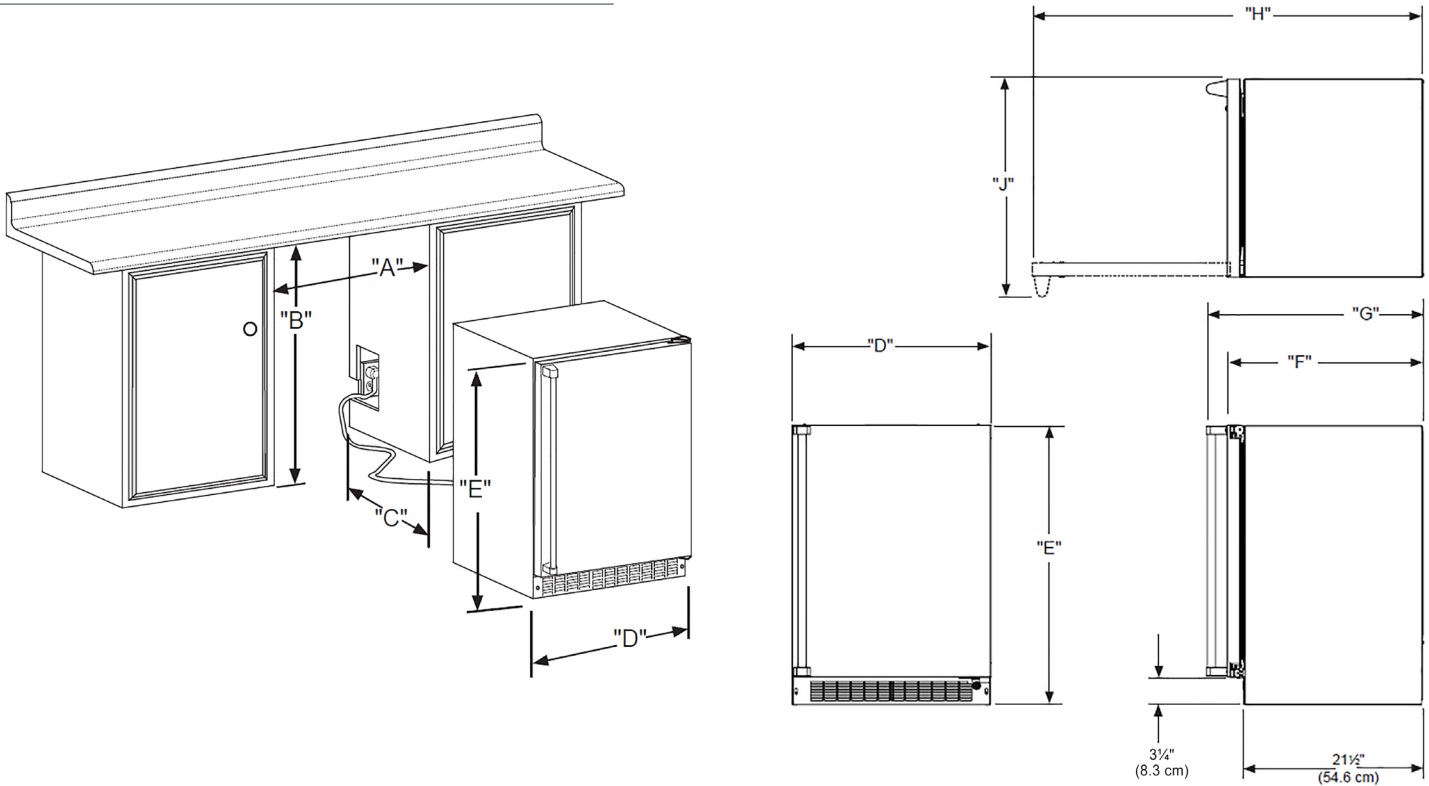
#### WARRANTY

- 1-year parts and labor warranty and 5-year sealed system parts warranty (see complete warranty for details)





## DIMENSIONAL DRAWINGS



### ROUGH IN DIMENSIONS\*

"A"	"B"	"C"
24"	34" to 35"	24"
(61 cm)	(86.4 cm to 88.9 cm)	(61 cm)

### CABINET DIMENSIONS\*

"D"	"E"	"F"	"G"	"H"	"J"
23-7/8"	33-3/4" to 34-3/4"	23-3/4"	26-1/4"	46-3/8"	26-3/8"
(60.7 cm)	(84.5 cm to 87 cm)	(60.3 cm)	(66.2 cm)	(117.8 cm)	(67 cm)

## PRODUCT SPECIFICATIONS

<b>Capacity</b>	4.9 CU. FT.
<b>Cord Length</b>	6 FT.
<b>Electrical Requirements</b>	115V / 60 Hz / 15A
<b>ENERGY STAR</b>	Yes
<b>Refrigerant Type</b>	R600a
<b>Sabbath Mode</b>	Yes
<b>Shipping Dimensions</b>	28" W x 31" D x 37" H
<b>Shipping Weight</b>	160 LBS
<b>Temperature Range</b>	-10°F to 10°F

For comprehensive installation instructions, including panel overlay details, please visit [marvelrefrigeration.com](http://marvelrefrigeration.com) to access the owner's guide. All specifications are subject to change without notice.



# MOKR124

## 24" BEVERAGE DISPENSER

### MARVEL OUTDOOR COLLECTION



### MAIN FEATURES

- 5.7 cu ft. capacity
- Stores half kegs, tall quarter kegs, pony kegs, sixth barrels, Cornelius kegs, bottles or cans
- Lo-Boy coupler makes it easier to store, tap and swap out tall U.S. type D half barrels
- Includes 2 stow-on-board stainless steel shelves to convert unit into refrigerator
- Secure gas tank storage area and drain basin
- Dynamic Cooling Technology delivers temperature stability
- Integrated drain system keeps spillage under control
- Double-insulated tower reduces foam on pour
- Digital controls allow you to select a temperature from 34°F to 60°F
- Beer and wine tap kits with single or twin tap options (sold separately)
- Door ajar and high/low temperature alerts
- Arctic white LED theater-style lighting
- Door lock provides added security
- Reversible door allows for right or left swing
- Designed for outdoor use

### WARRANTY

- 1-year parts and labor warranty and 5-year sealed system parts warranty (see complete warranty for details)

### FINISH OPTIONS



\*Tap kit accessories sold separately

DOOR STYLE	MODEL NUMBER
Solid Stainless Steel (Built-In)	MOKR124-SS31A

TAP KIT ACCESSORIES*	PART #
Wine Single Tap Kit with Nitro Tank & Fittings	S42418647-ACCY
Wine Twin Tap Kit with Nitro Tank & Fittings	S42418649-ACCY
Universal Single Tap Kit with CO2 Tank & Fittings	S42418645-ACCY
Universal Twin Tap Kit with CO2 Tank & Fittings	S42418646-ACCY

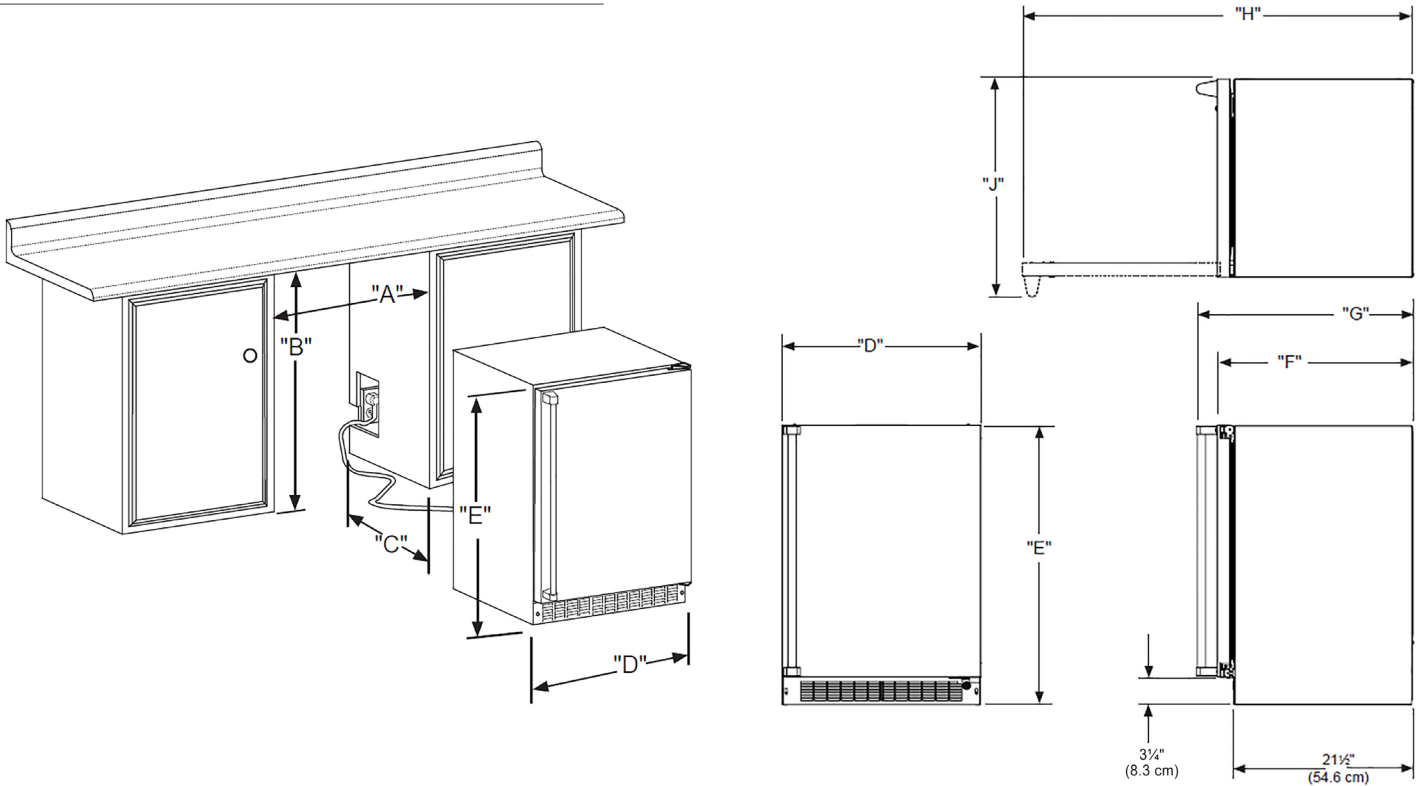
\*Kit includes tower/tap, regulator, D-style Lo-Boy coupler, gas hose, hose clamps, faucet wrench, tower gasket, tower mounting screws and gas tank.







## DIMENSIONAL DRAWINGS



### ROUGH IN DIMENSIONS\*

"A"	"B"	"C"
24"	34" to 35"	24"
(61 cm)	(86.4 cm to 88.9 cm)	(61 cm)

### CABINET DIMENSIONS\*

"D"	"E"	"F"	"G"	"H"	"J"
23-7/8"	33-3/4" to 34-3/4"	23-3/4"	26-1/4"	46-3/8"	26-3/8"
(60.7 cm)	(84.5 cm to 87 cm)	(60.3 cm)	(66.2 cm)	(117.8 cm)	(67 cm)

## PRODUCT SPECIFICATIONS

<b>Capacity</b>	5.7 CU. FT.
<b>Cord Length</b>	6 FT.
<b>Electrical Requirements</b>	115V / 60 Hz / 15A
<b>ENERGY STAR</b>	Yes
<b>Refrigerant Type</b>	R600a
<b>Sabbath Mode</b>	Yes
<b>Shipping Dimensions</b>	28" W x 31" D x 37" H
<b>Shipping Weight</b>	160 LBS
<b>Temperature Range</b>	34°F to 60°F

For comprehensive installation instructions, including panel overlay details, please visit [marvelrefrigeration.com](http://marvelrefrigeration.com) to access the owner's guide. All specifications are subject to change without notice.



# MOKR224

## 24" MOBILE BEVERAGE DISPENSER

### MARVEL OUTDOOR COLLECTION



### MAIN FEATURES

- 5.7 cu ft. capacity
- Stores half kegs, tall quarter kegs, pony kegs, sixth barrels, Cornelius kegs, bottles or cans
- Lo-Boy coupler makes it easier to store, tap and swap out tall U.S. type D half barrels
- Includes 2 stow-on-board stainless steel shelves to convert unit into refrigerator
- 4 casters included for mobility
- Secure gas tank storage area and drain basin
- Dynamic Cooling Technology delivers temperature stability
- Integrated drain system keeps spillage under control
- Double-insulated tower reduces foam on pour
- Digital controls allow you to select a temperature from 34°F to 60°F
- Beer and wine tap kits with single or twin tap options (sold separately)
- Door ajar and high/low temperature alerts
- Arctic white LED theater-style lighting
- Door lock provides added security
- Reversible door allows for right or left swing
- Designed for outdoor use

### WARRANTY

- 1-year parts and labor warranty and 5-year sealed system parts warranty (see complete warranty for details)

### FINISH OPTIONS



\*Tap kit accessories sold separately

DOOR STYLE	MODEL NUMBER
Solid Stainless Steel (Mobile)	MOKR224-SS31A

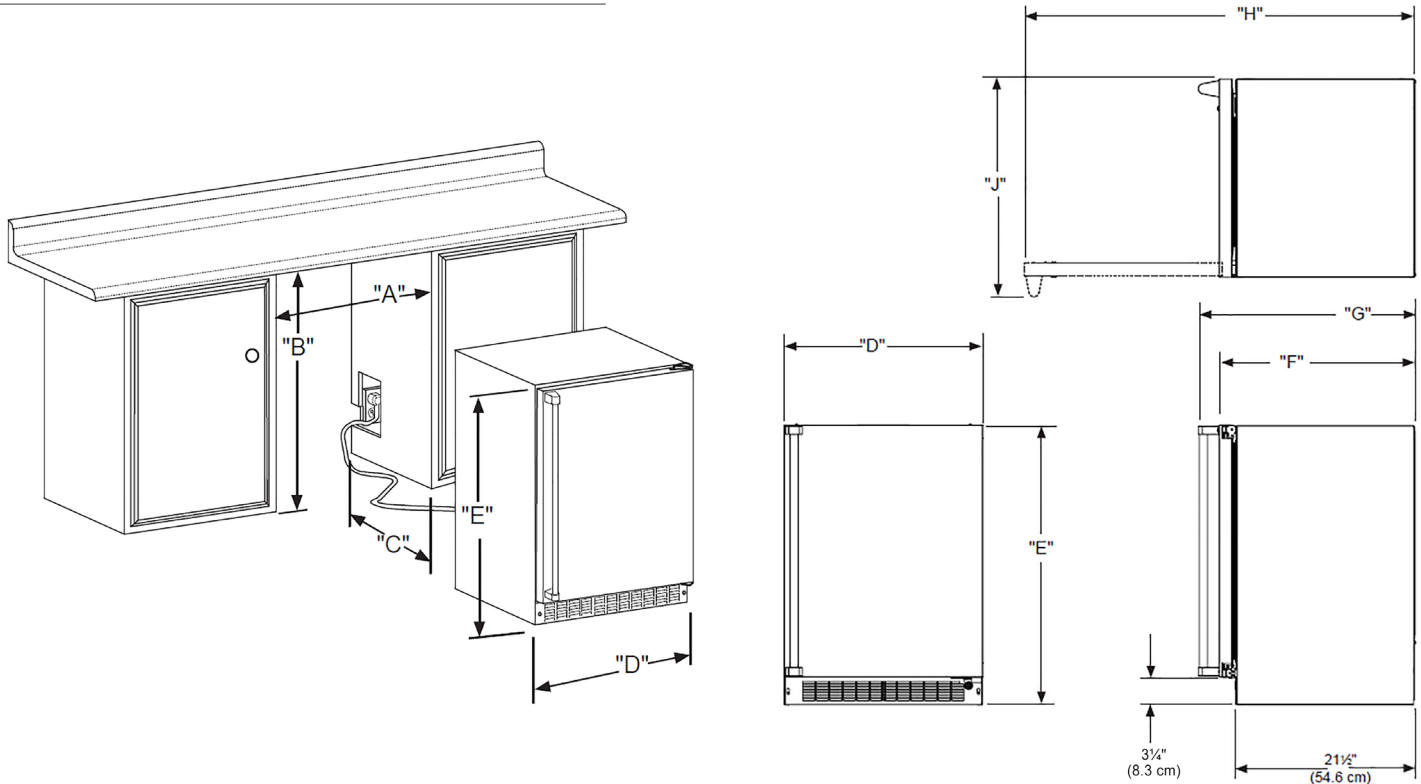
TAP KIT ACCESSORIES*	PART #
Wine Single Tap Kit with Nitro Tank & Fittings	S42418647-ACCY
Wine Twin Tap Kit with Nitro Tank & Fittings	S42418649-ACCY
Universal Single Tap Kit with CO2 Tank & Fittings	S42418645-ACCY
Universal Twin Tap Kit with CO2 Tank & Fittings	S42418646-ACCY

\*Kit includes tower/tap, regulator, D-style Lo-Boy coupler, gas hose, hose clamps, faucet wrench, tower gasket, tower mounting screws and gas tank.





## DIMENSIONAL DRAWINGS



### ROUGH IN DIMENSIONS\*

"A"	"B"	"C"
24"	34" to 35"	24"
(61 cm)	(86.4 cm to 88.9 cm)	(61 cm)

### CABINET DIMENSIONS\*

"D"	"E"	"F"	"G"	"H"	"J"
23-7/8"	33-3/4" to 34-3/4"	23-3/4"	26-1/4"	46-3/8"	26-3/8"
(60.7 cm)	(84.5 cm to 87 cm)	(60.3 cm)	(66.2 cm)	(117.8 cm)	(67 cm)

## PRODUCT SPECIFICATIONS

<b>Capacity</b>	5.7 CU. FT.
<b>Cord Length</b>	6 FT.
<b>Electrical Requirements</b>	115V / 60 Hz / 15A
<b>ENERGY STAR</b>	Yes
<b>Refrigerant Type</b>	R600a
<b>Sabbath Mode</b>	Yes
<b>Shipping Dimensions</b>	28" W x 31" D x 37" H
<b>Shipping Weight</b>	160 LBS
<b>Temperature Range</b>	34°F to 60°F

For comprehensive installation instructions, including panel overlay details, please visit [marvelrefrigeration.com](http://marvelrefrigeration.com) to access the owner's guide. All specifications are subject to change without notice.



# MOCP215/MOCL215

## 15" CLEAR ICE MACHINE



### MARVEL OUTDOOR COLLECTION

#### MAIN FEATURES

- Produces 3/4" clear ice cubes
- Produces up to 39 pounds of clear ice per day
- Stores up to 23 pounds of clear ice
- Ice scoop included with dedicated holder
- Door ajar and cleaning alerts
- Arctic white LED theater-style lighting
- Elegant midnight black interior
- Reversible door allows for right or left swing
- Designed for outdoor use

#### WARRANTY

- 1-year parts and labor warranty and 5-year sealed system parts warranty (see complete warranty for details)

#### FINISH OPTIONS

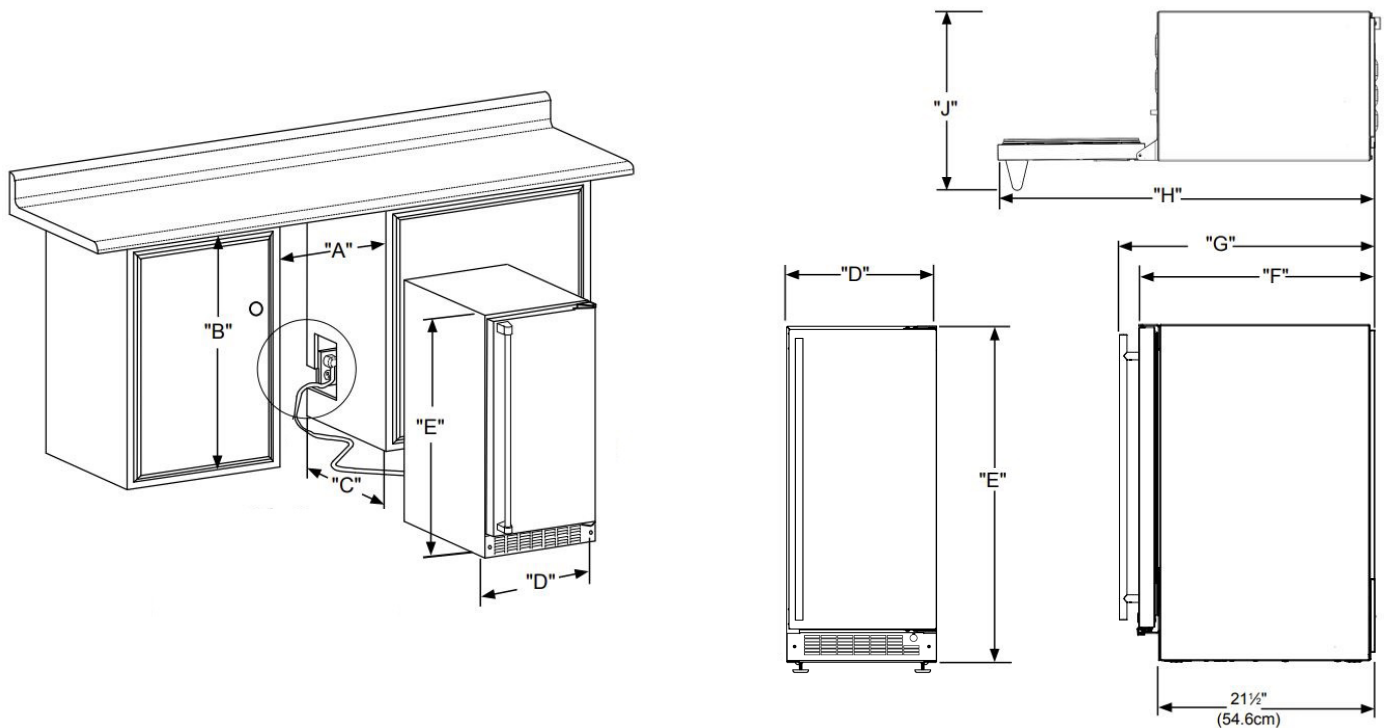


DOOR STYLE	PUMP	MODEL NUMBER
Solid Stainless Steel	Yes	MOCP215-SS01B
Solid Stainless Steel	No	MOCL215-SS01B





## DIMENSIONAL DRAWINGS



### ROUGH IN DIMENSIONS\*

"A"	"B"	"C"
15"	34" to 35"	24"
(38.1 cm)	(86.4 cm to 88.9 cm)	(61 cm)

### CABINET DIMENSIONS\*

"D"	"E"	"F"	"G"	"H"	"J"
14-7/8"	33-3/4" to 34-3/4"	23-5/8"	26-1/8"	37-3/8"	16-5/8"
(37.8 cm)	(85.7 cm to 88.3 cm)	(60 cm)	(66.3 cm)	(94.9 cm)	(42.2 cm)

\*Stainless steel model dimensions only. For panel-ready models, see the owner's guide online at [marvelrefrigeration.com](http://marvelrefrigeration.com).

## PRODUCT SPECIFICATIONS

<b>Capacity</b>	23 LBS
<b>Cord Length</b>	6 FT.
<b>Electrical Requirements</b>	115V / 60 Hz / 15A
<b>ENERGY STAR</b>	No
<b>Refrigerant Type</b>	R600a
<b>Sabbath Mode</b>	Yes
<b>Shipping Dimensions</b>	25" W x 31" D x 37" H
<b>Shipping Weight</b>	160 LBS



# MOCR215

## 15" CRESCENT ICE MAKER



### MARVEL OUTDOOR COLLECTION

#### MAIN FEATURES

- Produces and stores up to 25 lbs of crescent ice per day
- Removable ice bin
- No pump or drain required
- Crescent ice dimensions: 1/2 W x 3/4 H x 2-1/4 L
- On / Off switch at the front of the unit
- Arctic white interior
- Reversible door allows for right or left swing
- Designed for outdoor use

#### WARRANTY

- 1-year parts and labor warranty and 5-year sealed system parts warranty (see complete warranty for details)

#### FINISH OPTIONS

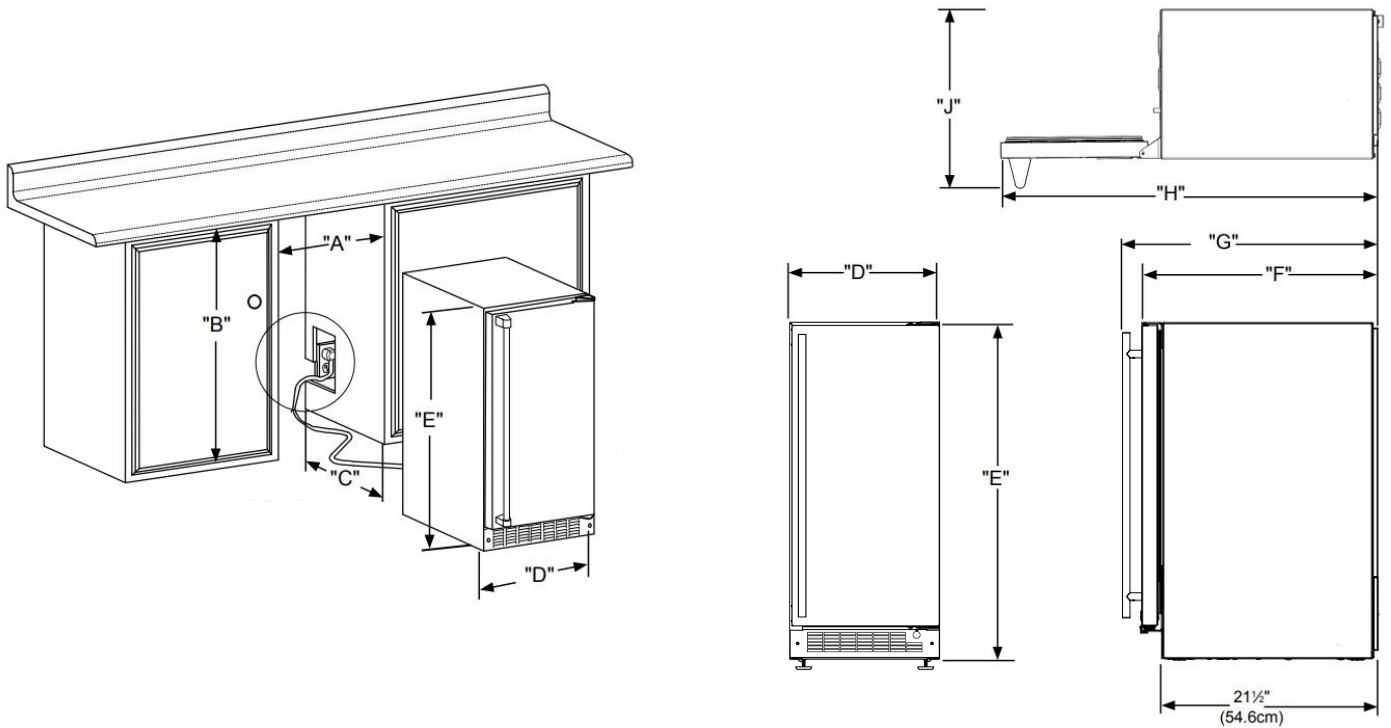


DOOR STYLE	MODEL NUMBER
Solid Stainless Steel	MOCR215-SS01B





**DIMENSIONAL DRAWINGS**



**ROUGH IN DIMENSIONS\***

"A"	"B"	"C"
15"	34-1/4" to 35-1/4"	24"
(38.1 cm)	(87 cm to 89.5 cm)	(61 cm)

**CABINET DIMENSIONS\***

"D"	"E"	"F"	"G"	"H"	"J"
14-7/8"	34-1/8" to 35-1/8"	23-5/8"*	24-1/8"*	38-3/4"*	17-1/2"*
(37.8 cm)	(86.7 cm to 89.2 cm)	(60 cm)	(61.3 cm)	(98.4 cm)	(44.4 cm)

\*Stainless steel model dimensions only. For panel-ready models, see the owner's guide online at [marvelrefrigeration.com](http://marvelrefrigeration.com).

**PRODUCT SPECIFICATIONS**

<b>Capacity</b>	25 LBS
<b>Cord Length</b>	6 FT.
<b>Electrical Requirements</b>	115V / 60 Hz / 15A
<b>ENERGY STAR</b>	No
<b>Refrigerant Type</b>	R600a
<b>Sabbath Mode</b>	No
<b>Shipping Dimensions</b>	19" W x 31" D x 37" H
<b>Shipping Weight</b>	25 LBS



# INTELLIGENT DESIGN, AMERICAN-BUILT INTEGRITY

As the longest-standing refrigeration company in North America, we are proud to have pioneered numerous advancements that have helped shape refrigeration technology into what it is today.

Our decorated past began in 1892 in Greenville, Michigan, a community where our manufacturing facility is still based today. Our legacy of quality craftsmanship continues to stand strong throughout the centuries, driving the performance the industry has come to expect.

When you choose Marvel Refrigeration, you're choosing years of handcrafted American-made quality and leading innovation in the luxury refrigeration market.







Our knowledgeable team is located at our headquarters in Greenville, Michigan. We're here to answer questions, help you find a local dealer or service and more.

[marvelrefrigeration.com](http://marvelrefrigeration.com) | (616) 754-5601

