



**San Souci®**  
 One-piece compact elongated toilet with concealed trapway, 1.28 gpf  
**K-5172**

**Features**

- One-piece toilets integrate the tank and bowl into a seamless, easy-to-clean design.
- Compact elongated bowl offers added comfort while occupying the same space as a round-front bowl.
- Low-profile design.
- Comfort Height® feature offers chair-height seating that makes sitting down and standing up easier for most adults.
- 1.28 gpf (4.8 lpf).
- Concealed trapway and Clean Caps® low-profile bolt caps facilitate easier cleaning and enhance design.
- Includes K-4008 Reveal® Quiet-Close™ seat.
- Left-hand Polished Chrome trip lever.
- Quiet-Close™ compact elongated seat closes quietly.



**Technology**

- Single-flush gravity uses the force of gravity and a precision-engineered tank, bowl, and trapway to create a strong siphon during flushing.
- AquaPiston® canister allows water to flow into the bowl from all sides (360°), increasing the power and effectiveness of the flush.
- Flush valve's 3:2 ratio harnesses the natural force of gravity and optimizes flush performance.
- Durable canister design has 90% less exposed seal material than a 3" flapper for leak-free performance.
- Light-touch canister flush requires a lower actuation force than a flapper.

**Installation**

- Standard 12" (305 mm) rough-in.
- Supply line sold separately.

**Water Conservation & Rebates**

- Eligible for consumer rebates in some municipalities.

**Recommended Products/Accessories**

- K-75796 Cachet® Nightlight Quiet-Close™ elongated toilet seat
- K-4108 C³®-230 Elongated bidet toilet seat with remote control
- K-9171-L Trip Lever for K-5172  
1023457  
1265114
- K-23726 Drain treatment

**Included Components**

Additional Components:  
 4008 . . . . .

|     |          |     |
|-----|----------|-----|
| ADA | CSA B651 | OBC |
|-----|----------|-----|

**Codes/Standards**

- ASME A112.19.2/CSA B45.1
- DOE - Energy Policy Act 1992
- EPA WaterSense®
- California Energy Commission (CEC)
- ADA
- ICC/ANSI A117.1
- CSA B651
- OBC

**KOHLER® Toilets and Seats Limited Warranty**

See website for detailed warranty information.

**Available Colors/Finishes**

*Color tiles intended for reference only.*

| Color | Code | Description   |
|-------|------|---------------|
|       | 0    | White         |
|       | 96   | Biscuit       |
|       | NY   | Dune          |
|       | 95   | Ice™ Grey     |
|       | 58   | Thunder™ Grey |
|       | 7    | Black Black™  |

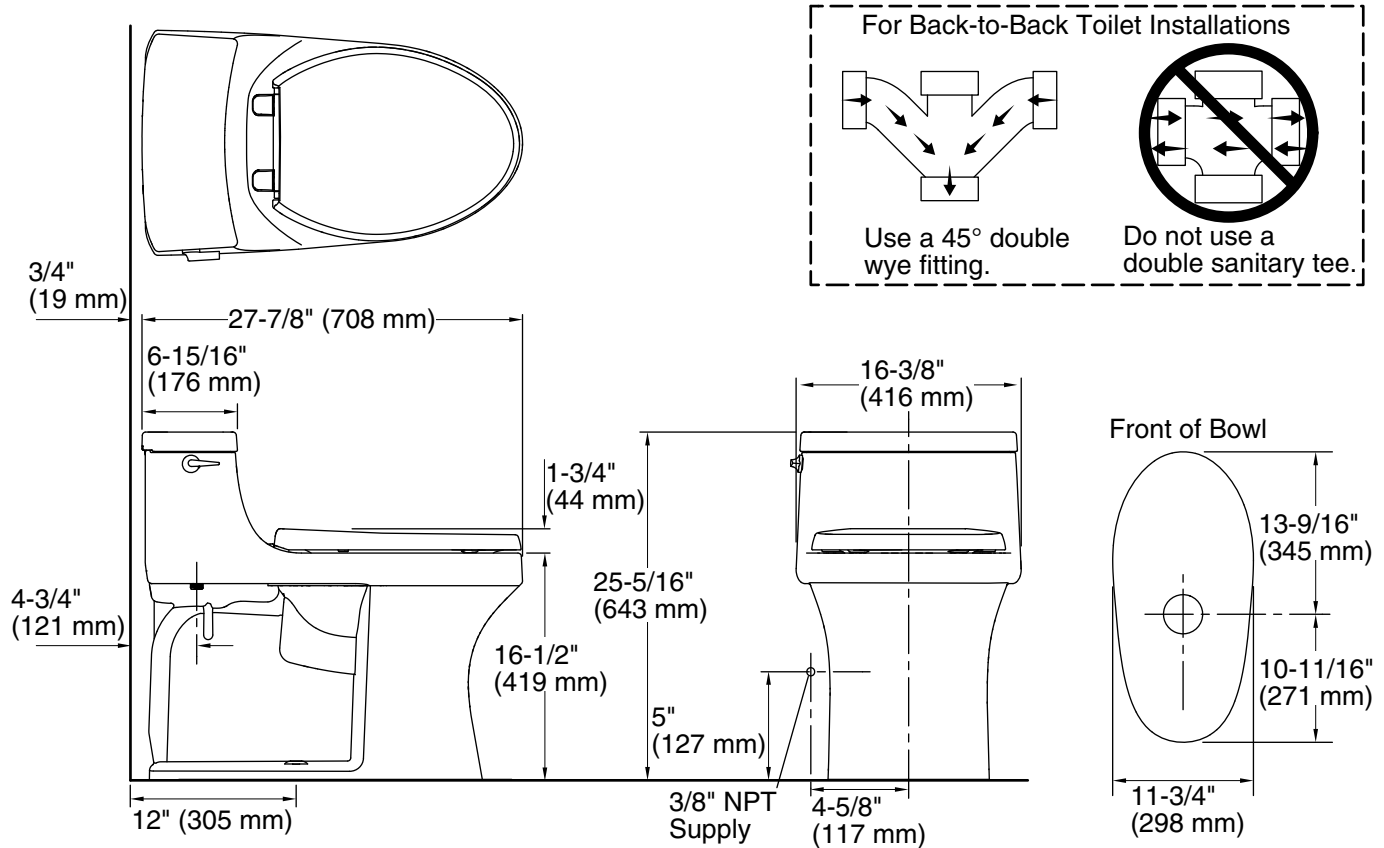
1-800-4KOHLER (1-800-456-4537)

Kohler Co. reserves the right to make revisions without notice to product specifications.

For the most current Specification Sheet, go to [www.kohler.com](http://www.kohler.com).

10-3-2022 21:12 - US/CA/MX





## Technical Information

All product dimensions are nominal.

|                       |                                    |
|-----------------------|------------------------------------|
| Toilet type:          | Floor-mount                        |
| Waste Outlet:         | Floor                              |
| Bowl shape:           | Compact elongated                  |
| Flush type:           | Class Five®                        |
| Trap passageway:      | 2-1/8" (54 mm)                     |
| Water Consumption     |                                    |
| Full:                 | 1.28 gpf (4.8 lpf)                 |
| Water surface size:   | 10-3/4" x 7-1/2" (273 mm x 191 mm) |
| Rim to water surface: | 5-3/8" (137 mm)                    |
| Rough-in:             | 12" (305 mm)                       |
| Seat-mounting holes:  | 5-1/2" (140 mm)                    |

## Notes

Install this product according to the installation instructions.

For back-to-back toilet installations: Use only a 45° double wye fitting.

ADA, OBC, CSA B651 compliant when installed to the specific requirements of these regulations.

Plumbing codes may require elongated toilets and elongated, open-front seats in public bathrooms.

Accessibility standards may require controls to be located on the open side of the toilet.