

## PRISM FIXED CASEMENT



### PROJECT ID:

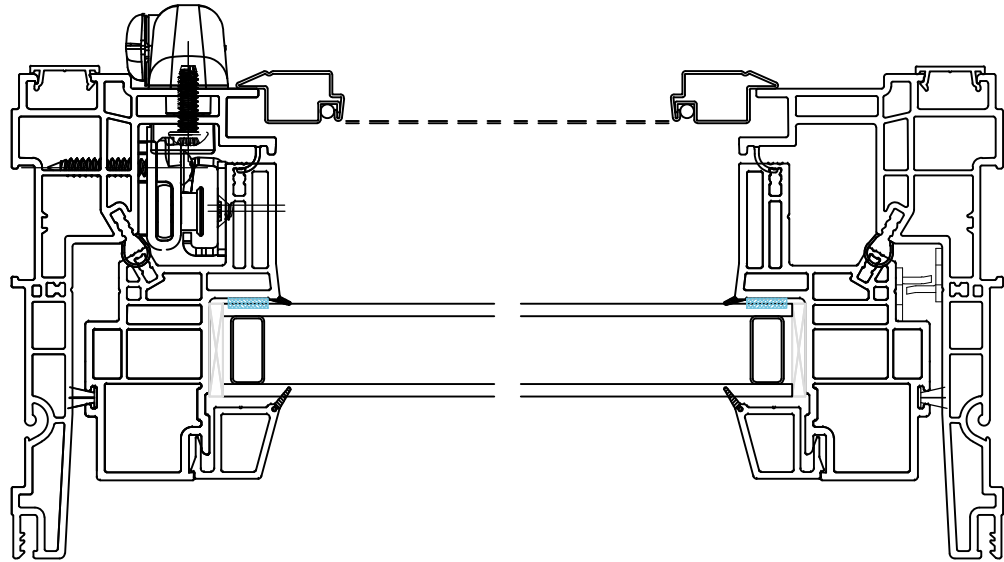
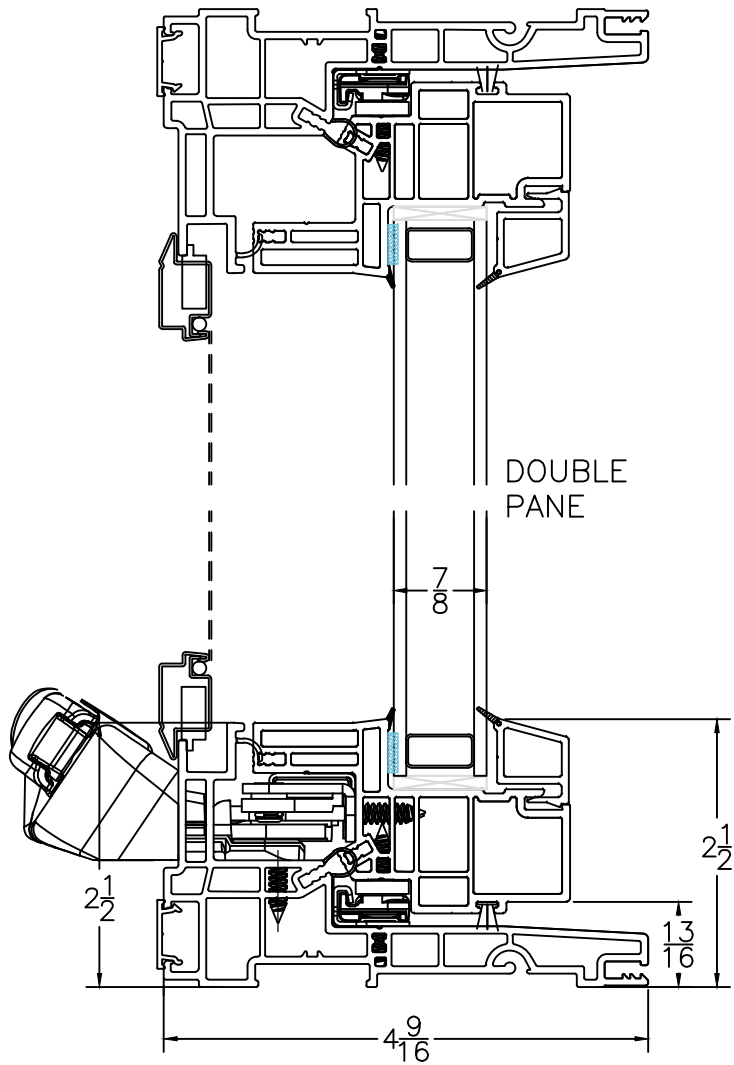
248 BOWES ROAD  
CONCORD, ONTARIO, L4K 1J9  
TEL: (905) 660-5021  
FAX: (905) 660 2419

DRAWN BY:


DATE: 22.6.21

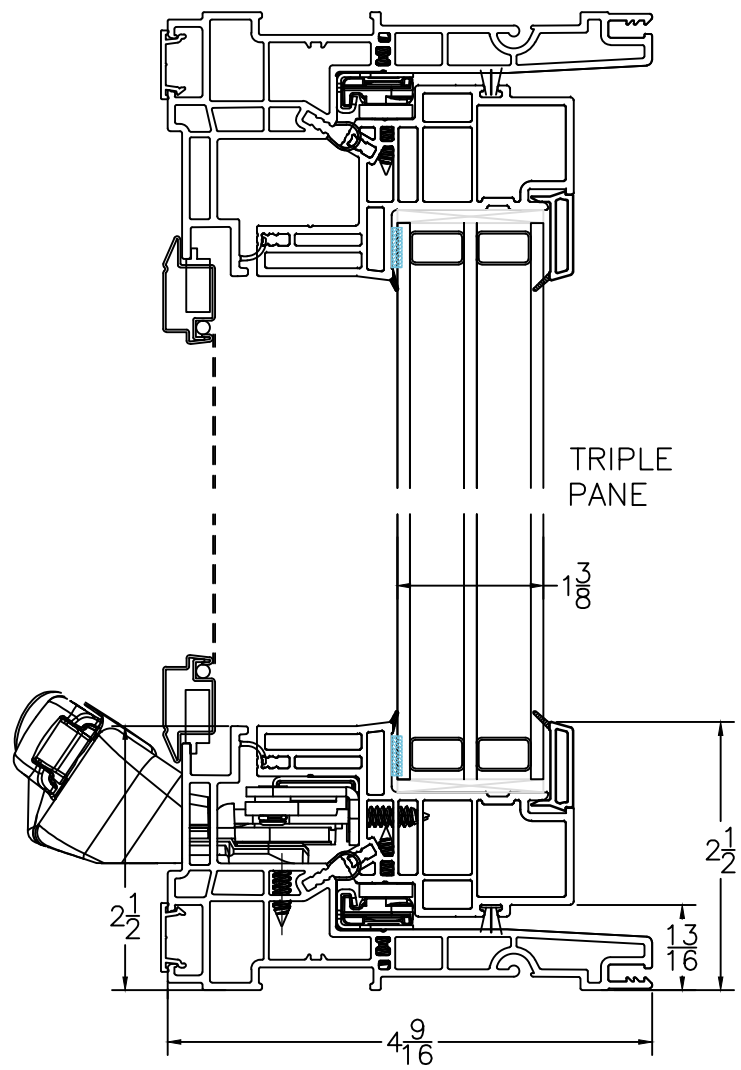
APPROVED BY:

REVISION:

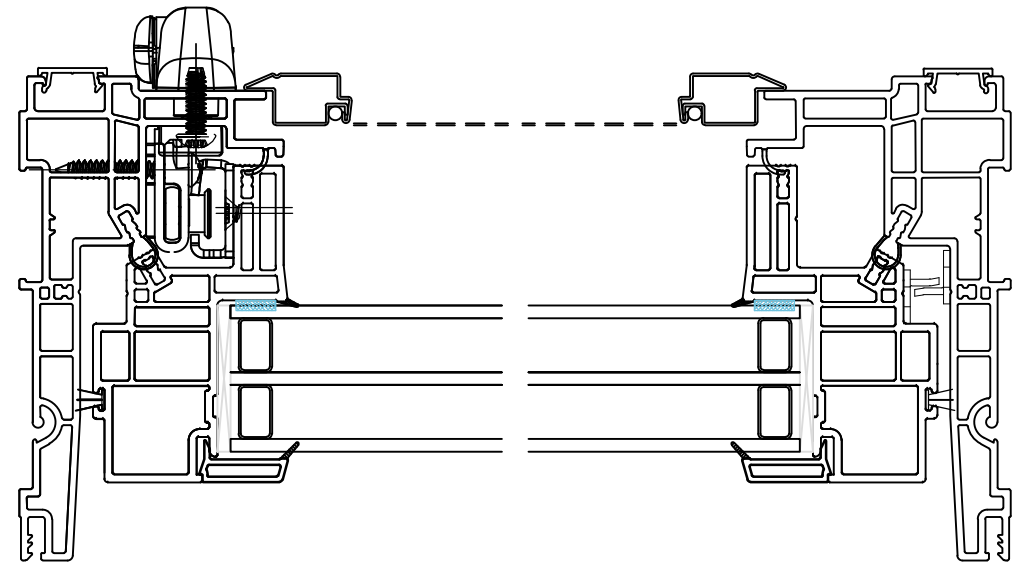


# PRISM CASEMENT-DOUBLE PANE

	<b>PROJECT ID:</b> 248 BOWES ROAD CONCORD, ONTARIO, L4K 1J9 TEL: (905) 660-5021 FAX: (905) 660 2419	
	<b>DRAWN BY:</b>	<b>DATE:</b> 22.6.21
	<b>APPROVED BY:</b>	<b>REVISION:</b>



TRIPLE  
PANE



PRISM CASEMENT-TRIPLE PANE

PROJECT ID:



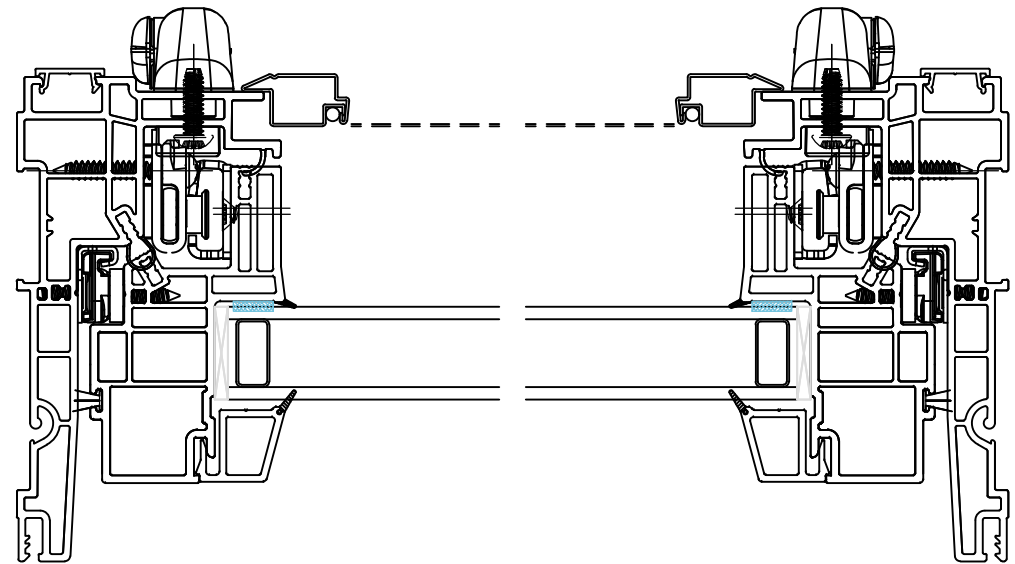
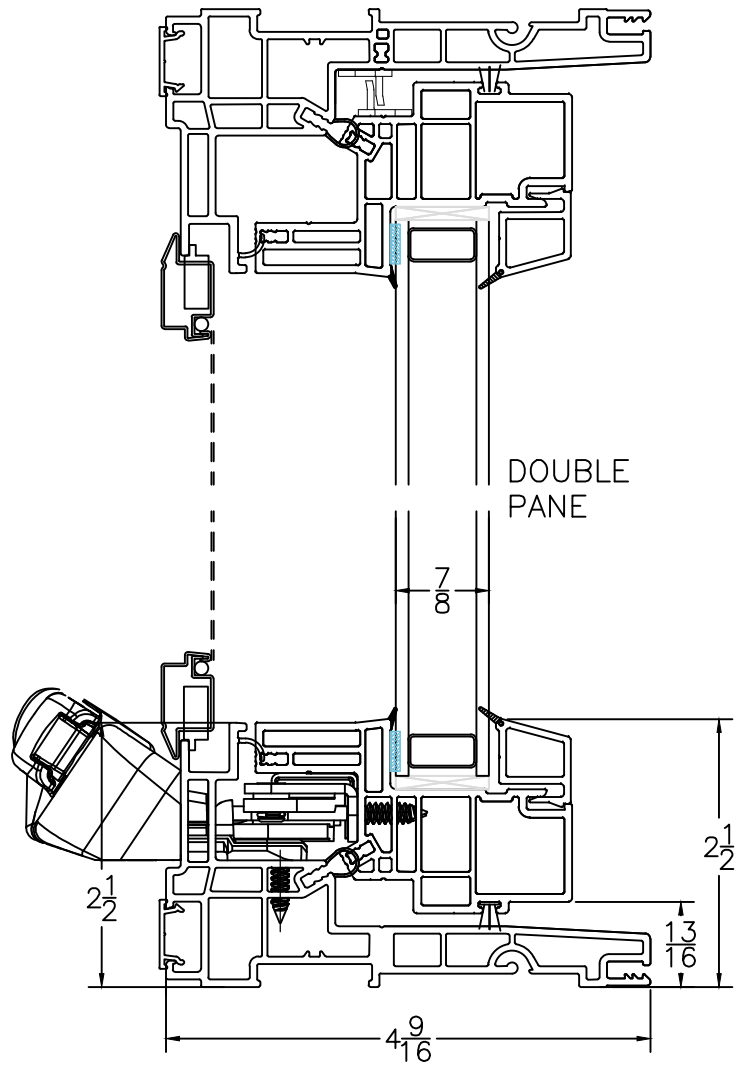
248 BOWES ROAD  
CONCORD, ONTARIO, L4K 1J9  
TEL: (905) 660-5021  
FAX: (905) 660 2419

DRAWN BY:

DATE: 22.6.21

APPROVED BY:

REVISION:



## PRISM AWNING—DOUBLE PANE

### PROJECT ID:



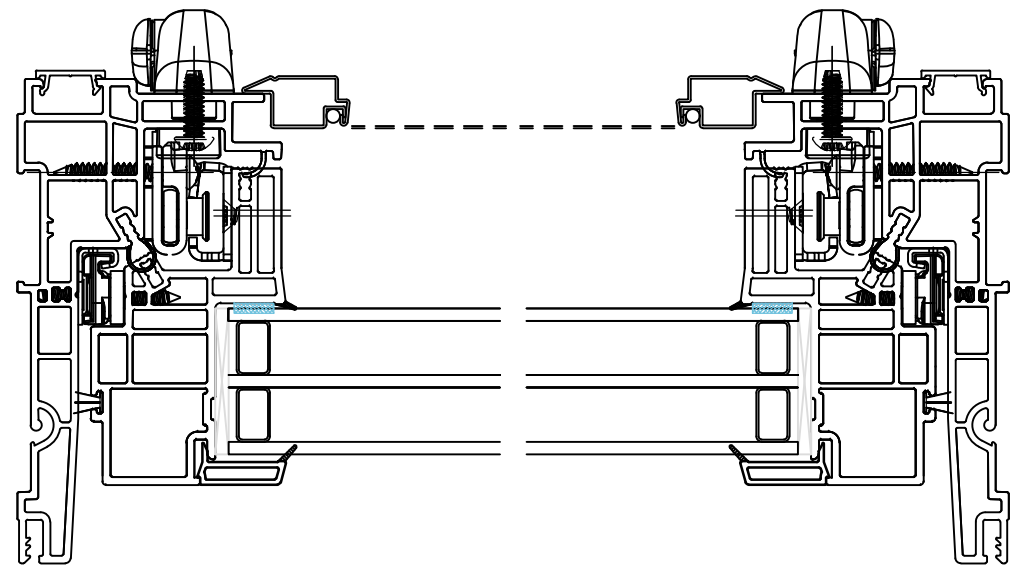
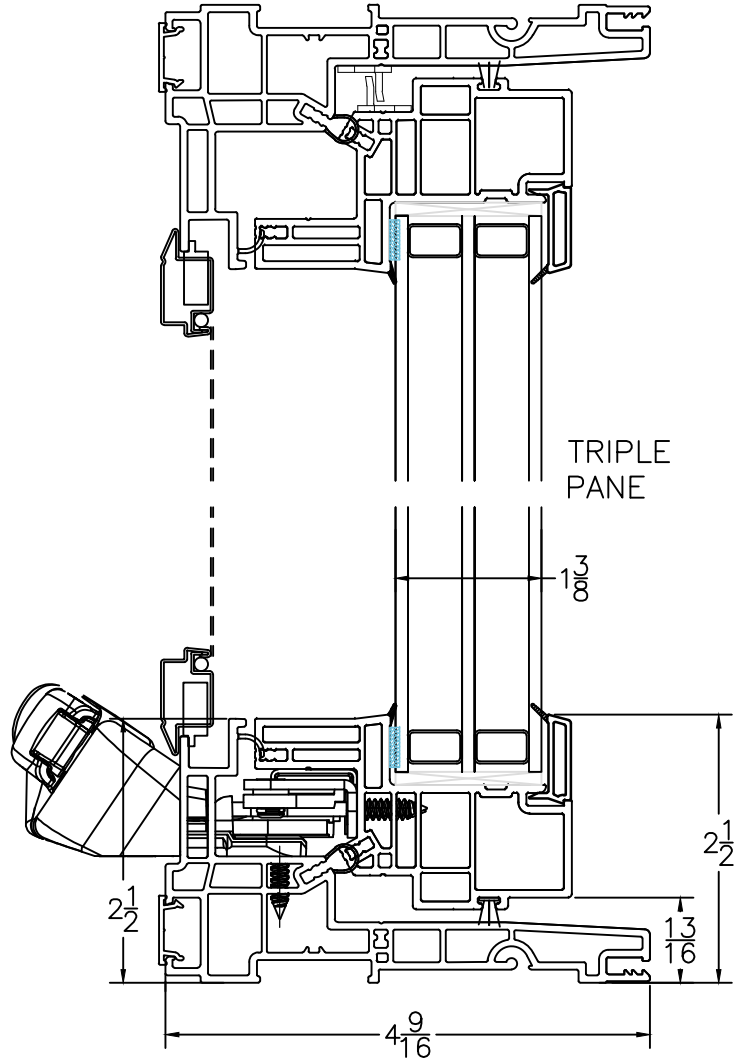
248 BOWES ROAD  
CONCORD, ONTARIO, L4K 1J9  
TEL: (905) 660-5021  
FAX: (905) 660 2419

DRAWN BY:


DATE: 22.6.21

APPROVED BY:

REVISION:



PRISM AWNING-TRIPLE PANE

	<b>PROJECT ID:</b> 248 BOWES ROAD CONCORD, ONTARIO, L4K 1J9 TEL: (905) 660-5021 FAX: (905) 660 2419	
	<b>DRAWN BY:</b>	<b>DATE:</b> 22.6.21
	<b>APPROVED BY:</b>	<b>REVISION:</b>