

# Docking Drawer<sup>®</sup>

SPEC BOOK

Version 5





# Table of Contents

---

Most Popular Blade Series Outlets .....	<b>3</b>
Project Planning .....	<b>4</b>
Outlet Uses .....	<b>5</b>
Outlet Anatomy .....	<b>6</b>
Outlet Dimensions of a Blade Duo .....	<b>7</b>
Outlet Dimensions of a Blade .....	<b>8</b>
Outlet Orientation .....	<b>9</b>
Features .....	<b>10</b>
Specify by Drawer Type .....	<b>11</b>
Overview	
Shallow Drawer	
Tall Drawer	
Narrow Drawer	
Installation Example: Vanity Drawers	
Installation Example: Left Side Channel	
Installation Example: Right Side Channel	
Vertical Drawer	
Installation Example: Pull Out Organizer	
Installation Example: Short Vertical Drawer	
Centered Blade Series Outlets	
Shallow Drawer Type	
Tall Drawer Type	
Vertical Drawer Type	
Minimal Space Behind the Drawer Box Installation Techniques	
Create a Spacer	
Reposition the Back of the Drawer Box	
Use Space Behind the Cabinet	
Project Planning Cards by Room .....	<b>27</b>
Kitchens	
Bathrooms	

Closets	
Offices	
Bedrooms	
Mudrooms	
Specify by Part Number .....	<b>38</b>
Part Numbers - 15 amp	
Outlet Configuration Options - 15 amp	
20 amp Outlets	
15 amp & 20 amp - How to Specify	
Part Numbers - 20 amp	
Outlet Configuration Options - 20 amp	
Additional Options .....	<b>48</b>
Docking Drawer Canisters	
Safety Interlock Outlet	
Deep Cabinet Outlets	
Outlet Dimensions of a Blade Duo Deep Cabinet	
Outlet Dimensions of a Blade Deep Cabinet	
10' Cord Solutions	
Power Up Your Showroom with Showroom Mockups	
Planning Resources & Downloads .....	<b>60</b>
Tear Sheets	
DXF, STEP and Solidworks Files	
Mounting Diagrams	
Electrical Planning Guide	
Locating In-Cabinet Power	
Connecting Blade Series to In-Cabinet Power	
Multiple Blade Series Outlets in a Single Cabinet	
Electrical Certifications	
Installation Resources & Downloads .....	<b>68</b>
Installation Manuals	
Cutout Templates	

# Most Popular 15 amp Blade Series Outlets

[Download Tear Sheets to share project details with your team](#)



**MOST POPULAR**  
for kitchens



## Blade Duo 1514-232W

Most popular for kitchen drawers, bathroom vanities, and bedroom nightstands

15 amp

- 1514-232W
- 1514-232B
- 1514-232S

2 AC, 2 USB-C (PD - 30 Watt)  
& 4 USB-A



## Blade Duo 1514-266W

Ideal for bathroom vanities and those connecting more devices

15 amp

- 1514-266W
- 1514-266B
- 1514-266S

4 AC



## Blade 1514-110W

Ideal for kitchen drawers and bedroom nightstands

15 amp

- 1514-110W
- 1514-110B
- 1514-110S

2 AC & 2 USB-A

**MOST POPULAR**  
for vanities



## Blade 1514-160W

Most popular for bathroom vanities

15 amp

- 1514-160W
- 1514-160B
- 1514-160S

2 AC

# Project Planning for Blade Series Outlets

---

Docking Drawer Blade Series outlets can be installed at any point, whether you are undergoing a complete renovation or simply want to add an in-drawer outlet to an existing drawer. Although the installation process may look a little different depending on your situation. Here are some tips:

## Plan at **any** time

### Beginning of project

It's easiest to start planning before you begin your project as the electrician can rough in electrical where needed.

### Middle of project

It's easy to install in the middle of your project when the countertop is off and the area behind the drawer box is still easily accessible.

### End of project

It's still easy to install at the end of your project when the countertop is on. It will just be a tighter space to work in and you will have to remove the drawer boxes to access the back cabinet or furniture wall.

### How to Get Started

Specifying a Docking Drawer into any type of project is simple. You can specify an outlet in 3 ways:

[By Drawer Type](#)

[By Room](#)

[By Part Number](#)

## Install at **any** place

### At the Factory

The cabinet manufacturer can install at the factory.

### In the Shop

The cabinet maker or electrician can install in the shop.

### On Location

The tradesperson or homeowner can install on location.

### Power Up Your Showroom

Easily display Docking Drawer Blade Series outlets in any showroom in minutes with a [non-functioning mockup outlet kit](#).



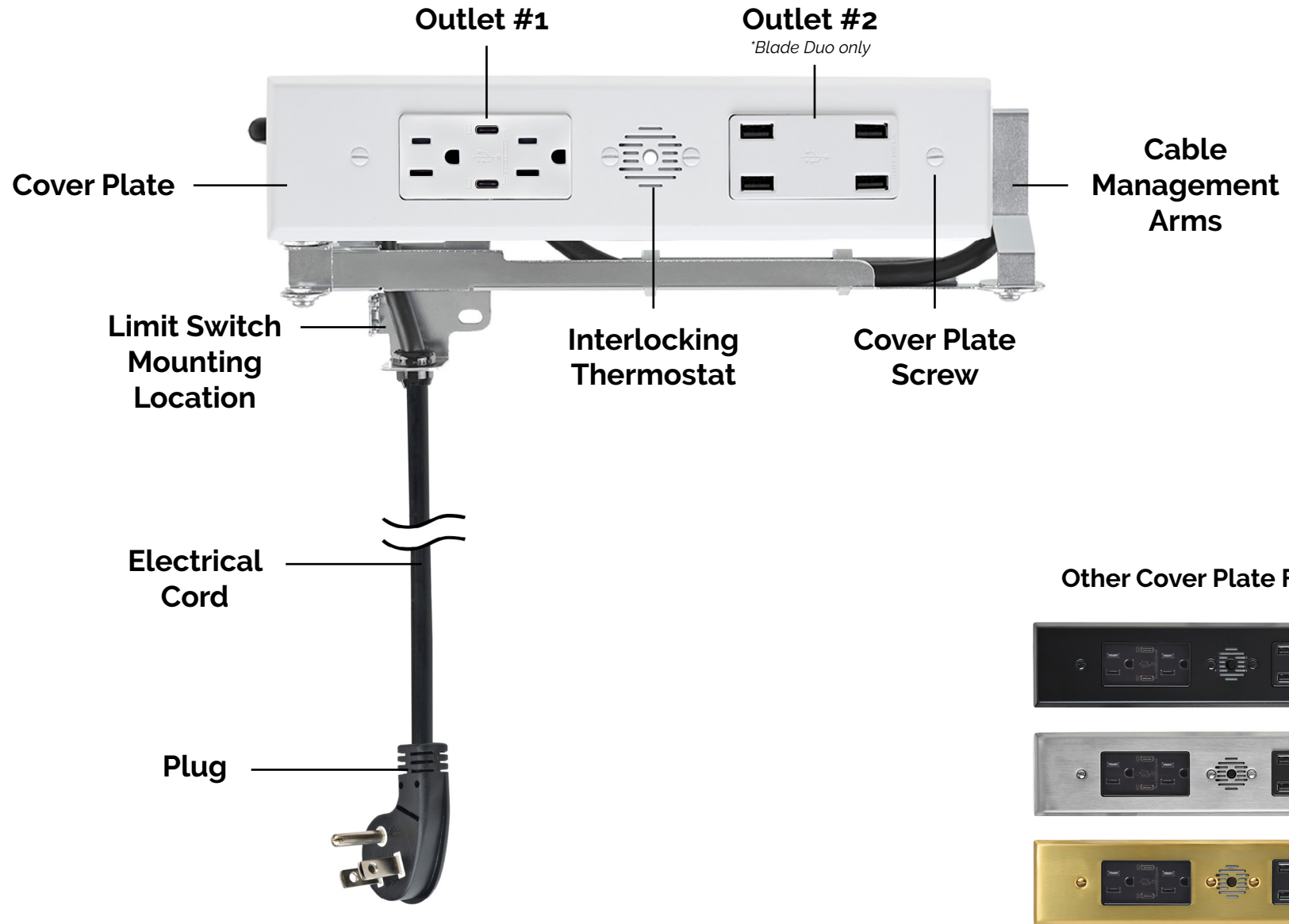
# Outlet Uses Connect Any Device

---



...and more! The possibilities are endless.

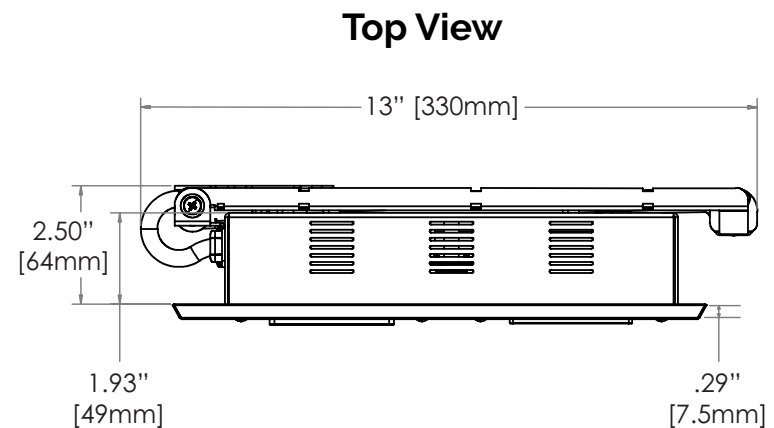
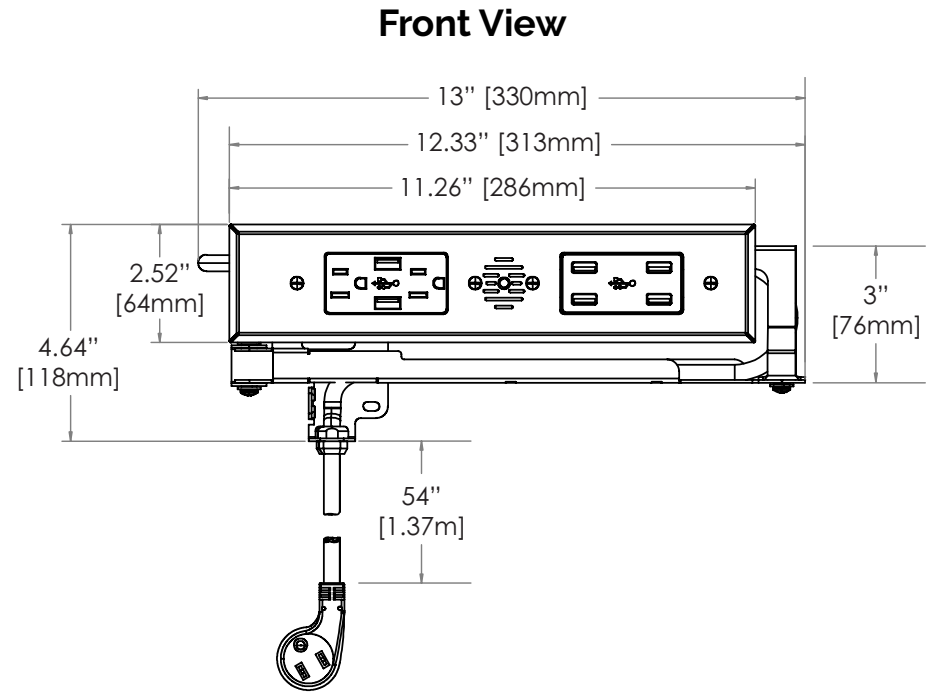
# Outlet Anatomy for Blade Series Outlets





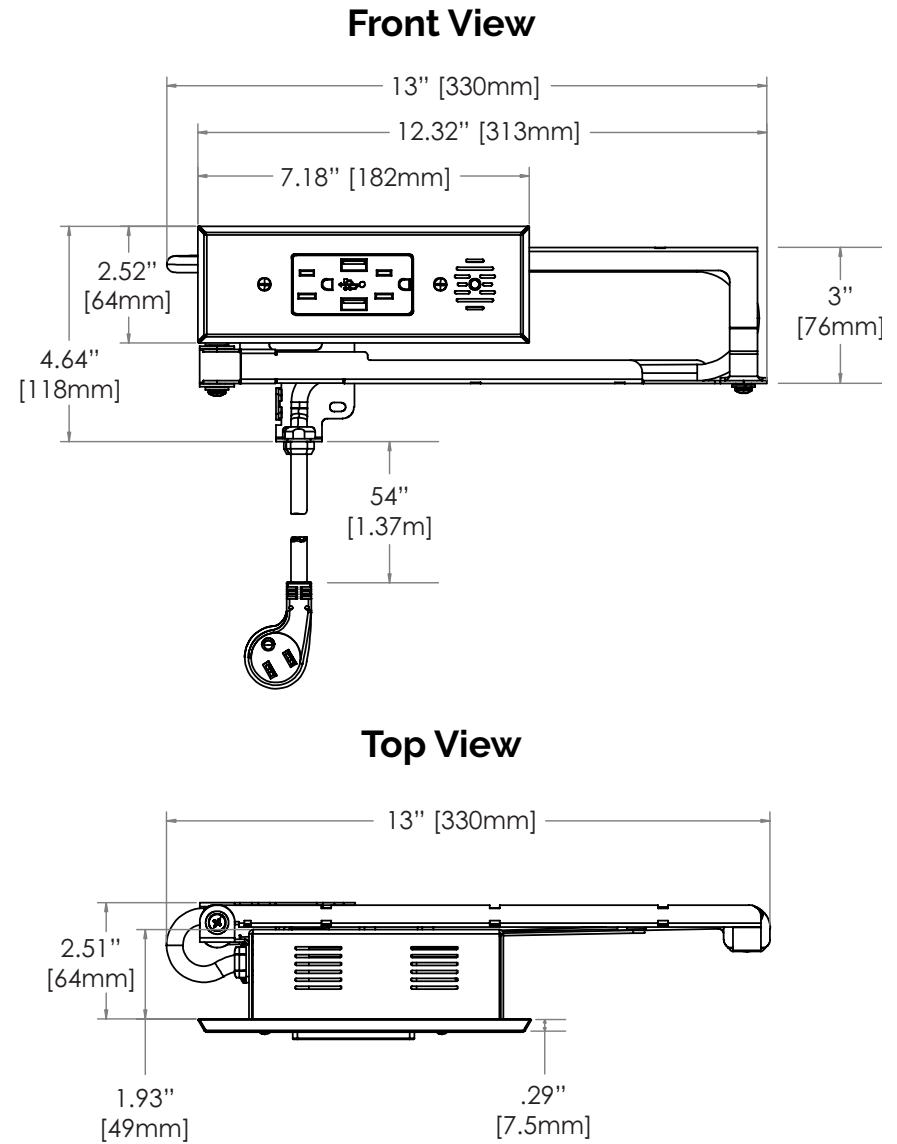
# Outlet Dimensions of a Blade Duo In Drawer Outlet

Outlet Width	13" (330mm)
Outlet Height	4.64" (118mm)
Outlet Depth	2.5" (64mm)
Receptacle Box Depth	1.93" (49mm)
Cover Plate Height	2.52" (64mm)
Cover Plate Width	11.26" (286mm)
Cover Plate Thickness	.29" (7.5mm)
Cable Management Arms Height	3" (76mm)
Cord Length (15 amp)	54" (1.37m) <i>10' cord available</i>
Cord Length (20 amp)	36" (.9m)



# Outlet Dimensions of a Blade In Drawer Outlet

Outlet Width	13" (330mm)
Outlet Height	4.64" (118mm)
Outlet Depth	2.5" (64mm)
Receptacle Box Depth	1.93" (49mm)
Cover Plate Height	2.52" (64mm)
Cover Plate Width	7.18" (182mm)
Cover Plate Thickness	.29" (7.5mm)
Cable Management Arms Height	3" (76mm)
Cord Length (15 amp)	54" (1.37m) <i>10' cord available</i>
Cord Length (20 amp)	36" (.9m)





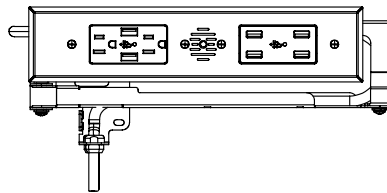
# Outlet Orientation

Docking Drawer Blade Series outlets can be positioned in a variety of orientations to fit any cabinet and every project.

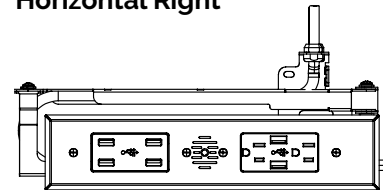
## Horizontal Mounting

Blade and Blade Duo outlets can be mounted horizontally and facing to the left or right.

Horizontal Left



Horizontal Right



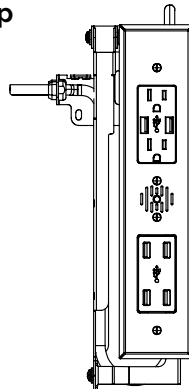
## Pro Tip

Blade Series outlets can be rotated 360 degrees, facing left, right, up or down, referring to the cord exit point.  
Ex: Horizontal left - the receptacle box is horizontal and the cord exits on the left side of the outlet.

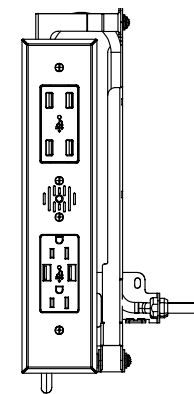
## Vertical Mounting

Blade and Blade Duo outlets can be mounted vertically and facing to up or down.

Vertical Up



Vertical Down



# Features of Blade Series Outlets

Electrical Certification	<u>ETL Listed</u> for use in the US and Canada. Outlets 1514-222 & 1514-120 (are certified for use in Canada). All other Blade Series outlets are ETL Listed for use in Canada when installed with an Interlock Outlet* that de-energizes the outlet when the drawer starts to close <i>*(sold separately)</i>
Interlocking Safety Features	The Interlock Thermostat de-energizes the outlet when the temperature exceeds 120°F (49°C). The Safety Interlock Outlet* uses a limit switch to de-energize the outlet when the drawer starts to close. <i>*(sold separately)</i>
Electrical Connection	4 1/2' cord with a NEMA 5-15P plug (All 15 amp Blade Series outlets)
Wire Gauge	14 AWG wire cable (All 15 amp Blade Series outlets)
Cable Protection	Ultra flexible cable jacket and cable strain reliefs prevent tension and wear
Outlet Features	Featuring a variety of configurations including AC, USB-A and USB-C and can connect between 2-8 devices. All AC outlets are tamper resistant.
Product Testing	Assemblies are cycle tested over 500,000 times to ensure a long life of safe operation
Cover Plate Finishes	White, Black, Stainless Steel, and Brass
Warranty	2 Years
Country of Origin	Made in Mexico
Service	If needed, the outlet can be easily separated from the drawer box for maintenance or service


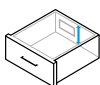
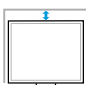
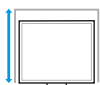
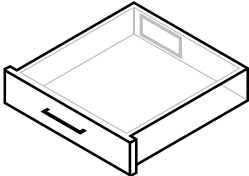

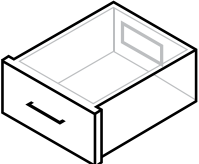
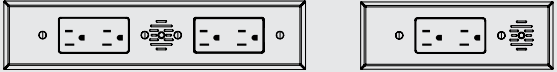
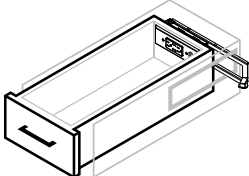
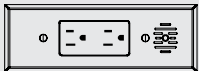
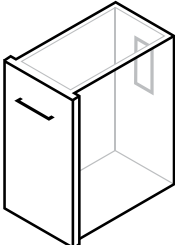



# Specify by Drawer Type

- 12** Overview
- 13** Shallow Drawer
  - Tall Drawer
- 14** Narrow Drawer
  - Installation Example: Vanity Drawer
  - Installation Example: Left Side Channel
  - Installation Example: Right Side Channel
- 18** Vertical Drawer
  - Installation Example: Pull Out Organizers
  - Installation Example: Short Vertical Drawer
- 21** Centered Blade Series Outlets
  - Shallow Drawer Type
  - Tall Drawer Type
  - Vertical Drawer Type
- 24** Minimal Space Behind the Drawer Box Installation Techniques
  - Create a Spacer
  - Reposition the Back of the Drawer Box
  - Use Space Behind the Cabinet



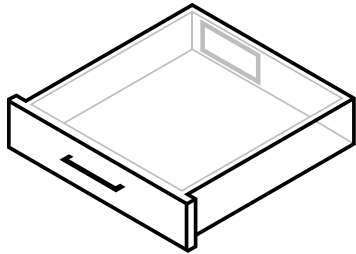
# Specify by Drawer Type

If your drawer type is the following...	 Minimum Drawer Box Width (Outer Dimension)	 Minimum Interior Drawer Box Height	 Minimum Space Behind Drawer Box	 Maximum Base Cabinet Depth	Most popular outlets to specify are...
 <p><b>Shallow Drawer</b>                      Most often found in kitchens, closets, offices, side tables, entryway tables, and retail projects.</p>	<p><b>15"</b> or more</p>	<p><b>3"</b> or more</p>	<p><b>2"</b> or more</p>	<p><b>24"</b> or less</p>	 <p><b>Blade Duo 1514-232</b>      <b>Blade 1514-110</b></p>
 <p><b>Tall Drawer</b>                      Most often found in bathroom vanities and with above-glide mounting.</p>	<p><b>13"</b> or more</p>	<p><b>4"</b> or more</p>	<p><b>2"</b> or more</p>	<p><b>24"</b> or less</p>	 <p><b>Blade Duo 1514-266</b>      <b>Blade 1514-160</b></p>
 <p><b>Narrow Drawer</b>                      Most often found in bathroom vanities and with over-glide mounting. Requires a channel to be cut in the cabinet sidewall.</p>	<p><b>9"</b> or more</p>	<p><b>4"</b> or more</p>	<p><b>2"</b> or more</p>	<p><b>24"</b> or less</p>	 <p><b>Blade 1514-160</b></p>
 <p><b>Vertical Drawer</b>                      Most often found in bathroom vanities and kitchen pull outs.</p>	<p><b>8"</b> or more</p>	<p><b>13"</b> or more</p>	<p><b>2"</b> or more</p>	<p><b>24"</b> or less</p>	 <p><b>Blade 1514-160</b></p> <p><b>Additional Blade Duo and Blade configurations are available</b></p>

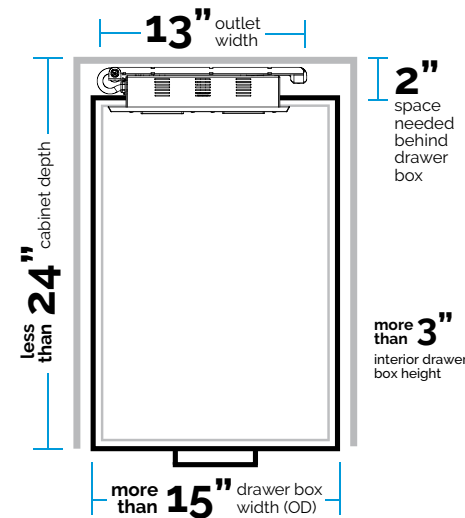


# Shallow & Tall Drawer Types Cabinet Specifications

## Shallow Drawer



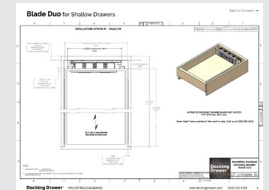
Outlet Width	13"
Minimum Drawer Box Width (Outer Dimension)	15" or more
Minimum Interior Drawer Box Height	3" or more
Minimum Space Behind Drawer Box	2" or more
Maximum Base Cabinet Depth	24" or less



### Pro Tip

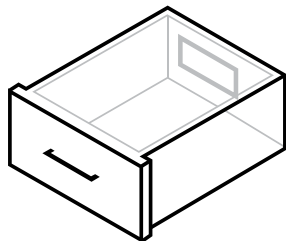
Most often found in kitchens, closets, offices, side tables, entryway tables, and retail projects.

[Download Mounting Diagrams →](#)

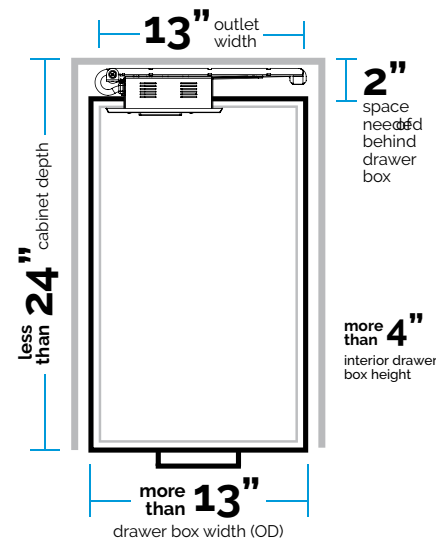


**Most Popular Outlet:**  
15 amp Blade Duo In Drawer Outlet-1514-232

## Tall Drawer



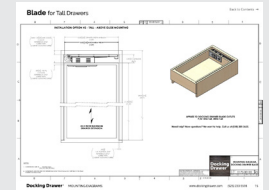
Outlet Width	13"
Minimum Drawer Box Width (Outer Dimension)	13" or more
Minimum Interior Drawer Box Height	4" or more
Minimum Space Behind Drawer Box	2" or more
Maximum Base Cabinet Depth	24" or less



### Pro Tip

Most often found in bathroom vanities when the outlet is mounted above the drawer glides.

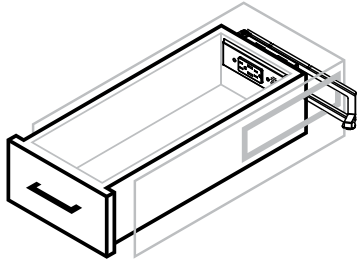
[Download Mounting Diagrams →](#)



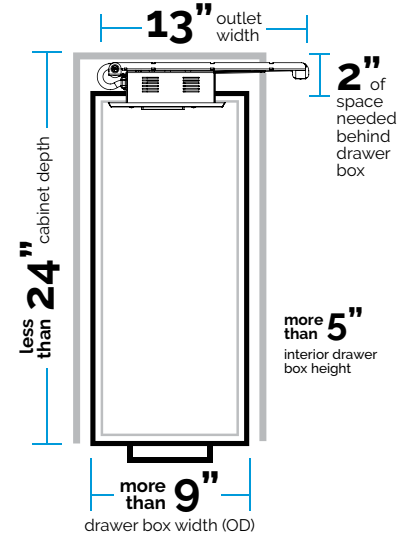
**Most Popular Outlets:**  
15 amp Blade Duo In Drawer Outlet-1514-266  
15 amp Blade In Drawer Outlet-1514-160

# Narrow Drawer Type Cabinet Specifications

## Narrow Drawer Right Side Channel



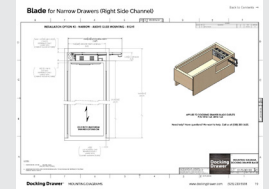
Outlet Width	13"
Minimum Drawer Box Width (Outer Dimension)	9" or more
Minimum Interior Drawer Box Height	5" or more
Minimum Space Behind Drawer Box	2" or more
Maximum Base Cabinet Depth	24" or less



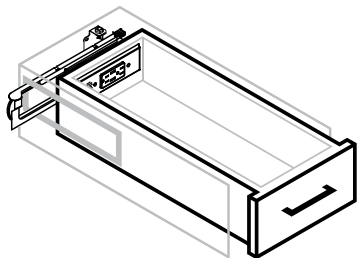
### Pro Tip

Most often found in bathroom vanities and mounted over glides. Requires a channel to be cut in the cabinet sidewall.

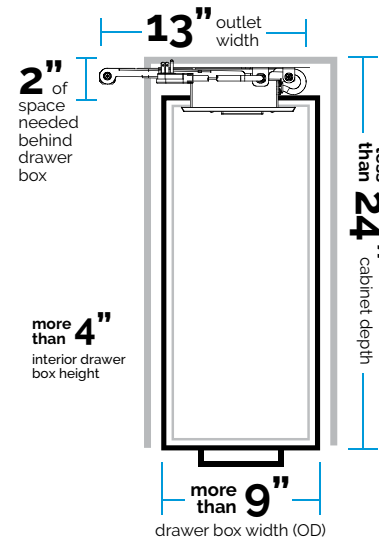
### Download Mounting Diagrams →



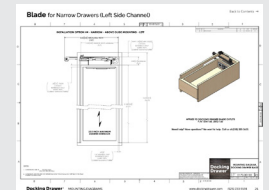
## Narrow Drawer Left Side Channel



Outlet Width	13"
Minimum Drawer Box Width (Outer Dimension)	9" or more
Minimum Interior Drawer Box Height	4" or more
Minimum Space Behind Drawer Box	2" or more
Maximum Base Cabinet Depth	24" or less

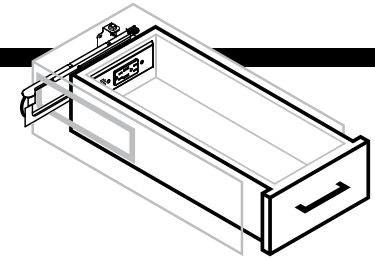


### Download Mounting Diagrams →



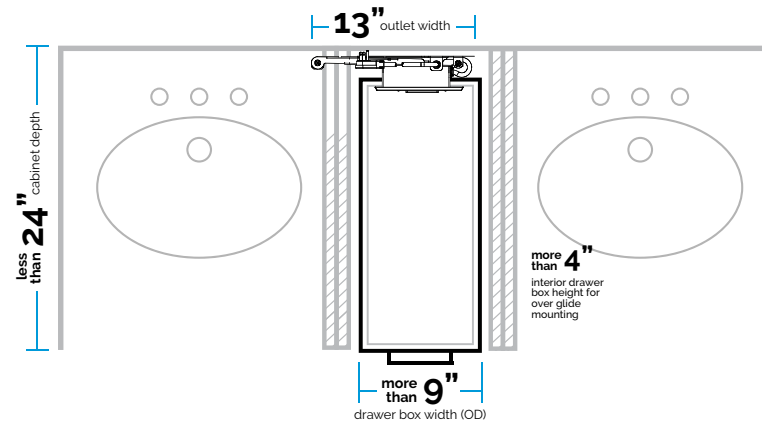
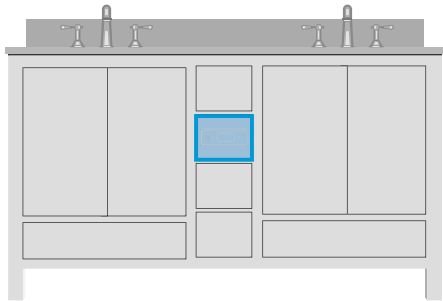
Most Popular Outlet:  
15 amp Blade In Drawer  
Outlet-1514-160

# Narrow Drawer Type Installation Example: Vanity Drawer



Docking Drawer Blade Series outlets can be specified into vanity drawers as narrow as 9" by creating a channel in the cabinet sidewall to allow space for the cable management arms to move freely.

## Double Sink Vanity

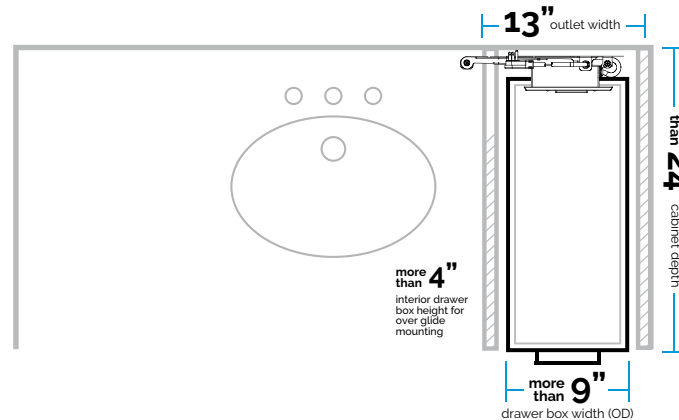
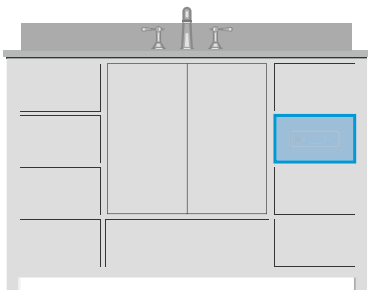


### Pro Tip

Make sure the narrow drawer is tall enough to hold hot tools.

Studies show the top drawer is used for everyday items like a toothbrush, comb, etc. while the second drawer is the most popular drawer for hot tools, such as hair dryers and curling irons.

## Single Sink Vanity

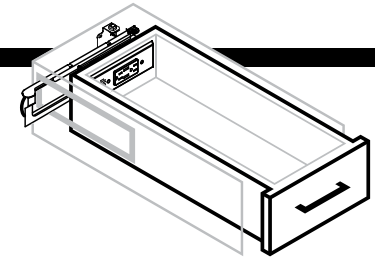


### Need GFCI?

Plug a Blade Series outlet into a GFCI wall receptacle and pass on the GFCI properties to the in-drawer outlet.

**Most Popular Outlet:**  
15 amp Blade In Drawer  
Outlet-1514-160

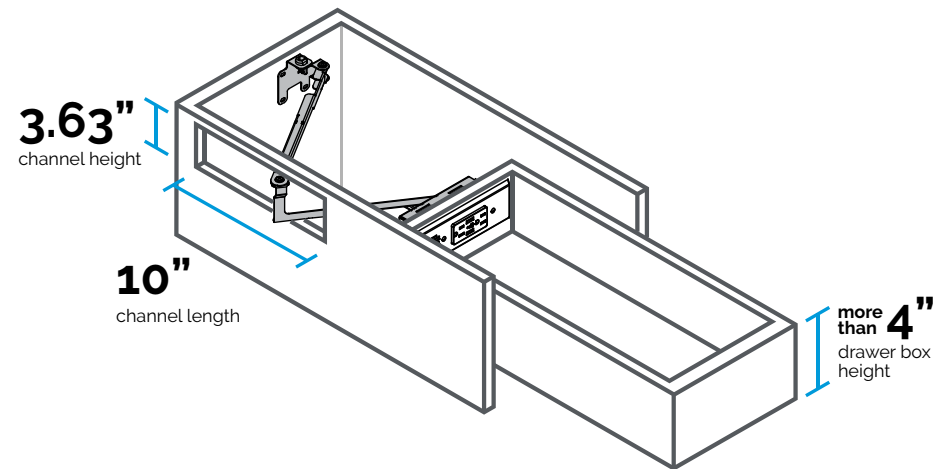
# Narrow Drawer Type Installation Examples: Left Side Channel



Docking Drawer Blade Series outlets can be left mounted into vanity drawers as narrow as 9" by flipping the outlet and creating a channel in the left cabinet sidewall to allow space for the cable management arms to move freely.

## Left Side Channel

The outlet may be flipped so that the channel is on the left side of the cabinet wall.



## Pro Tip

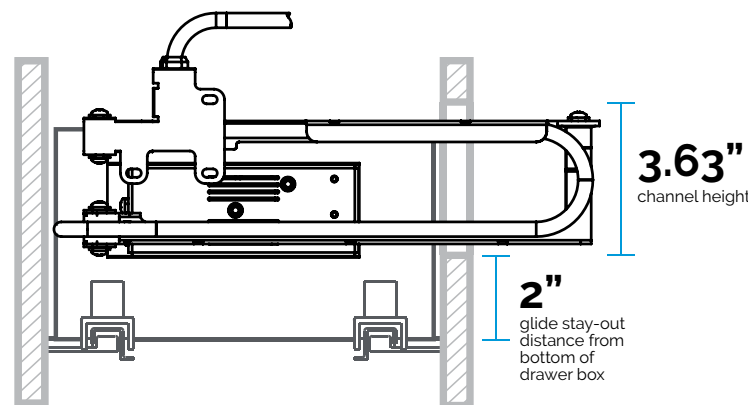
Make sure the outlet is mounted high enough in the drawer box to ensure the cable management arms clear the drawer glides.

If the drawer is over 9" wide, the channel length can be less than 10" in length.

Docking Drawer Blade is ideal for Narrow Drawer installations. The Blade cover plate is 7.18" wide and it fits into a 9" wide (OD) drawer box. Docking Drawer Blade Duo cover plate is 11.26" wide and fits best into 13" wide tall drawer boxes or 15" wide shallow drawer boxes.

## Rear View

Ensure the cable management guides are mounted high enough to clear the drawer glides.

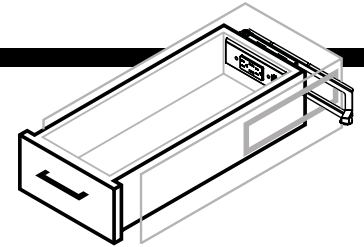


**Most Popular Outlet:**  
15 amp Blade In Drawer  
Outlet-1514-160



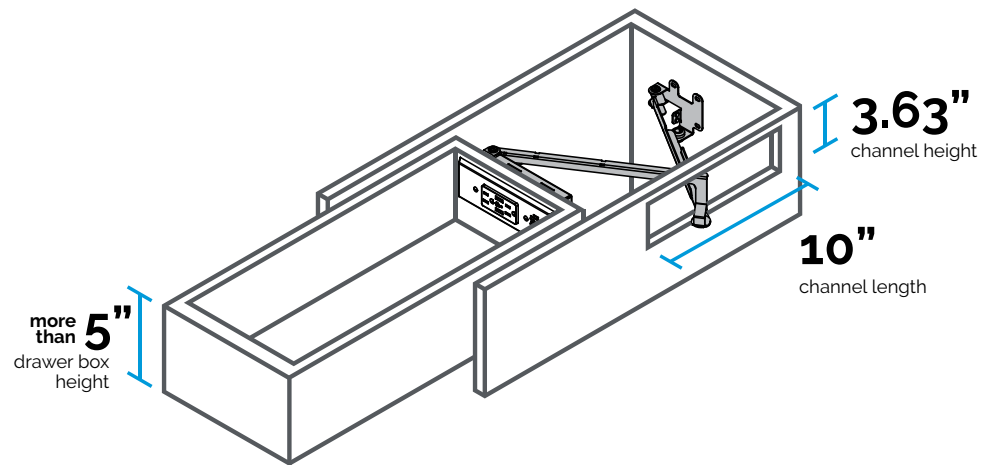
# Narrow Drawer Type Installation Example: Right Side Channel

Docking Drawer Blade Series outlets can be right mounted into vanity drawers as narrow as 9" by creating a channel on the right cabinet sidewall to allow space for the cable management arms to move freely.



## Right Side Channel

The channel dimensions for the cable management arms vary depending on your cabinet layout. In this example, the channel space needed is 3.63" x 10".



## Pro Tip

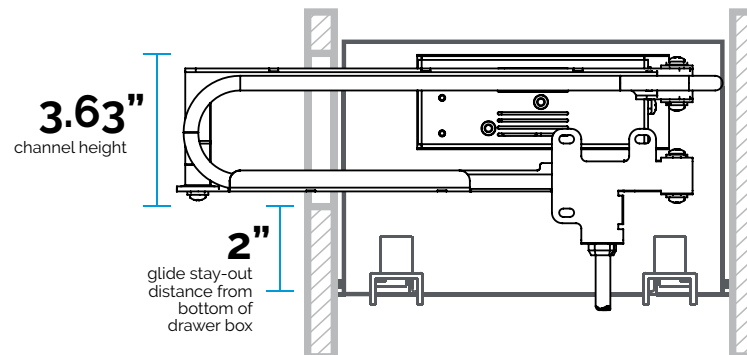
Make sure the outlet is mounted high enough in the drawer box to ensure the cable management arms clear the drawer glides.

If the drawer is over 9" wide, the channel length can be less than 10" in length.

Docking Drawer Blade outlets are ideal for Narrow Drawer installations. The Blade cover plate is 7.18" wide and it fits into a 9" wide (OD) drawer box. Docking Drawer Blade Duo cover plate is 11.26" wide and fits best into 13" wide tall drawer boxes or 15" wide shallow drawer boxes.

## Rear View

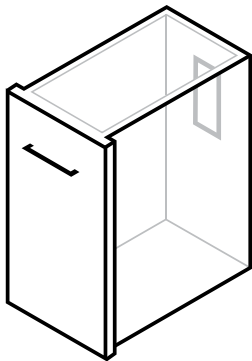
Ensure the cable management guides are mounted high enough to clear the drawer glides.



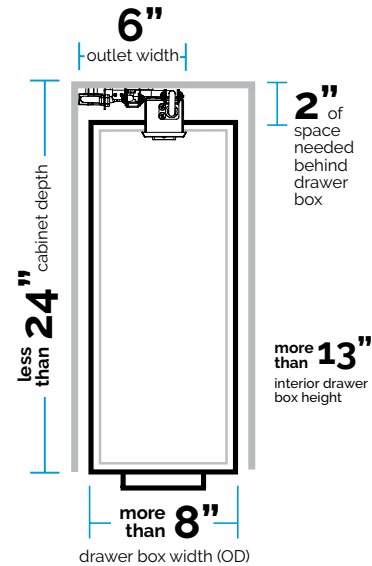
**Most Popular Outlet:**  
**15 amp Blade In Drawer Outlet-1514-160**

# Vertical Drawer Type Cabinet Specifications

## Vertical Drawers



Outlet Width	6"
Minimum Drawer Box Width (Outer Dimension)	8" or more
Minimum Interior Drawer Box Height	13" or more
Minimum Space Behind Drawer Box	2" or more
Maximum Base Cabinet Depth	24" or less

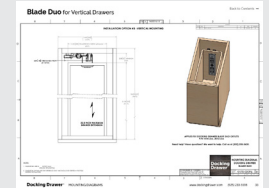


### Pro Tip

Most often found in bathroom vanities and kitchen pull outs.

If the vertical drawer is less than 13" tall, a channel can be cut into the bottom of the cabinet to utilize the toe kick space. Refer to [page 19](#) for additional details.

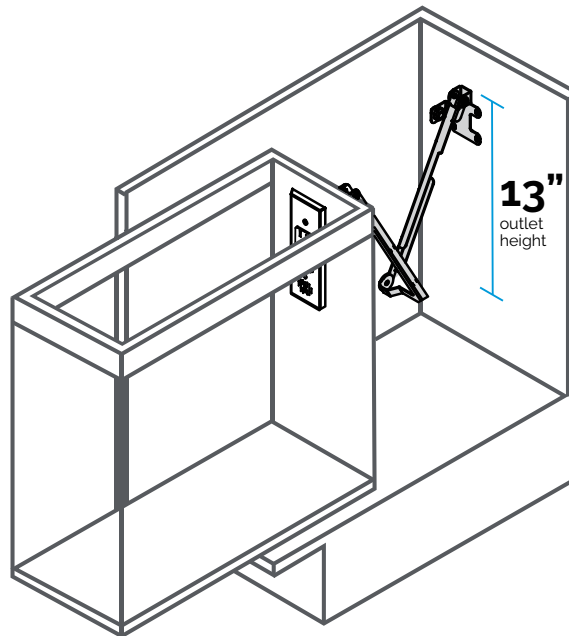
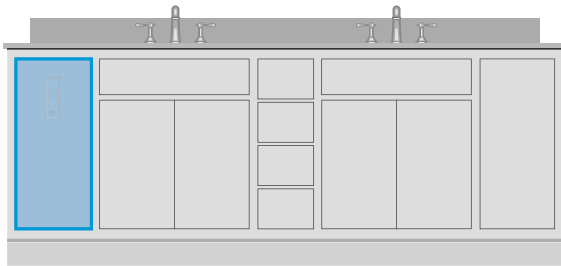
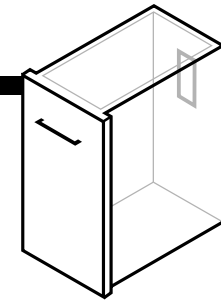
[Download Mounting Diagrams](#) →



**Most Popular Outlet:**  
15 amp Blade In Drawer  
Outlet-1514-160

# Vertical Drawer Type Installation Example: Pull Out Organizer

Docking Drawer Blade Series outlets can be specified into tall vanity pull out organizers to create a dedicated space to stow and power hair dryers and other accessories while keeping vanity countertops clear of cord and device clutter.



## Pro Tip

The ideal location for in-cabinet power supply is the lower left or right corner of the cabinet. This ensures that the cord does not interfere with the in-drawer outlet or the slides.

Docking Drawer Canisters are perfect for creating functional spaces while safely storing hot tools. [Shop Now](#)

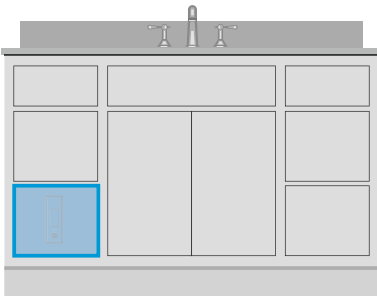
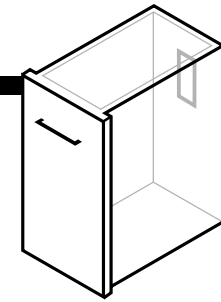
Using a Rev-A-Shelf Grooming Organizer [like this?](#) Refer to our How To Guide [here](#).

Need mounting diagrams? Download resources at [dockingdrawer.com/downloads](http://dockingdrawer.com/downloads)

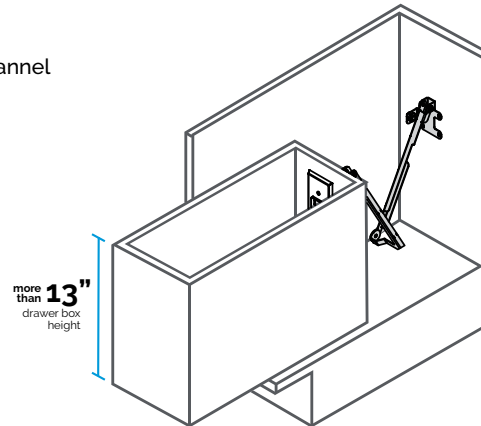
**Most Popular Outlet:**  
**15 amp Blade In Drawer Outlet-1514-160**

# Vertical Drawer Type Installation Example: Short Vertical Drawer

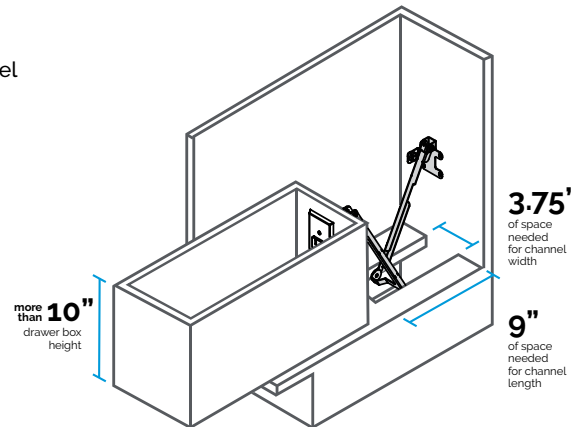
Docking Drawer Blade Series outlets can be specified into bathroom drawers as short as 10" by creating a channel on the bottom of the cabinet to allow space for the cable management arms.



**Option 1**  
without channel



**Option 2**  
with channel



## Pro Tip

The ideal location for in-cabinet power supply is the lower left or right corner of the cabinet. This ensures that the cord does not interfere with the in-drawer outlet or the slides.

To install the in-drawer outlet into a shallow vertical drawer, utilize the empty space in the toe kick as seen in Option 2 to make room for the cable management arms to function.

## Download Mounting Diagrams →



**Most Popular Outlet:**  
15 amp Blade In Drawer  
Outlet-1514-160

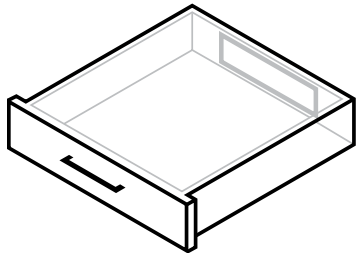


# Shallow Drawer Type Installation Example: Centered Blade Series Outlets

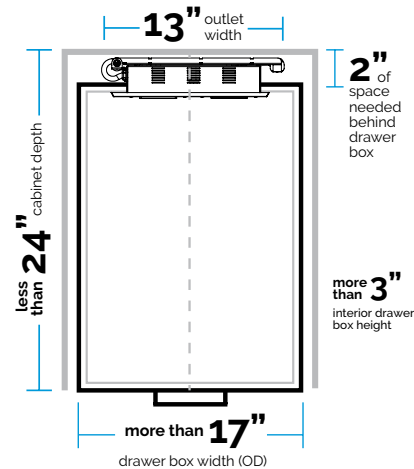
Docking Drawer Blade Series outlets can be installed so that the cover plate is centered in the drawer box. This requires the following minimum drawer box widths.

## Shallow Drawer

### Blade Duo



Outlet Width	<b>13"</b>
Minimum Drawer Box Width (Outer Dimension)	<b>17"</b> or more
Minimum Interior Drawer Box Height	<b>3"</b> or more
Minimum Space Behind Drawer Box	<b>2"</b> or more
Maximum Base Cabinet Depth	<b>24"</b> or less

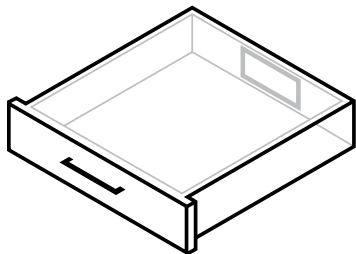


## Pro Tip

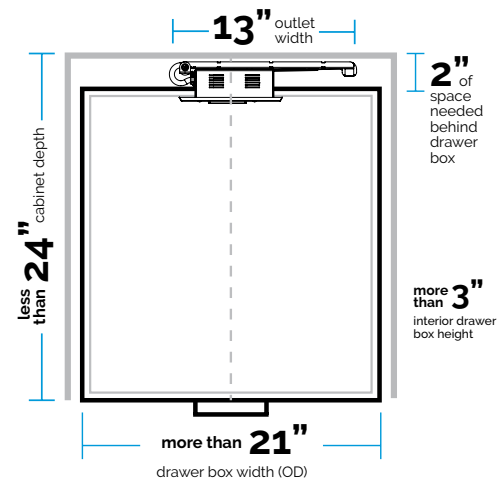
For more installation examples, visit [dockingdrawer.com/project-cards](http://dockingdrawer.com/project-cards)

## Shallow Drawer

### Blade



Outlet Width	<b>13"</b>
Minimum Drawer Box Width (Outer Dimension)	<b>21"</b> or more
Minimum Interior Drawer Box Height	<b>3"</b> or more
Minimum Space Behind Drawer Box	<b>2"</b> or more
Maximum Base Cabinet Depth	<b>24"</b> or less

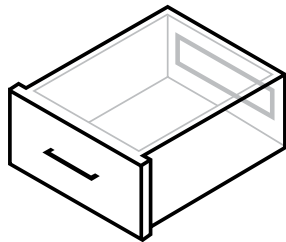


# Tall Drawer Type Installation Example: Centered Blade Series Outlets

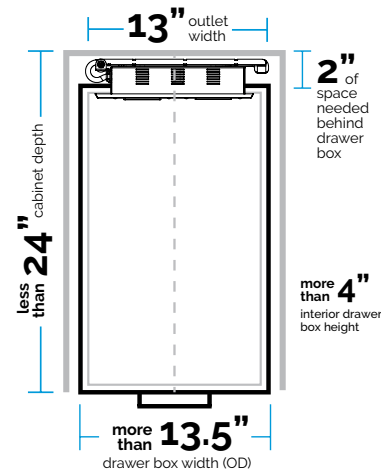
Docking Drawer Blade Series outlets can be installed so that the cover plate is centered in the drawer box. This requires the following minimum drawer box widths.

## Tall Drawer

### Blade Duo



Outlet Width	<b>13"</b>
Minimum Drawer Box Width (Outer Dimension)	<b>13.5"</b> or more
Minimum Interior Drawer Box Height	<b>4"</b> or more
Minimum Space Behind Drawer Box	<b>2"</b> or more
Maximum Base Cabinet Depth	<b>24"</b> or less

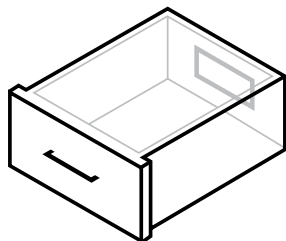


## Pro Tip

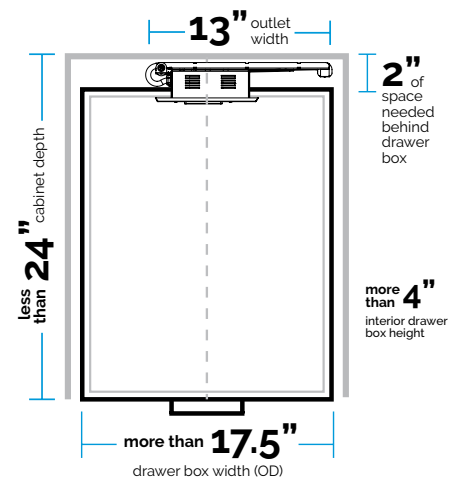
For more installation examples, visit [dockingdrawer.com/project-cards](http://dockingdrawer.com/project-cards)

## Tall Drawer

### Blade



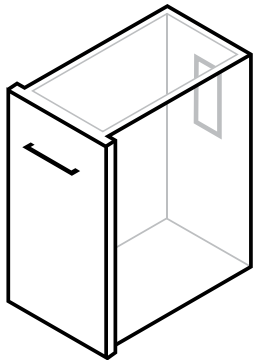
Outlet Width	<b>13"</b>
Minimum Drawer Box Width (Outer Dimension)	<b>17.5"</b> or more
Minimum Interior Drawer Box Height	<b>4"</b> or more
Minimum Space Behind Drawer Box	<b>2"</b> or more
Maximum Base Cabinet Depth	<b>24"</b> or less



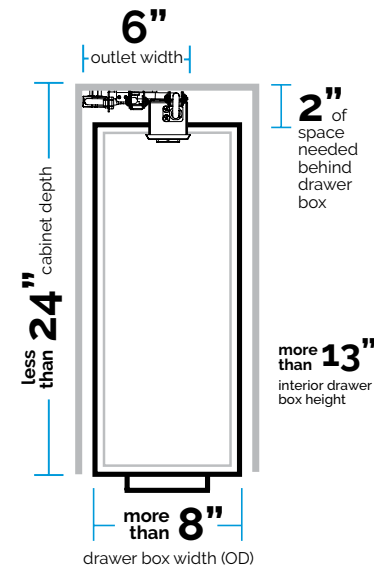
# Vertical Drawer Type Installation Example: Centered Blade Series Outlets

Docking Drawer Blade Series outlets can be installed so that the cover plate is centered in the drawer box. This requires the following minimum drawer box widths.

## Vertical Drawer Blade Duo & Blade



Outlet Width	6"
Minimum Drawer Box Width (Outer Dimension)	8" or more
Minimum Interior Drawer Box Height	13" or more
Minimum Space Behind Drawer Box	2" or more
Maximum Base Cabinet Depth	24" or less



### Pro Tip

For more installation examples, visit [dockingdrawer.com/project-cards](https://dockingdrawer.com/project-cards)

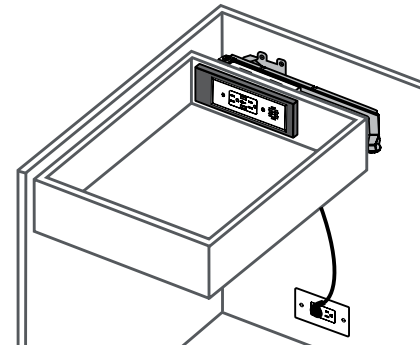
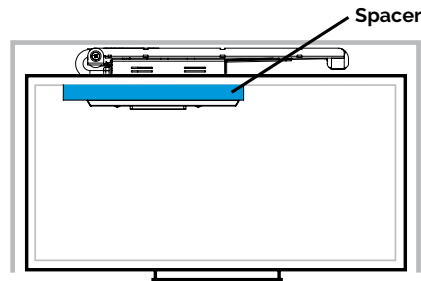
# Minimal Space Behind the Drawer Box Installation Technique 1

## Create a Spacer (1.25" to 2" Behind the Drawer Box)

You can create a spacer to move the Docking Drawer Blade series outlet further into the drawer box. Spacers can range in length and depth to create a wide range of installation options.

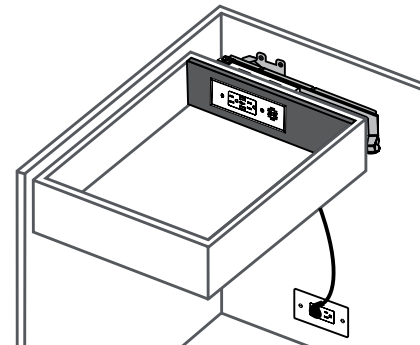
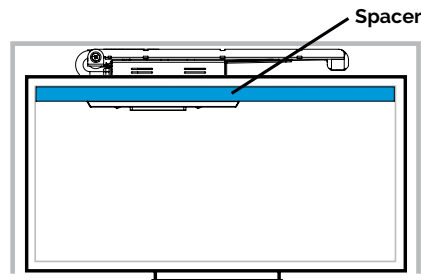
### Spacer Installation Technique

Minimal width spacer



### Spacer Installation Technique

Full width spacer



### Pro Tip

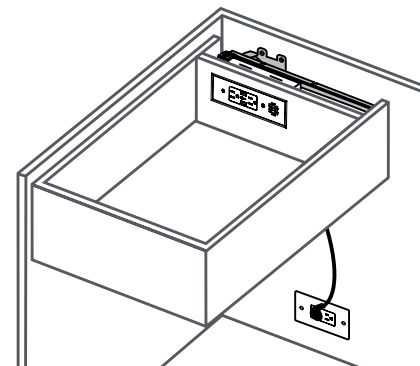
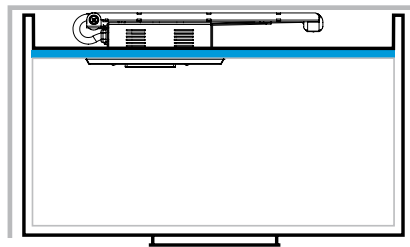
For more installation examples, see our [mounting diagrams](#).

# Minimal Space Behind the Drawer Box Installation Technique 2

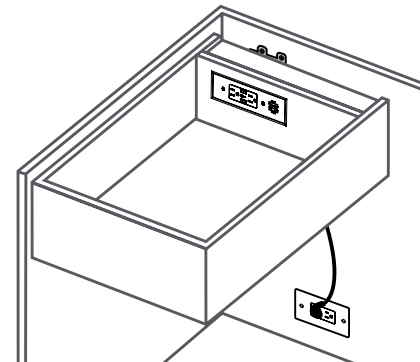
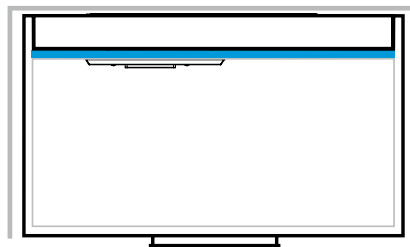
## Reposition the back of the drawer box (0" - 2" Behind the Drawer Box)

A new drawer back can be added to move the Docking Drawer Blade series outlet further into the drawer box. For a neater look, cover from the new drawer back panel to the rear of the drawer box so you will not see the mechanical parts of the in-drawer outlet behind the back panel.

**Repositioned  
Drawer Box  
Installation  
Technique**  
Without cover



**Repositioned  
Drawer Box  
Installation  
Technique**  
With cover



### Pro Tip

Read more about [shortening the drawer box](#).



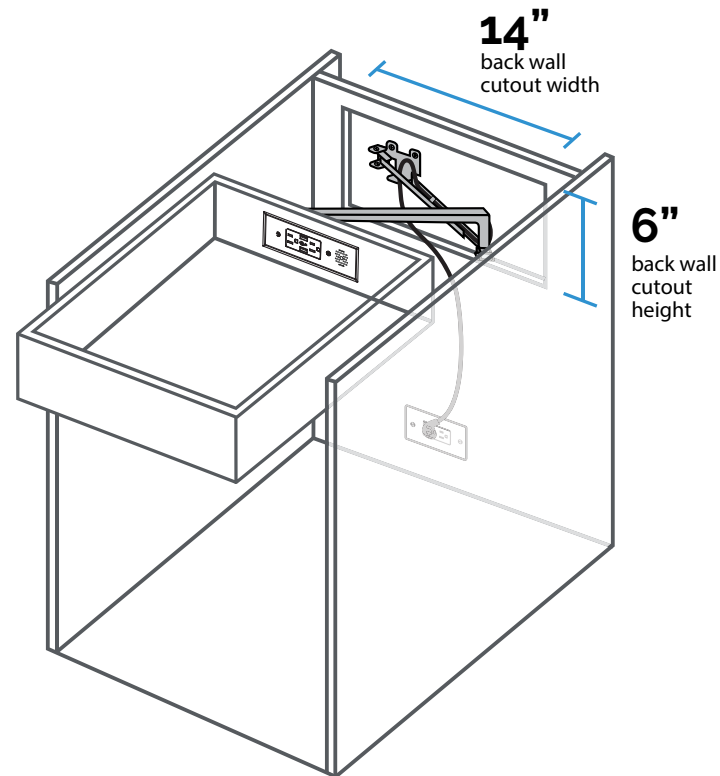
# Minimal Space Behind the Drawer Box Installation Technique 3

Use space behind the cabinet (0" - 2" Behind the Drawer Box)

The back panel of the cabinet can be removed to utilize the extra space. If there is a filler gap between the back wall of your cabinets and the drywall, add a cutout to utilize that space and mount the Docking Drawer bracket directly to the drywall.

## Drywall Installation Technique

Using #8 Drywall Anchors



### Pro Tip

Closet cabinetry doesn't have a back, Docking Drawer outlets can be mounted to the wall.

Read more about [shortening the drawer box.](#)

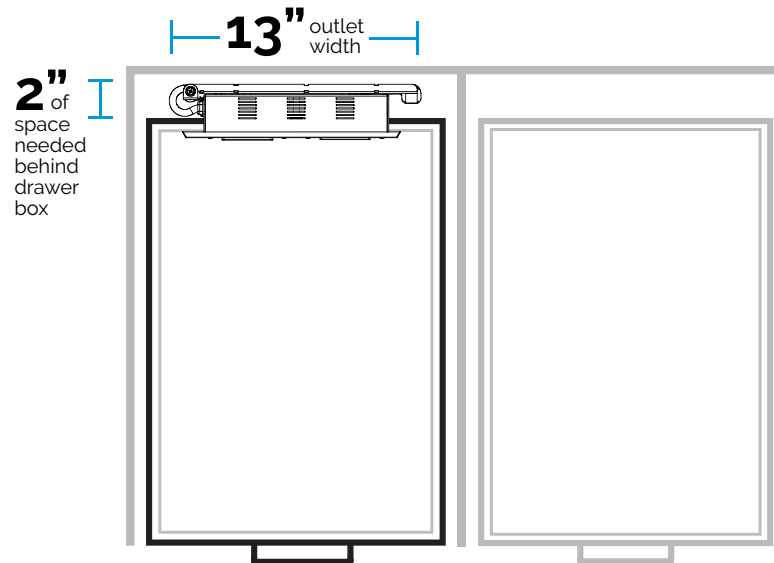
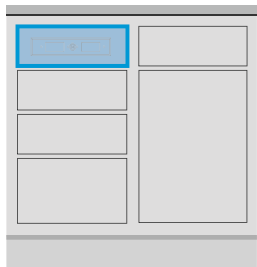
# Project Planning Cards by Room

- 28 Kitchens
- 32 Bathrooms
- 34 Closets
- 35 Offices
- 36 Bedrooms
- 37 Mudrooms

For more room applications, visit  
[dockingdrawer.com/project-cards](https://dockingdrawer.com/project-cards)

# Kitchens Shallow Drawer Project Planning Card

Docking Drawer Blade Series outlets can be specified into the top, often shallow kitchen cabinet drawer to create a dedicated drawer charging station and keep tech devices and cord clutter off of kitchen countertops.



## Pro Tip

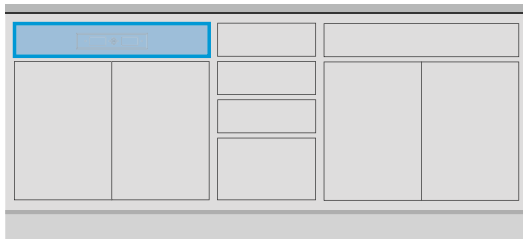
A Docking Drawer Blade Duo outlets can be center mounted in a 15" (OD) wide drawer box and a Docking Drawer Blade outlets can be center mounted in a 20" (OD) wide drawer box.

For more room applications, visit [dockingdrawer.com/project-cards](http://dockingdrawer.com/project-cards)

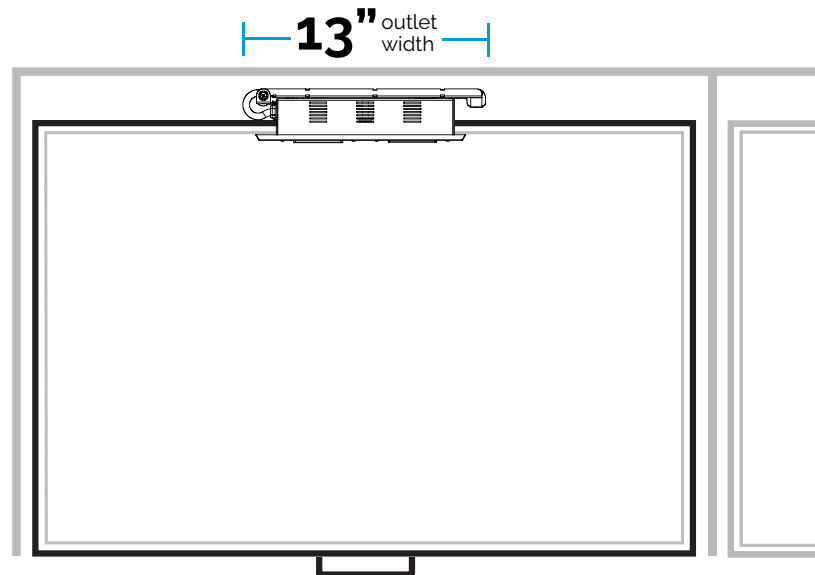
**Most Popular Outlet:**  
**15 amp Blade Duo In**  
**Drawer Outlet-1514-232**

# Kitchens Island Drawer Project Planning Card

Docking Drawer Blade Series outlets can be specified into wide kitchen island drawers to create a dedicated drawer charging station and keep tech devices and cord clutter off of kitchen island surfaces.



2" of space needed behind drawer box



## Pro Tip

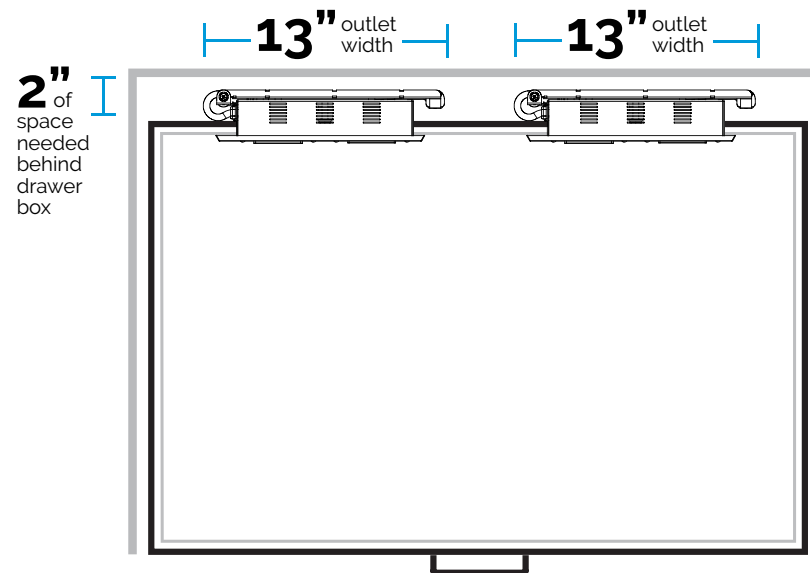
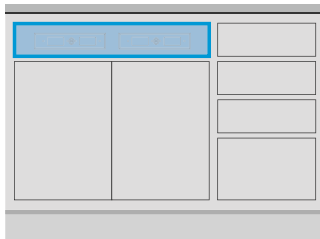
Large kitchen islands maximize storage by utilizing 24 - 27" deep drawer boxes. To add a Blade Series outlet into this type of drawer, see [Docking Drawer Blade Series Deep Cabinet outlets](#).

For more room applications, visit [dockingdrawer.com/project-cards](http://dockingdrawer.com/project-cards)

**Most Popular Outlet:**  
**15 amp Blade Duo In Drawer Outlet-1514-232**

# Kitchens Multi-Outlet Drawer Project Planning Card

More than one Docking Drawer Blade Series outlet can be specified into wide kitchen drawers to create a dedicated drawer charging station and keep tech devices and cord clutter off of kitchen surfaces.



## Pro Tip

In order for the drawer to open and close smoothly, you must ensure that the cable management arms for both outlets are properly aligned.

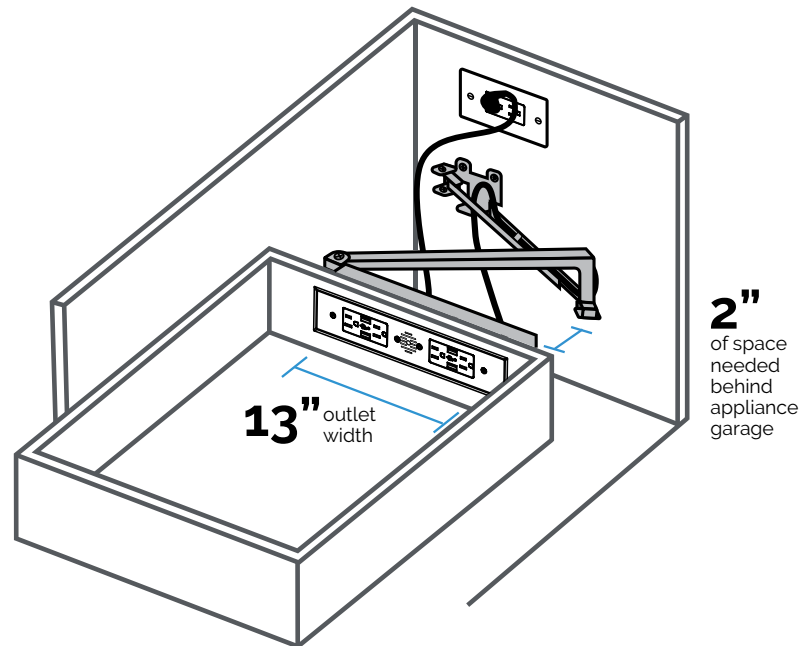
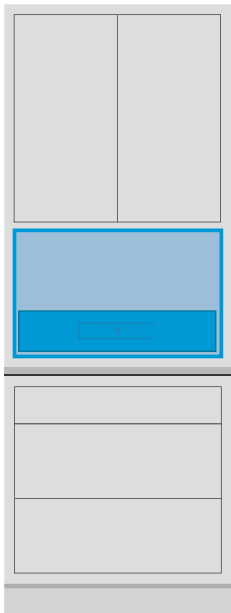
For more room applications, visit [dockingdrawer.com/project-cards](https://dockingdrawer.com/project-cards)

**Most Popular Outlet:**  
15 amp Blade Duo In  
Drawer Outlet-1514-232



# Kitchens Appliance Garage Project Planning Card

Docking Drawer Blade Series outlets can be specified into kitchen cabinet pull outs to create an appliance garage, commonly used to stow and power small kitchen appliances.



## Pro Tip

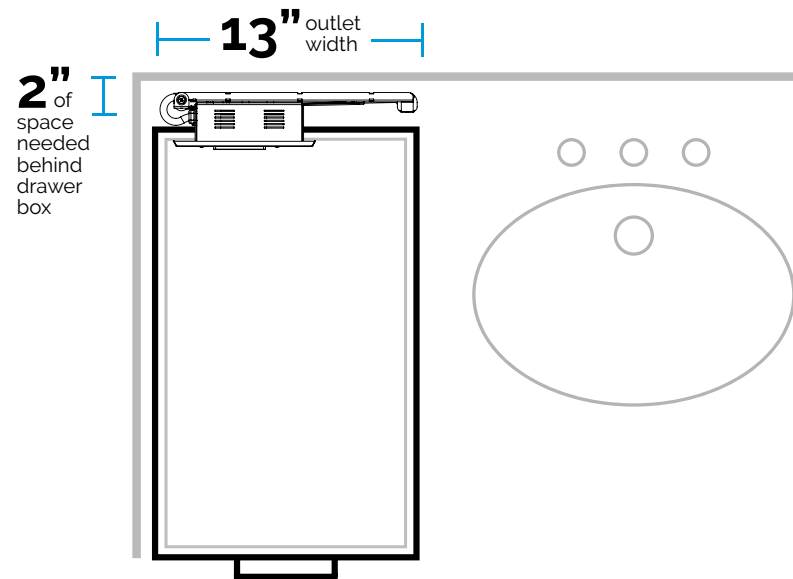
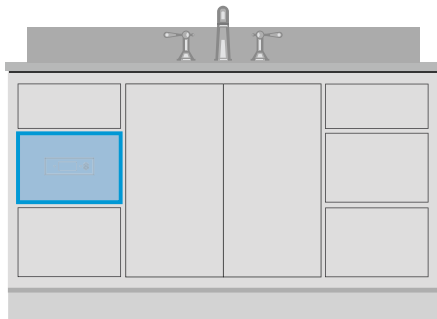
All Docking Drawer Blade Series outlets can be configured with a Safety Interlock Box (available from Docking Drawer and sold separately) which de-energizes the outlet when the drawer starts to close. The Safety Interlock Box is commonly used in Canada and in appliance garage applications.

For more room applications, visit [dockingdrawer.com/project-cards](http://dockingdrawer.com/project-cards)

**Most Popular Outlet:**  
**15 amp Blade Duo In  
Drawer Outlet-1514-266**

# Bathrooms Tall Vanity Drawer Project Planning Card

Docking Drawer Blade Series outlets can be specified into tall vanity drawers to stow and power hair dryers and other styling tools while keeping vanity surfaces clear of cord and device clutter.



## Pro Tip

Studies show that the top drawer in a vanity is used to store items that are used every day such as toothbrushes, tooth paste, cotton swabs, dental floss, brushes and combs.

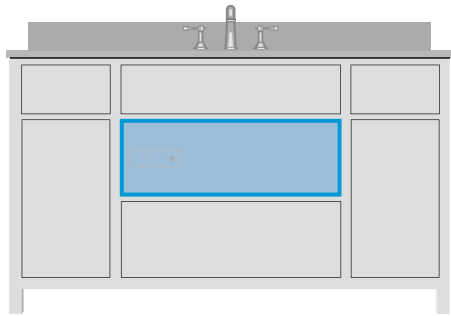
The second drawer in a vanity is used to store items such as hair dryers, curling irons, hair products, etc. that are only used occasionally. This is the most popular location for in-drawer outlets.

For more installation examples, visit [dockingdrawer.com/project-cards](http://dockingdrawer.com/project-cards)

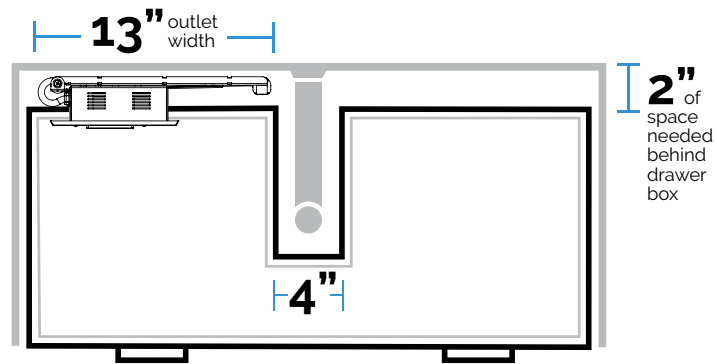
**Most Popular Outlet:  
15 amp Blade In Drawer  
Outlet-1514-160**

# Bathrooms U-Shaped Drawer Project Planning Card

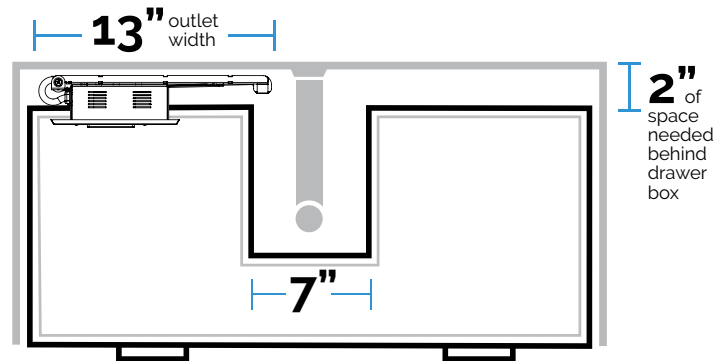
Docking Drawer Blade Series outlets can be specified into U-shaped drawers to help utilize awkward drawer space created by sink plumbing fixtures.



**Option 1**  
without channel



**Option 2**  
with channel



## Pro Tip

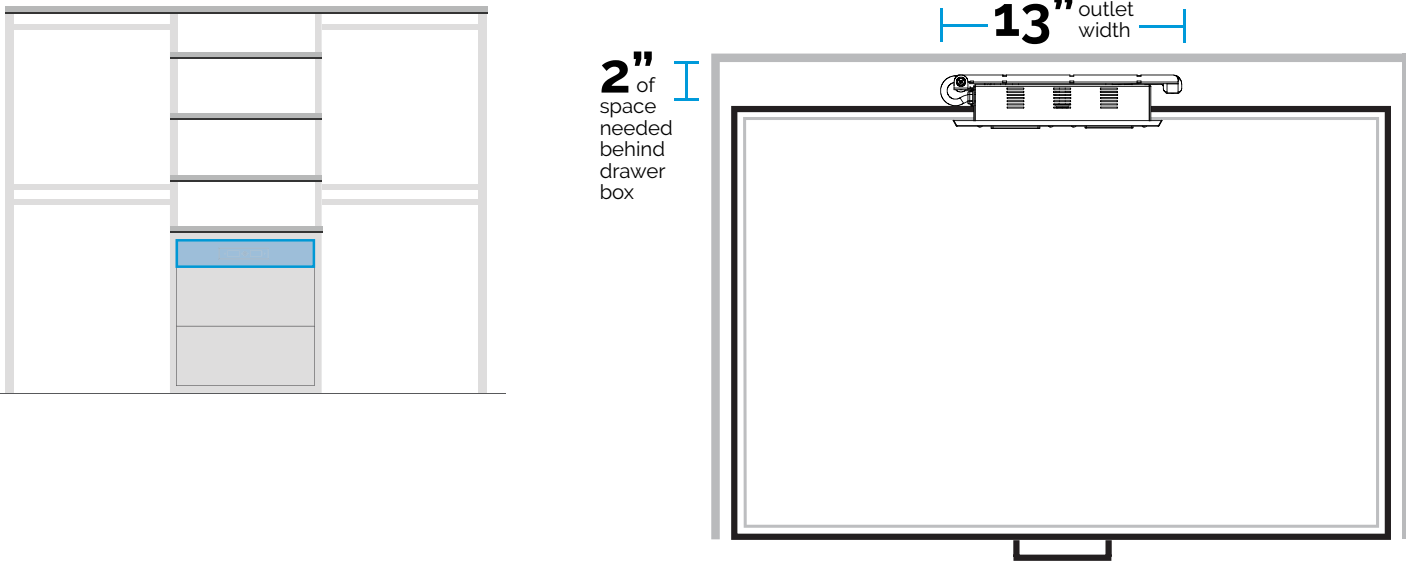
The back of the U-Shaped drawer box can be less than 13" assuming the cable management arms do not interfere with any plumbing fixtures, as seen in Option 2.

For more room applications, visit [dockingdrawer.com/project-cards](http://dockingdrawer.com/project-cards)

**Most Popular Outlet:**  
15 amp Blade In Drawer  
Outlet-1514-160

# Closets Built In Project Planning Card

Docking Drawer Blade Series outlets can be specified into built in closet drawers to create a dedicated space to charge wearable technology and other everyday devices.



2" of space needed behind drawer box

13" outlet width

**Pro Tip**  
Think beyond cell phones! Charge headphones, flashlights, reflective safety lights, pet collars and more.

Install multiple Blade Series outlets to create drawers for different purposes such as technology drawers, sports drawers, pet drawers etc.

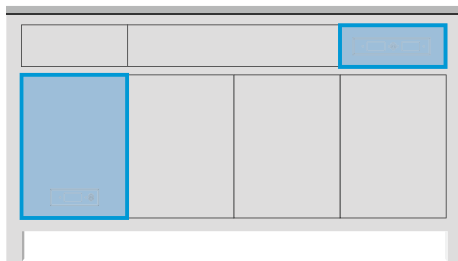
Specify a 1514-232 so your outlet has fast charging USB-C ports for your newer devices and USB-A for all of your other devices that come with USB-A cords.

For more installation examples, visit [dockingdrawer.com/project-cards](http://dockingdrawer.com/project-cards)

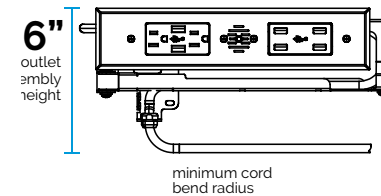
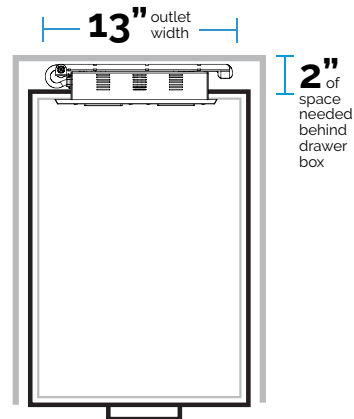
**Most Popular Outlet:**  
**15 amp Blade Duo In Drawer Outlet-1514-232**

# Offices Credenza

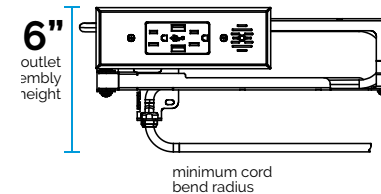
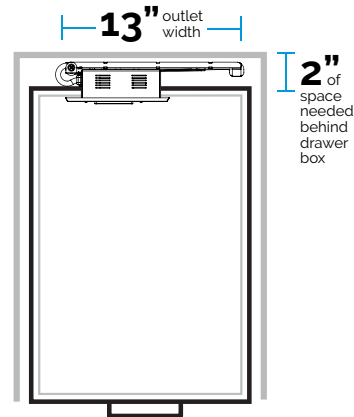
Docking Drawer Blade Series outlets can be specified into home office credenzas to create hidden charging stations and printer pull out drawers to keep accessories and equipment out of sight while still charged and at the ready.



**Option 1**  
charging drawer



**Option 2**  
printer pullout



## Pro Tips

Every Blade Series outlet can power any device in your office, from tech devices, such as phones and tablets, to laser and inkjet printers.

The Blade Series cord can bend to the side to fit in constrained credenza drawer spaces.

The illustration to the left demonstrates the minimum cord bend radius.

Blade Series outlet assembly height is 6" when the cord is bent to the side.

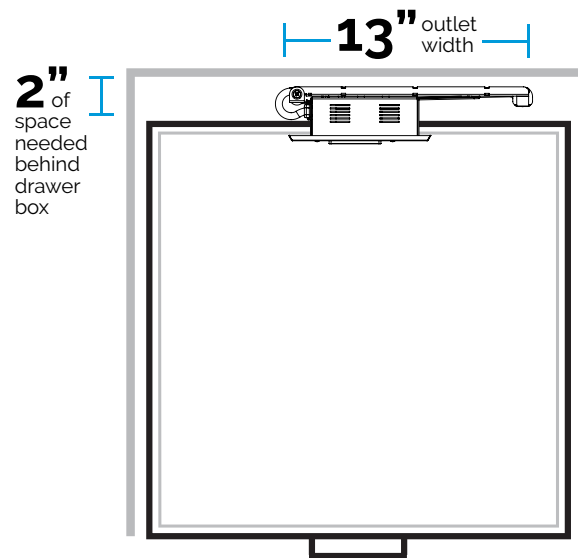
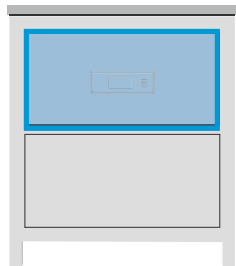
**Most Popular Outlets:**  
**15 amp Blade Duo In Drawer Outlet-1514-232**

**15 amp Blade In Drawer Outlet-1514-160**



# Bedrooms Nightstand Project Planning Card

Docking Drawer Blade Series outlets can be specified into nightstand drawers to create hidden bedside charging stations and dedicated space to stow and power CPAP machines and other accessories.



## Pro Tip

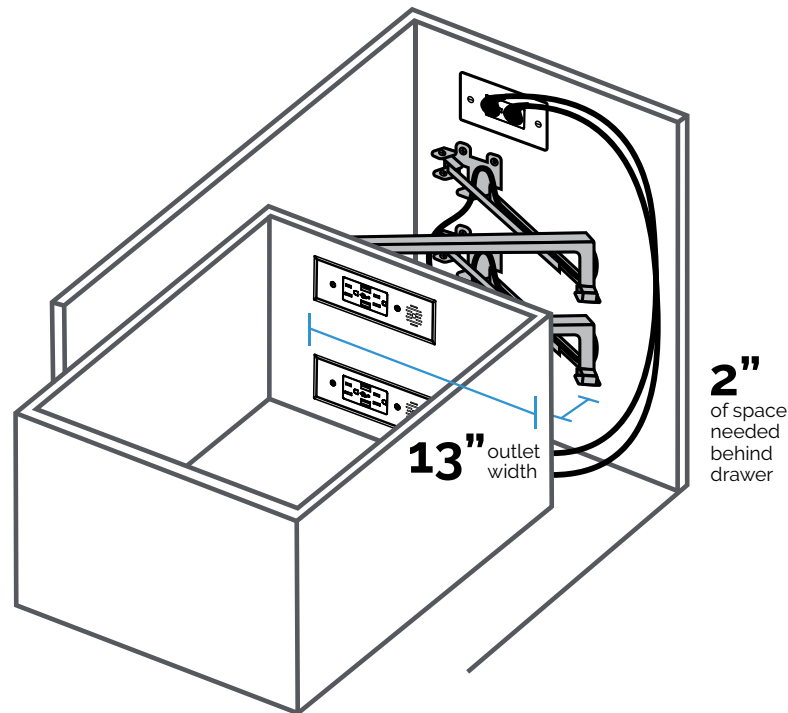
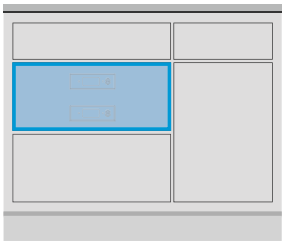
Blade Series cable management arms can be used to manage other low voltage cables such as networking and telephone cables. Make sure the cables are stranded and designed to be used in a movable location. Solid cables are not meant to be used in a movable location.

For more installation examples, visit [dockingdrawer.com/project-cards](http://dockingdrawer.com/project-cards)

**Most Popular Outlet:  
15 amp Blade In Drawer  
Outlet-1514-110**

# Mudrooms Multi-Outlet Drawer Project Planning Card

More than one Docking Drawer Blade Series outlet can be specified into tall mudroom or dropzone drawers to create a dedicated charging station and keep tech devices and cord clutter off of countertop surfaces.



## Pro Tip

In order for the drawer to open and close smoothly, you must ensure that the cable management arms for both outlets are properly aligned.

For more room applications, visit [dockingdrawer.com/project-cards](https://dockingdrawer.com/project-cards)

**Most Popular Outlet:**  
**15 amp Blade Duo In  
Drawer Outlet-1514-232**





# Specify by Part Number

39

Part Numbers - 15 amp

40

Outlet Configuration Options - 15 amp

43

20 amp Outlets

15 amp & 20 amp - How to Specify

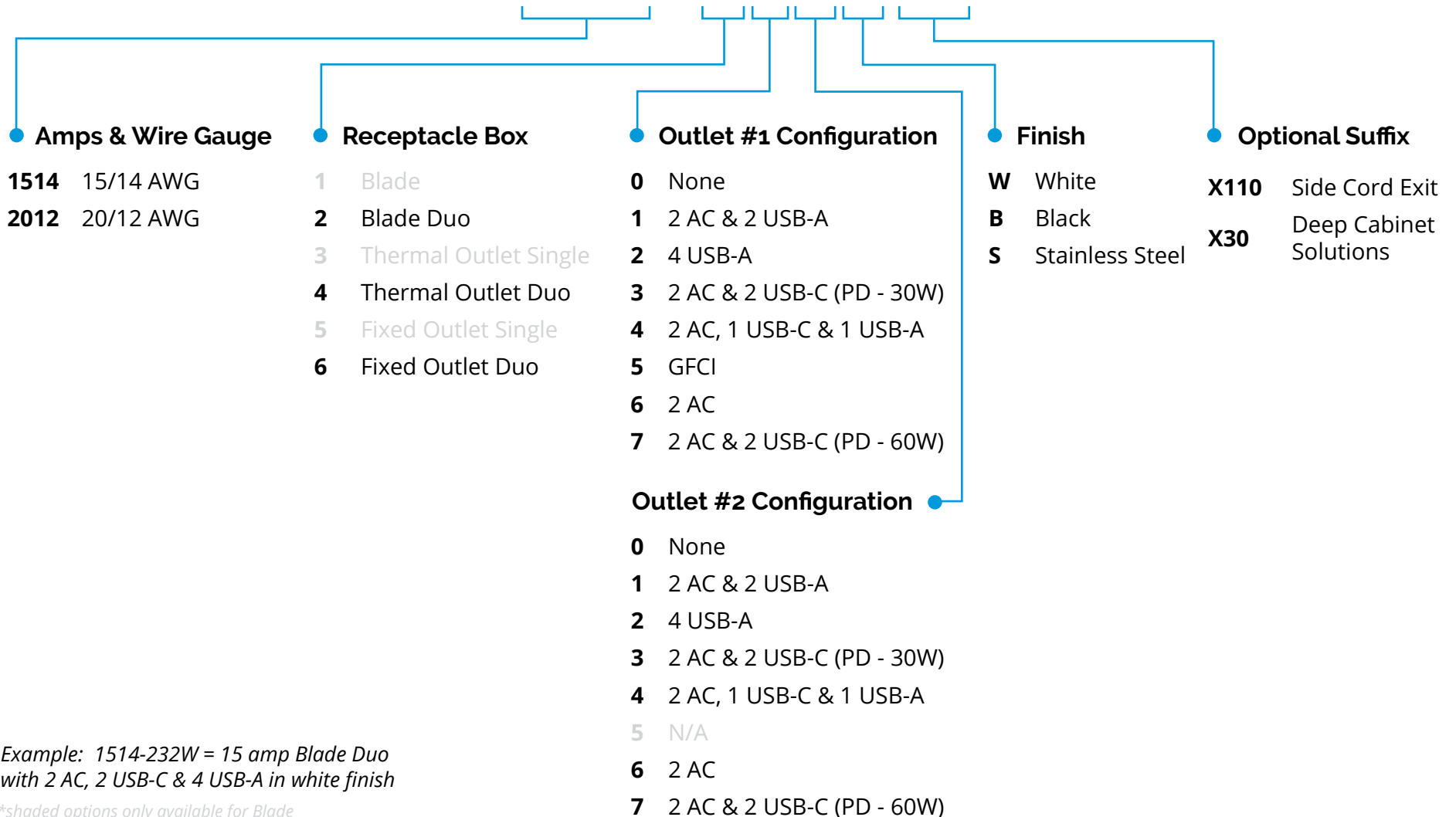
Part Numbers - 20 amp

Outlet Configuration Options - 20 amp

# Part Numbers for 15 amp Blade Series Outlets

## Docking Drawer Blade Duo

# 1514 - 2 3 2 B



Example: 1514-232W = 15 amp Blade Duo with 2 AC, 2 USB-C & 4 USB-A in white finish

\*shaded options only available for Blade

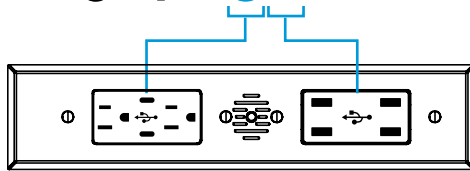


# Outlet Configuration Options for 15 amp Blade Series Outlets

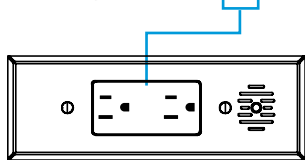
In addition to our 4 top selling outlets, we offer a variety of additional options. Mix and match configurations to create the best solution to fit the needs of your project.

## Select a Blade Duo or Blade

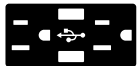






ex: **1514-232**



ex: **1514-160**



## Then, Select Any Outlet










#	Outlet Configuration	Outlet Specifications
1	 2 AC & 2 USB-A	AC: 15 amps @ 120 VAC USB-A: 3.6 amps @ 5 VDC
2	 4 USB-A	4.2 amps @ 5 VDC
3	 2 AC & 2 USB-C (PD-30 Watt)	AC: 15 amps @ 120 VAC USB-C (single port connected to PD device): 3 amps @ 9 VDC (30W) USB-C (single port connected to non-PD device): 3 amps @ 5 VDC (15W) USB-C (both ports connected): 3 amps @ 5 VDC (30W total power)
4	 2 AC 1 USB-C & 1 USB-A	AC: 15 amps @ 120 VAC USB-C (non-PD device): 3 amps @ 5 VDC (15W) USB-A: 2.4 amps @ 5 VDC
5	 2 AC - GFCI	15 amps @ 120 VAC
6	 2 AC	15 amps @ 120 VAC
7	 2 AC & 2 USB-C (PD-60 Watt)	AC: 15 amps @ 120 VAC USB-C (single port connected to PD device): 3 amps @ 20 VDC (60W) USB-C (both ports connected to PD devices): 3 amps @ 9 VDC x 2 ports (60W) USB-C (one or both ports connected to non PD device): 3 amps @ 5 VDC x 2 ports (30W)



# Part Numbers for 15 amp Blade Series Outlets (1514-2XX)

Download Tear Sheets to share project details with your team



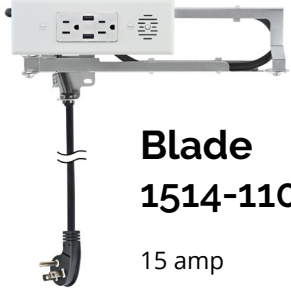
<p><b>BEST SELLER</b></p>  <p><b>Blade Duo 1514-232W</b></p> <p>15 amp</p> <ul style="list-style-type: none"> <li><input type="radio"/> 1514-232W</li> <li><input checked="" type="radio"/> 1514-232B</li> <li><input type="radio"/> 1514-232S</li> </ul> <p>2 AC, 2 USB-C (PD-30 Watt) &amp; 4 USB-A</p>	<p><b>BEST SELLER</b></p>  <p><b>Blade Duo 1514-272W</b></p> <p>15 amp</p> <ul style="list-style-type: none"> <li><input type="radio"/> 1514-272W</li> <li><input checked="" type="radio"/> 1514-272B</li> <li><input type="radio"/> 1514-272S</li> </ul> <p>2 AC, 2 USB-C (PD-60 Watt) &amp; 4 USB-A</p>	 <p><b>Blade Duo 1514-211W</b></p> <p>15 amp</p> <ul style="list-style-type: none"> <li><input type="radio"/> 1514-211W</li> <li><input checked="" type="radio"/> 1514-211B</li> <li><input type="radio"/> 1514-211S</li> </ul> <p>4 AC &amp; 4 USB-A</p>	 <p><b>Blade Duo 1514-212W</b></p> <p>15 amp</p> <ul style="list-style-type: none"> <li><input type="radio"/> 1514-212W</li> <li><input checked="" type="radio"/> 1514-212B</li> <li><input type="radio"/> 1514-212S</li> </ul> <p>2 AC &amp; 6 USB-A</p>	 <p><b>Blade Duo 1514-222W</b></p> <p>15 amp</p> <ul style="list-style-type: none"> <li><input type="radio"/> 1514-222W</li> <li><input checked="" type="radio"/> 1514-222B</li> <li><input type="radio"/> 1514-222S</li> </ul> <p>8 USB-A</p>
<p><b>BEST SELLER</b></p>  <p><b>Blade Duo 1514-266W</b></p> <p>15 amp</p> <ul style="list-style-type: none"> <li><input type="radio"/> 1514-266W</li> <li><input checked="" type="radio"/> 1514-266B</li> <li><input type="radio"/> 1514-266S</li> </ul> <p>4 AC</p>	<p><b>BEST SELLER</b></p>  <p><b>Blade Duo 1514-213W</b></p> <p>15 amp</p> <ul style="list-style-type: none"> <li><input type="radio"/> 1514-213W</li> <li><input checked="" type="radio"/> 1514-213B</li> <li><input type="radio"/> 1514-213S</li> </ul> <p>4 AC, 2 USB-A &amp; 2 USB-C (PD-30 Watt)</p>	 <p><b>Blade Duo 1514-233W</b></p> <p>15 amp</p> <ul style="list-style-type: none"> <li><input type="radio"/> 1514-233W</li> <li><input checked="" type="radio"/> 1514-233B</li> <li><input type="radio"/> 1514-233S</li> </ul> <p>4 AC &amp; 4 USB-C (PD-30 Watt)</p>	 <p><b>Blade Duo 1514-277W</b></p> <p>15 amp</p> <ul style="list-style-type: none"> <li><input type="radio"/> 1514-277W</li> <li><input checked="" type="radio"/> 1514-277B</li> <li><input type="radio"/> 1514-277S</li> </ul> <p>4 AC &amp; 4 USB-C (PD-60 Watt)</p>	

# Part Numbers for 15 amp Blade Series Outlets (1514-1X0)

[Download Tear Sheets to share project details with your team](#)



**BEST SELLER**




**Blade**  
**1514-110W**

15 amp

- 1514-110W
- 1514-110B
- 1514-110S

2 AC & 2 USB-A

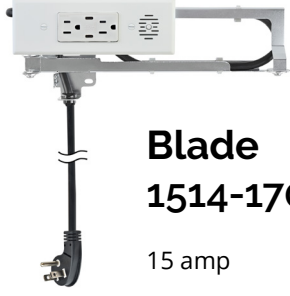


**Blade**  
**1514-130W**

15 amp

- 1514-130W
- 1514-130B
- 1514-130S

2 AC & 2 USB-C  
(PD-30 Watt)




**Blade**  
**1514-170W**

15 amp

- 1514-170W
- 1514-170B
- 1514-170S

2 AC & 2 USB-C  
(PD-60 Watt)



**Blade**  
**1514-120W**

15 amp

- 1514-120W
- 1514-120B
- 1514-120S

4 USB-A

**BEST SELLER**

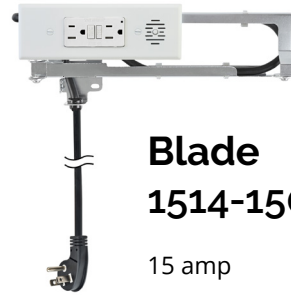


**Blade**  
**1514-160W**

15 amp

- 1514-160W
- 1514-160B
- 1514-160S

2 AC



**Blade**  
**1514-150W**

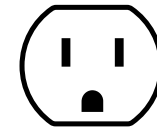
15 amp

- 1514-150W
- 1514-150B
- 1514-150S

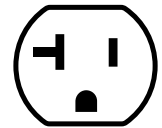
2 AC - GFCI

# 15 amp & 20 amp How to Specify

15 amp Docking Drawer Blade Series outlets are our most popular configuration. They can be plugged into any outlet and will charge and power every type of device, including hair dryers, cell phones, and more. Need 20 amp solutions? We have you covered as each 15 amp outlet has a 20 amp equivalent.



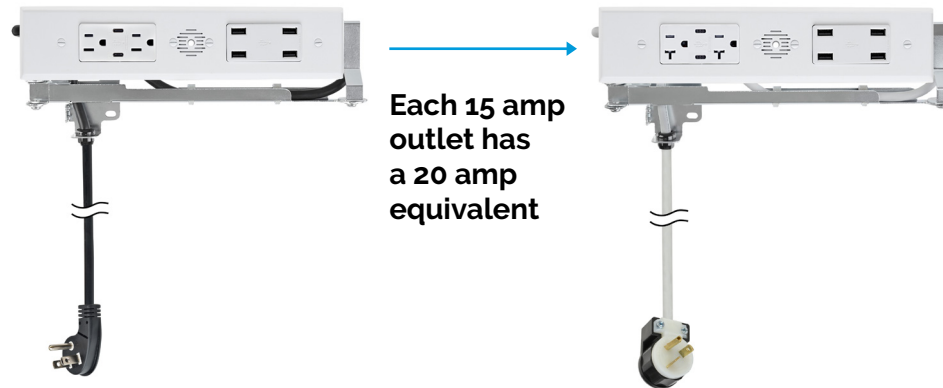
15 amp



20 amp

## Variety of Configurations

Choose from 15 amp or 20 amp outlets.



## Pro Tip

15 amp outlets will power any type of devices including hair dryers, printers, mixers and charge every type of device like cell phones, tablets, and laptops.

When in doubt whether to specify a Blade Series 15 amp or 20 amp outlet, specify a 15 amp.

15 amp plugs can be plugged into both a 15 amp and a 20 amp outlet, but a 20 amp plug can ONLY be plugged into a 20 amp outlet.

## How do you know if your project requires a 15 amp or 20 amp outlet?

### Ask Your Electrician

Your electrician can provide a definite answer on what will work for your project.

### Look at the wall receptacle

If your wall receptacle looks like this, specify a 20 amp Blade Series.

20 amp outlets have a T-Shaped prong

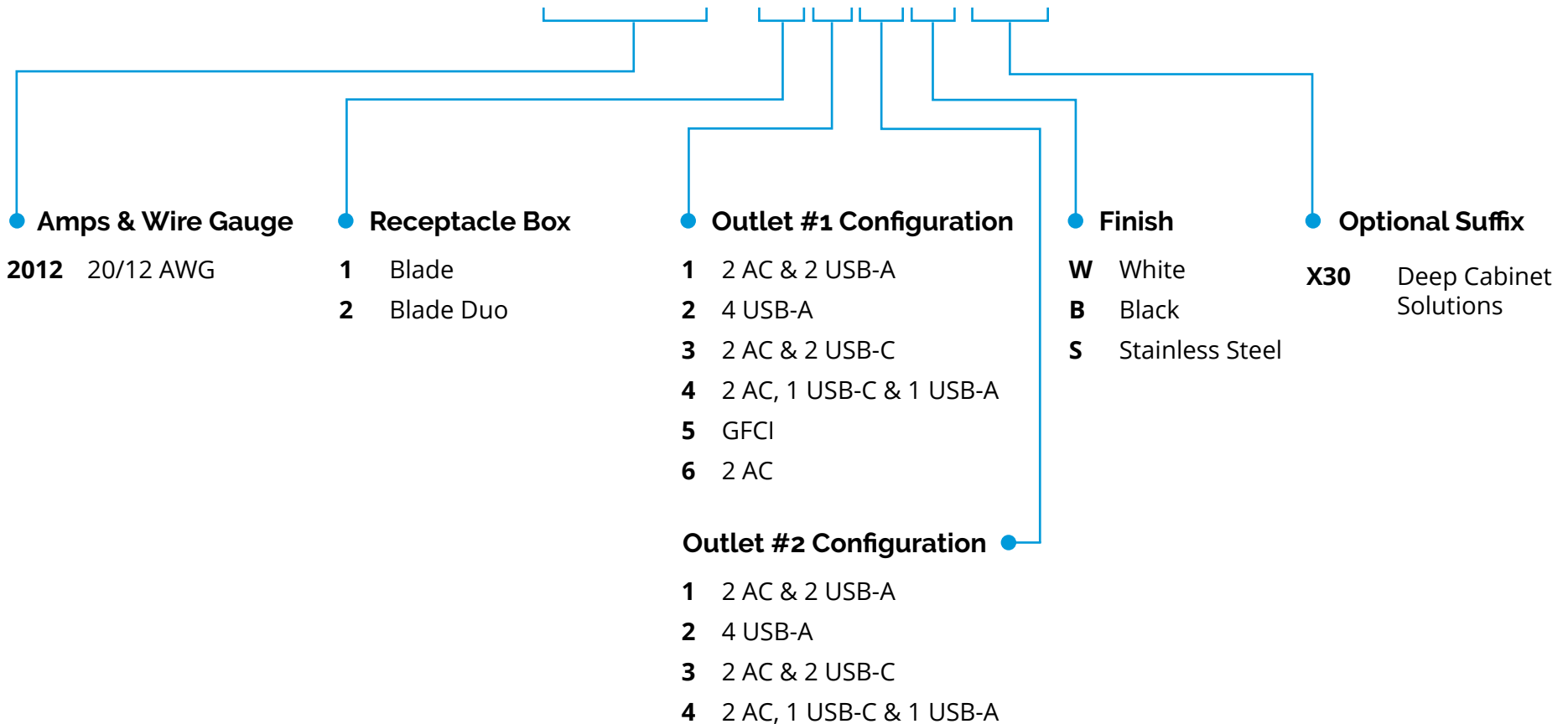


### Not sure? Specify 15 amp

15 amp Blade Series outlets can function when plugged into 15 or 20 amp wall receptacles.

# Part Numbers for 20 amp Blade Series Outlets

## 2012 - 232B



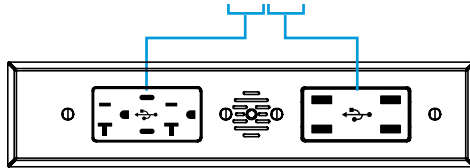
Example: 1514-110W = 15 amp Blade with 2 AC & 2 USB-A in white finish

# Outlet Configuration Options for 20 amp Blade Series Outlets

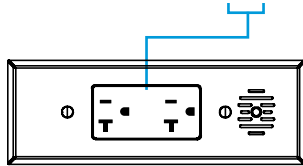
In addition to our 4 top selling outlets, we offer a variety of additional options. Mix and match configurations to create the best solution to fit the needs of your project.

## Select a Blade Duo or Blade





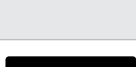

ex: **2012-232**



ex: **2012-160**



## Then, Select Any Outlet


#	Outlet Configuration	Outlet Specifications
1	 2 AC & 2 USB-A	AC: 20 amps @ 120 VAC USB-A: 3.6 amps @ 5 VDC
2	 4 USB-A	4.2 amps @ 5 VDC
3	 2 AC & 2 USB-C	AC: 20 amps @ 120 VAC USB-C (single port connected to PD device): 3 amps @ 9 VDC (30W) USB-C (single port connected to non-PD device): 3 amps @ 5 VDC (15W) USB-C (both ports connected): 3 amps @ 5 VDC (30W total power)
4	 2 AC 1 USB-C & 1 USB-A	AC: 20 amps @ 120 VAC USB-C (non-PD device): 3 amps @ 5 VDC (15W) USB-A: 2.4 amps @ 5 VDC
5	 2 AC - GFCI	20 amps @ 120 VAC
6	 2 AC	20 amps @ 120 VAC

# Part Numbers for 20 amp Blade Series Outlets (2012-2XX)

Download Tear Sheets to share project details with your team



**BEST SELLER**




**Blade Duo  
2012-232W**

20 amp

- 2012-232W
- 2012-232B
- 2012-232S

2 AC, 2 USB-C (PD)  
& 4 USB-A




**Blade Duo  
2012-212W**

20 amp

- 2012-212W
- 2012-212B
- 2012-212S

2 AC & 6 USB-A



**Blade Duo  
2012-266W**

20 amp

- 2012-266W
- 2012-266B
- 2012-266S

4 AC




**Blade Duo  
2012-261W**

20 amp

- 2012-261W
- 2012-261B
- 2012-261S

4 AC & 2 USB-A




**Blade Duo  
2012-211W**

20 amp

- 2012-211W
- 2012-211B
- 2012-211S

4 AC & 4 USB-A



**Blade Duo  
2012-233W**

20 amp

- 2012-233W
- 2012-233B
- 2012-233S

4 AC & 4 USB-C (PD)



# Part Numbers for 20 amp Blade Series Outlets (2012-1X0)

[Download Tear Sheets to share project details with your team](#)



**BEST SELLER**



**Blade  
2012-160W**

20 amp

- 2012-160W
- 2012-160B
- 2012-160S

2 AC



**Blade  
2012-150W**

20 amp

- 2012-150W
- 2012-150B
- 2012-150S

2 AC - GFCI



**Blade  
2012-130W**

20 amp

- 2012-130W
- 2012-130B
- 2012-130S

2 AC & 2 USB-C (PD)



**Blade  
2012-110W**

20 amp

- 2012-110W
- 2012-110B
- 2012-110S

2 AC & 2 USB-A

# Additional Outlet Options

- 49 Docking Drawer Canisters
- 52 Safety Interlock Outlets
- 55 Deep Cabinet Outlets
  - Outlet Dimensions of a Blade Duo Deep Cabinet
  - Outlet Dimensions of a Blade Deep Cabinet
- 58 10' Cord Solutions
- 59 Power Up Your Showroom with Showroom Mockups



# Docking Drawer Canisters

Create the perfect styling station with Docking Drawer Canisters, featuring a variety of sizes to fit any blow dryer, hair straightener or curling iron. These hot tool holders are made to fit vanity organizers and safely store hot appliances even while they are in use.



## Pro Tip

Download DXF, STEP and Solidworks files to import into your project planning software at [dockingdrawer.com/downloads](https://dockingdrawer.com/downloads).



# Part Numbers for Stainless Steel Docking Drawer Canisters

[Download Tear Sheets to share project details with your team](#)



**BEST SELLER**



**3" Canister**  
**0024-00503**

Height to Lip: 4.52" (115mm)  
Diameter: 3.00" (76mm)  
Capped Bottom

**BEST SELLER**



**2" Canister**  
**0024-00502**

Height to Lip: 4.54" (115mm)  
Diameter: 2.00" (51mm)  
Capped Bottom



**5" Canister**  
**0024-00005S**

Height to Lip: 6.40" (162mm)  
Diameter: 4.84" (123mm)  
Closed Bottom

# Part Numbers for Chrome Docking Drawer Canisters

[Download Tear Sheets to share project details with your team](#)



**3" Canister**  
**0024-00010S**

Height to Lip: 2.85" (72mm)  
Diameter: 3.00" (76mm)  
Open Bottom



**2" Canister**  
**0024-00020S**

Height to Lip: 4.83" (123mm)  
Diameter: 2.00" (51mm)  
Open Bottom



**1.5" Canister**  
**0024-00030S**

Height to Lip: 4.89" (124mm)  
Diameter: 1.50" (38mm)  
Open Bottom



**2" Canister**  
**0024-00020CR**

Height to Lip: 5.50" (140mm)  
Diameter: 2.00" (51mm)  
Crimped Bottom



**1.5" Canister**  
**0024-00030CR**

Height to Lip: 5.50" (140mm)  
Diameter: 1.50" (38mm)  
Crimped Bottom

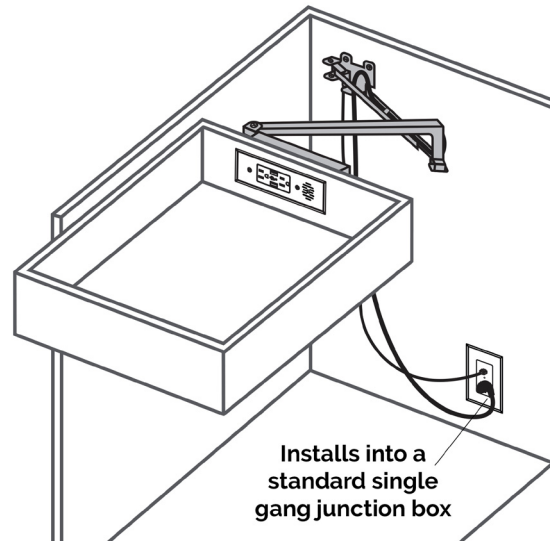
# Safety Interlock Outlet with Blade Limit Switch

15 amp Safety Interlock Outlet is a single gang electrical outlet featuring one NEMA 5-15 receptacle and one interlock switch connector. The Blade Series Limit Switch mounts to any 15 amp Docking Drawer Blade Series outlet to detect the drawer position and will de-energize the outlet when the drawer starts to close. All Docking Drawer Blade Series Outlets are listed to UL 962a and CSA 22.2 #21, and the Safety Interlock Outlet with Blade Limit Switch is listed to UL 498 and CSA 22.2 #42. The Authorities Having Jurisdiction (AHJ) has the final say on whether an installation meets the requirements of the Canadian Electrical Code.

## Safety Interlock Outlet



## Blade Limit Switch



### Pro Tip

Most often used in bathroom vanities, kitchen appliance garages and Canadian installations.

### Need an Installation Manual?

Download now at [dockingdrawer.com/downloads](https://dockingdrawer.com/downloads)

### Need Electrical Listings?

Download now at [dockingdrawer.com/downloads](https://dockingdrawer.com/downloads)



# Safety Interlock Outlet with General Purpose Limit Switch

15 amp Safety Interlock Outlet is a single gang electrical outlet featuring one NEMA 5-15 receptacle and one interlock switch connector. General Purpose Limit Switch mounts inside of enclosed spaces and detects when the door is closed and de-energizes the outlet. The Safety Interlock Outlet with General Purpose Limit Switch is listed to UL 498 and CSA 22.2 #42. The Authorities Having Jurisdiction (AHJ) has the final say on whether an installation meets the requirements of the Canadian Electrical Code.

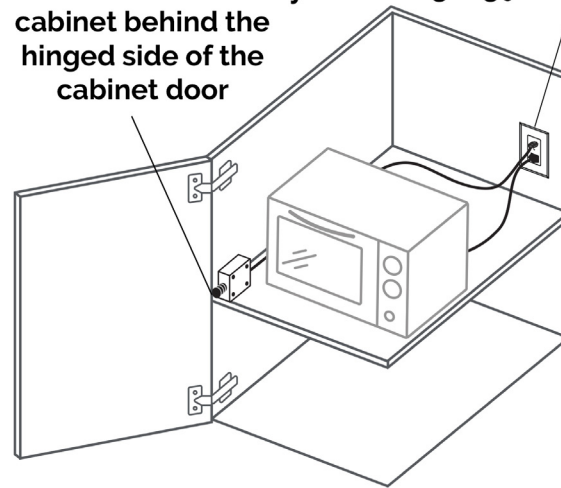
## Safety Interlock Outlet



## General Purpose Limit Switch

General Purpose Limit Switch can install in any cabinet behind the hinged side of the cabinet door

Safety Interlock Outlet fits into a standard single gang junction box



## Pro Tip

Most often used in kitchen appliance garages and Canadian installations.

## Need an Installation Manual?

Download now at [dockingdrawer.com/downloads](http://dockingdrawer.com/downloads)

## Need Electrical Listings?

Download now at [dockingdrawer.com/downloads](http://dockingdrawer.com/downloads)





# Part Numbers for Safety Interlock Outlet

**BEST SELLER**



**Safety Interlock Outlet  
with Blade  
Limit Switch  
6015-1000W**



**Safety Interlock Outlet  
with General Purpose  
Limit Switch  
6015-2000W**



**Safety Interlock Outlet  
with Remote Thermostat  
Limit Switch  
6015-3000W**

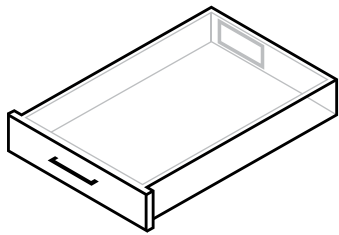


**Safety Interlock Outlet  
with Smoke Detector  
Limit Switch  
6015-4000W**

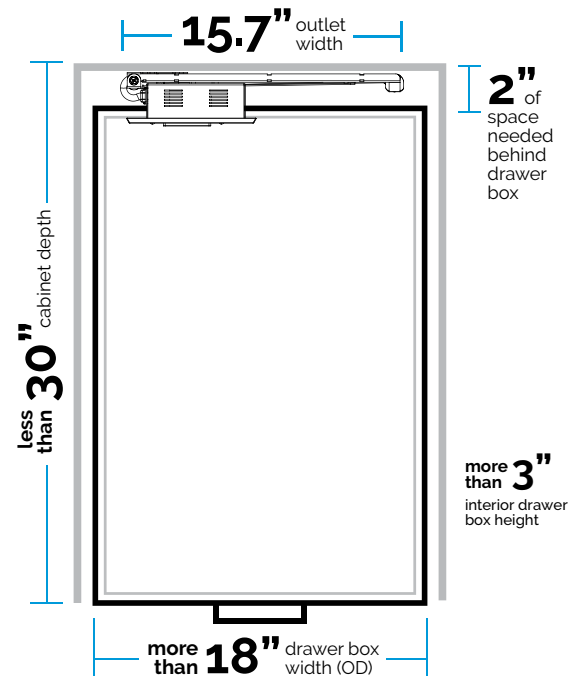
# Deep Cabinet Outlets

Docking Drawer Blade Series Deep Cabinet outlets are perfect for kitchen islands and base cabinet depths between 24" and 30" deep. While the standard Blade Series outlets have a maximum cabinet depth of 24", Blade Series Deep Cabinet outlets have longer cable management arms for increased extension.

## Deep Cabinet Outlets



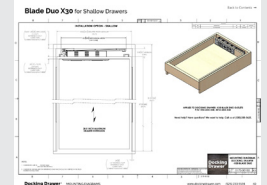
Outlet Width	15.7"
Minimum Drawer Box Width (Outer Dimension)	18" or more
Minimum Interior Drawer Box Height	3" or more
Minimum Space Behind Drawer Box	2" or more
Maximum Base Cabinet Depth	30" or less



### Pro Tip

Perfect for kitchen islands, printer drawers & for base cabinet depths between 24" & 30".

### Download Mounting Diagrams →

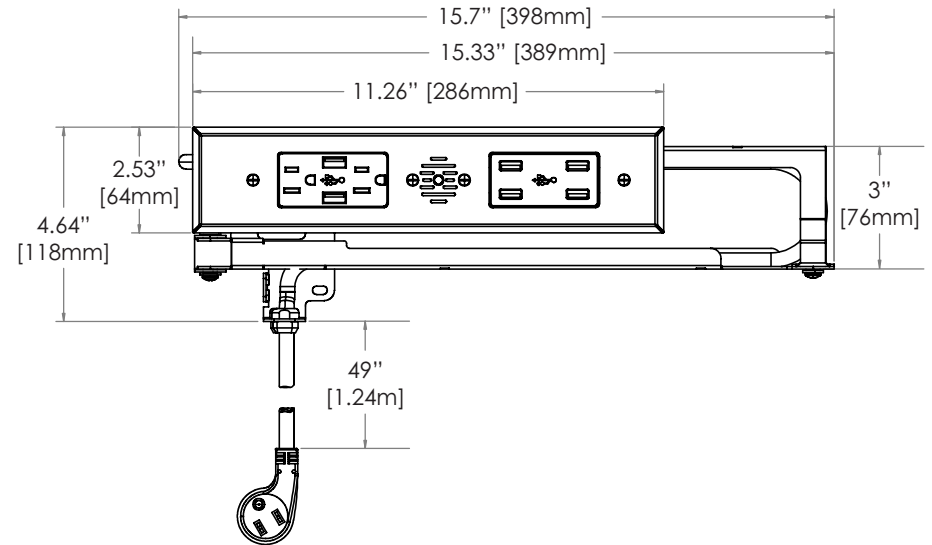


**Most Popular Outlet:**  
15 amp Blade In  
Drawer Deep Cabinet  
Outlet-1514-110-X30

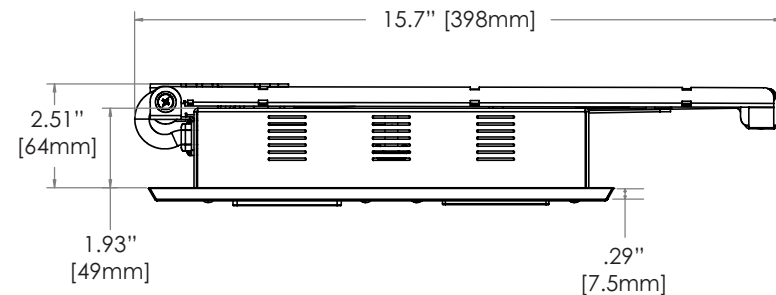
# Outlet Dimensions of a Blade Duo Deep Cabinet In Drawer Outlet

Outlet Width	15.7" (398mm)
Outlet Height	4.64" (118mm)
Outlet Depth	2.51" (64mm)
Receptacle Box Depth	1.93" (49mm)
Cover Plate Height	2.53" (64mm)
Cover Plate Width	11.26" (286mm)
Cover Plate Thickness	.29" (7.5mm)
Cable Management Arms Height	3" (76mm)
Cord Length (15 amp)	49" (1.24m)
Cord Length (20 amp)	31" (.79m)

**Front View**



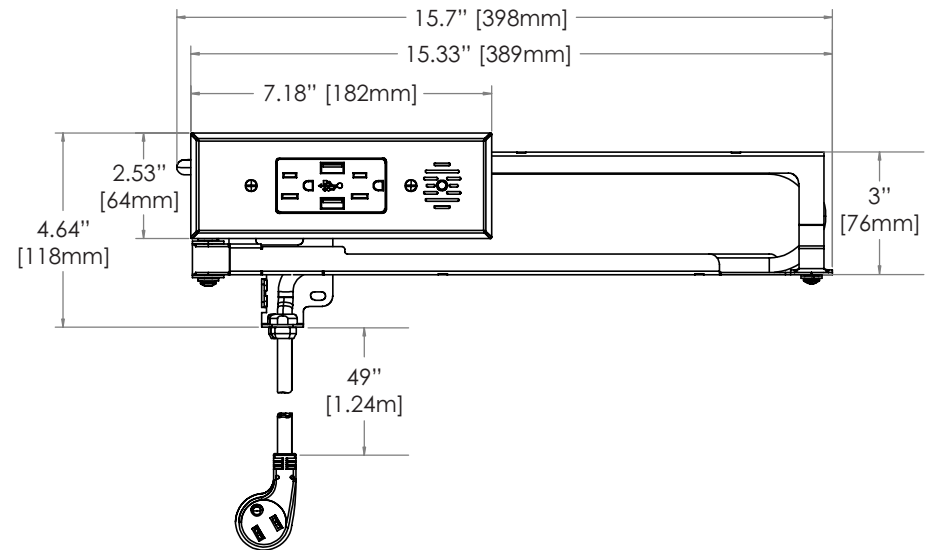
**Top View**



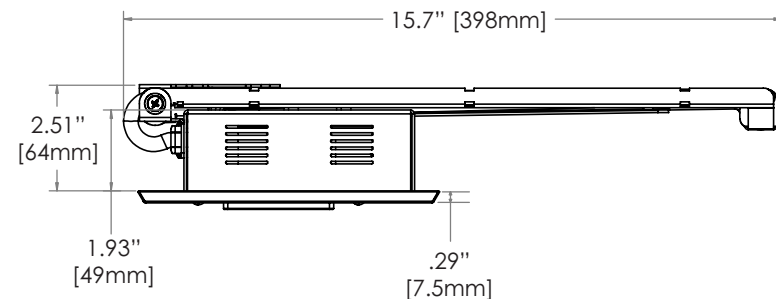
# Outlet Dimensions of a Blade Deep Cabinet In Drawer Outlet

Outlet Width	15.7" (398mm)
Outlet Height	4.64" (118mm)
Outlet Depth	2.51" (64mm)
Receptacle Box Depth	1.93" (49mm)
Cover Plate Height	2.53" (64mm)
Cover Plate Width	7.18" (182mm)
Cover Plate Thickness	.29" (7.5mm)
Cable Management Arms Height	3" (76mm)
Cord Length (15 amp)	49" (1.24m)
Cord Length (20 amp)	31" (.79m)

**Front View**



**Top View**

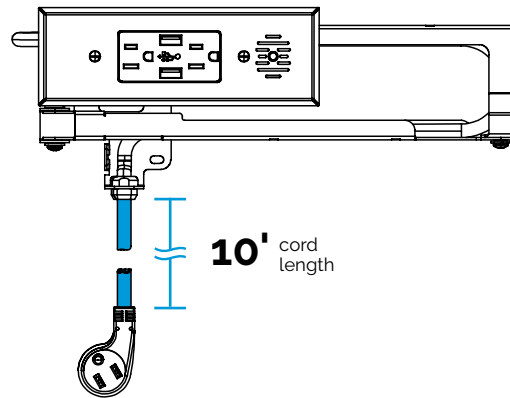


# 10' Cord Solutions

The standard cord length for 15 amp Blade Series outlets is 4.5', but longer 10' cord lengths are available. 15 amp Docking Drawer Blade Series outlets with 10' cords are perfect for furniture applications where available wall outlets may be further away or in inconvenient spots hidden by larger furniture pieces.

## Cord Length - 15 amp

Blade Duo and Blade 1514-XXX-X10 in drawer outlets feature a 10' long cord.



### Pro Tip

Guide the 10ft Blade Series cord along the legs of furniture pieces to maintain a clutter free aesthetic.

**Most Popular Outlet:  
15 amp Blade Duo In  
Drawer Deep Cabinet  
Outlet-1514-232-X10**

# Power Up Your Showroom with Showroom Mockups

Easily display Docking Drawer Blade Series outlets in any showroom in minutes with a non-functioning mockup outlet kit. Increase your project order value by providing customers a way to visualize in-drawer outlets in their projects.

## Mockup outlet kits include:

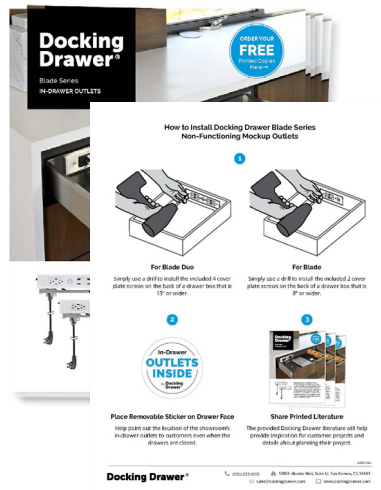
choice of 4 finishes



mounting screws



printed literature



removable sticker for the drawer face



## Get Your Money Back

Purchase a Mockup outlet and get your money back in a store credit when you submit photos to our marketing team of your showroom featuring our outlets.

[Learn More](#) →





# Planning Resources

- 61 Tear Sheets
- 62 DXF, STEP and Solidwork Files
- Mounting Diagrams
- 63 Electrical Planning Guide
- 67 Electrical Certifications





# Planning Resources Tear Sheets

Docking Drawer provides all of the necessary resources to plan a Blade Series outlet installation. [Simply click this link to download now.](#)

## Tear Sheets

Download PDF Tear Sheets to easily share product summaries with your team.



## Pro Tip

Tear Sheets are available to download for every outlet at [dockingdrawer.com/downloads](https://dockingdrawer.com/downloads)

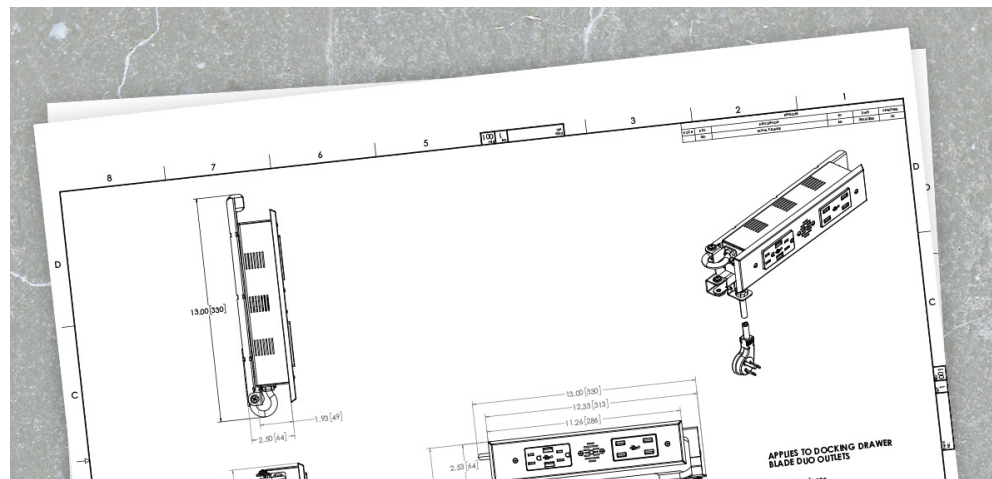
# Planning Resources DXF and STEP Files & Mounting Diagrams

Docking Drawer provides all of the necessary resources to plan a Blade Series outlet installation.

[Simply click this link to download now.](#)

## DXF, STEP and Solidwork Files

Download DXF (2D), STEP (3D), SLDDRW and SLDPRT (Solidwork) files to import into planning programs.

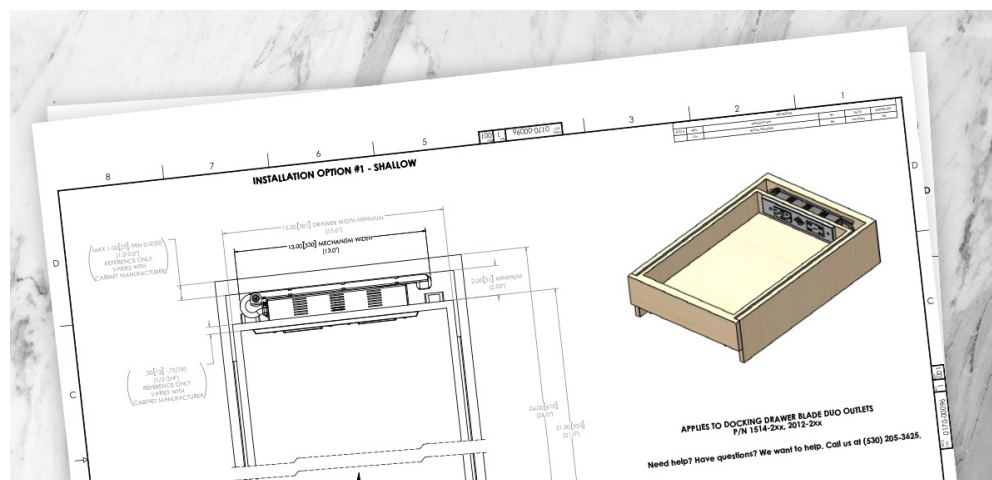


### Pro Tip

DXF, STEP and Solidwork files are available to download at [dockingdrawer.com/downloads](https://dockingdrawer.com/downloads)

## Mounting Diagrams

Detailed engineering diagrams showing cabinet specifications and how to mount the outlet into the cabinet.



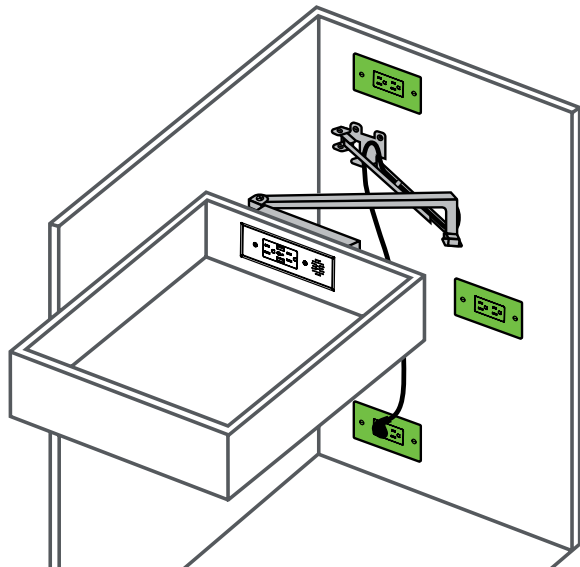
### Pro Tip

Mounting Diagrams are available to download at [dockingdrawer.com/downloads](https://dockingdrawer.com/downloads)

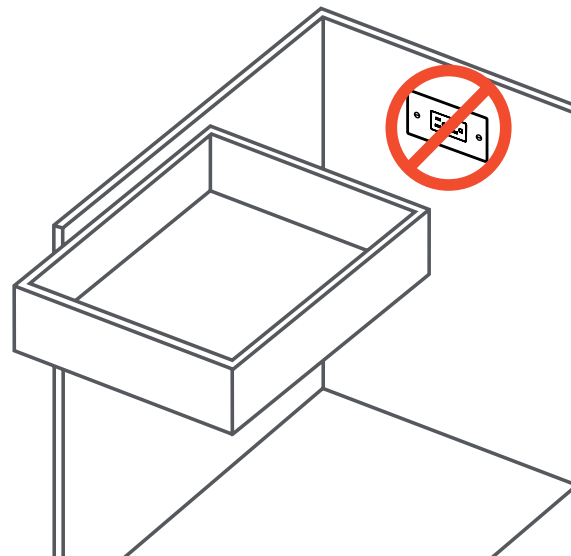
# Electrical Planning Locating In-Cabinet Power

Locating in-cabinet power is simple. The in-cabinet outlet needs to be within 4.5 feet of the Blade Series 1514-XXX outlet rear mounting bracket and within 3 feet of the Blade Series 2012-XXX outlet rear mounting bracket.

## Recommended Locations for the In-Cabinet Electrical Supply



## Where NOT to Locate the In-Cabinet Electrical Supply



## Need GFCI?

Simply plug any Blade Series outlet into a GFCI outlet or circuit to give the Docking Drawer Blade Series outlet GFCI properties.

Prefer the Docking Drawer Blade series outlet to include a GFCI outlet? Specify a 1514-150 or 2012-150.

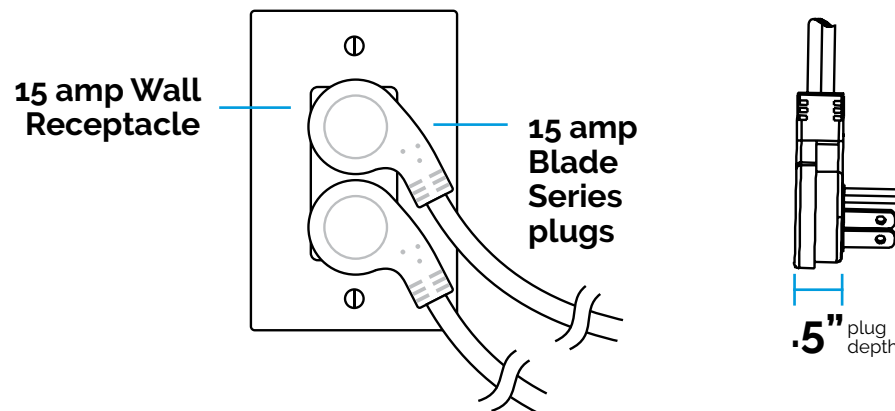
\*Items marked in green are not included

# Electrical Planning Connecting Blade Series Outlets to In-Cabinet Power

The 15 amp Blade Series outlet design ensures that customers can utilize the maximum number of wall receptacles without interference. The slim plug design uses minimal space behind the drawer and sits at a 45 degree angle so as to not block the other receptacle.

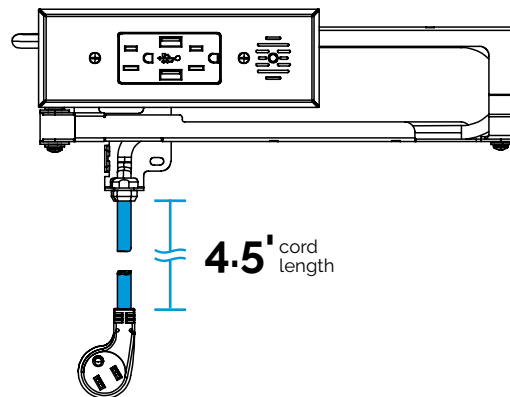
## Blade Series Plug Design - 15 amp

Features a slim design to use minimal space behind the drawer box and ensures both wall receptacles can be utilized.



## Cord Length - 15 amp

Blade Duo and Blade 1514-XXX in drawer outlets feature a 4.5' long cord.



## Need Electrical Listings?

Download detailed electrical listing reports at [dockingdrawer.com/downloads](http://dockingdrawer.com/downloads)

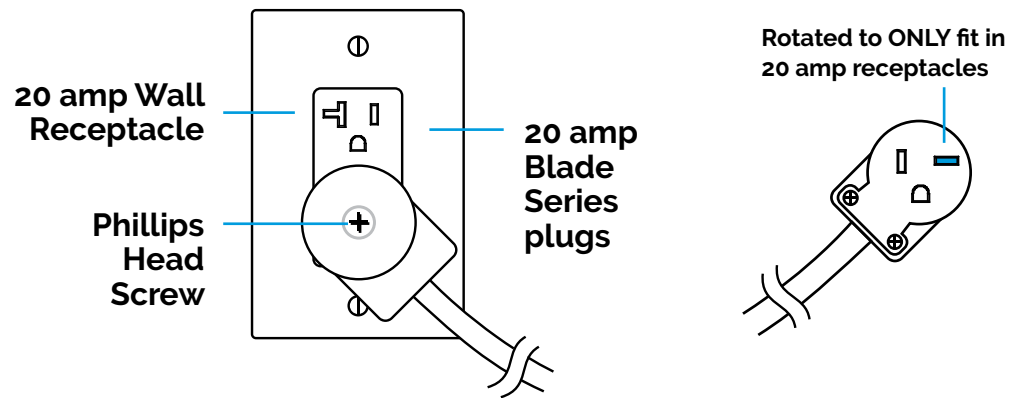
**Most Popular Outlet:**  
15 amp Blade Duo In Drawer Outlet-1514-232

# Electrical Planning Connecting Blade Series Outlets to In-Cabinet Power

The 20 amp Blade Series outlet design features a rotated prong that ONLY fits in 20 amp wall receptacles. 20 amp plugs can be rotated at a 45 or 90 degree angle for added flexibility.

## Blade Series Plug Design - 20 amp

Features a rotated prong that ONLY fits in 20 amp receptacles.



## Need Electrical Listings?

Download detailed electrical listing reports at [dockingdrawer.com/downloads](http://dockingdrawer.com/downloads)

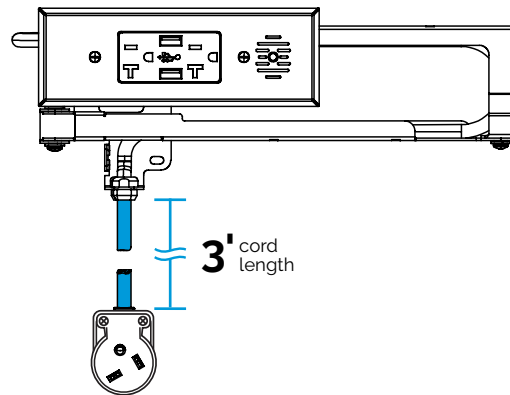
## Pro Tip

The 20 amp plug comes set at a 45 degree angle. Loosen the center screw and rotate the plug to set at a 90 degree angle.

Two 20 amp Blade Series plugs cannot fit into a wall receptacle at the same time.

## Cord Length - 20 amp

Blade Duo and Blade 2012-XXX in-drawer outlets feature a 3' long cord.

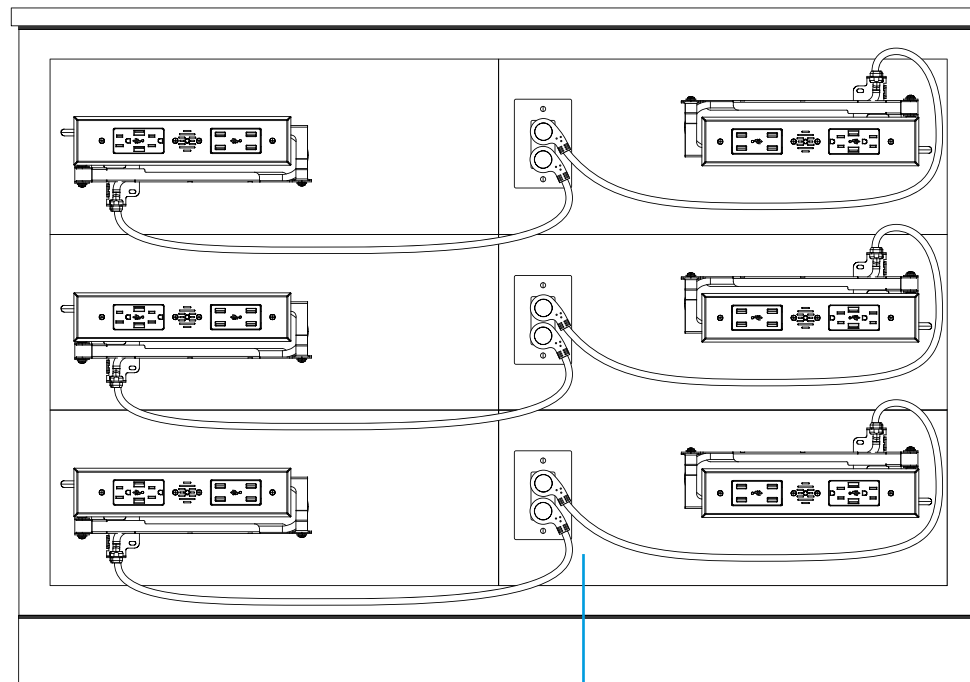
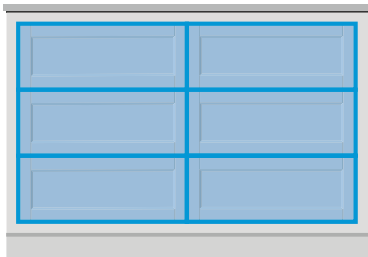


**Most Popular Outlet:**  
20 amp Blade In Drawer Outlet-2012-160

# Electrical Planning for Multiple Blade Series Outlets in a Single Cabinet

Multiple Blade Series outlets can be installed into a single bank of cabinet drawers. Here are some tips on where to place the wall receptacles.

## 15 amp Multi Outlet Installation



Only applicable for  
15 amp outlets

The smart design of Blade Series plugs allow the maximum number of receptacles to be used while taking up as little space as possible behind the drawer box. The power cord is ultra flexible for easy positioning and safety.

**Most Popular Outlet:**  
15 amp Blade Duo In  
Drawer Outlet-1514-232



# Planning Resources Electrical Certifications

Docking Drawer provides all of the necessary resources to plan a Blade Series outlet installation.

[Simply click this link to download now.](#)

## Electrical Certifications

Download ETL and CSA Electrical Certifications to share with your electrician or inspector.



## Pro Tip

Electrical Certifications are available for download at [dockingdrawer.com/downloads](https://dockingdrawer.com/downloads)



# Installation Resources

69

Installation Manuals  
Cutout Templates



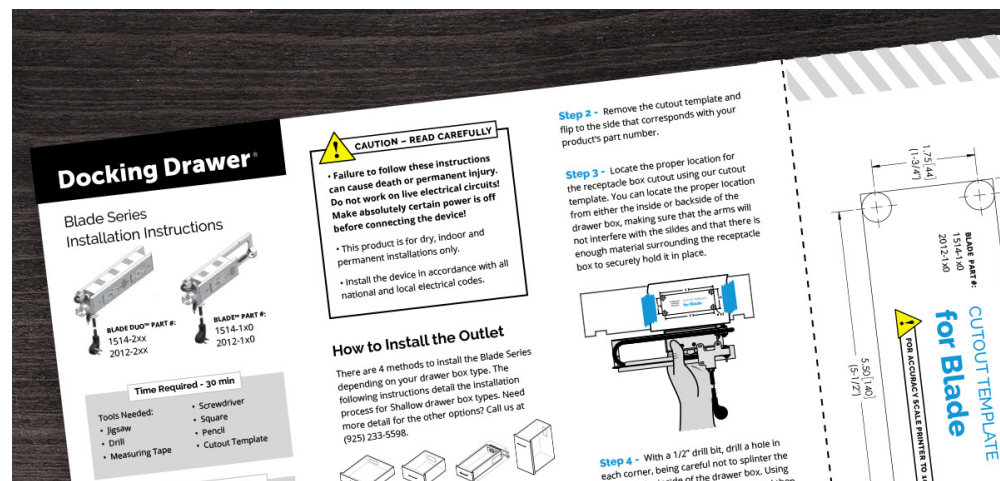


# Installation Resources for Blade Series In-Drawer Outlets

Docking Drawer provides all of the resources you need for a smooth Blade Series in-drawer outlet installation. [Simply click this link to download now.](#)

## Installation Manuals

Step by step instructions for installing Blade Series in-drawer outlets.

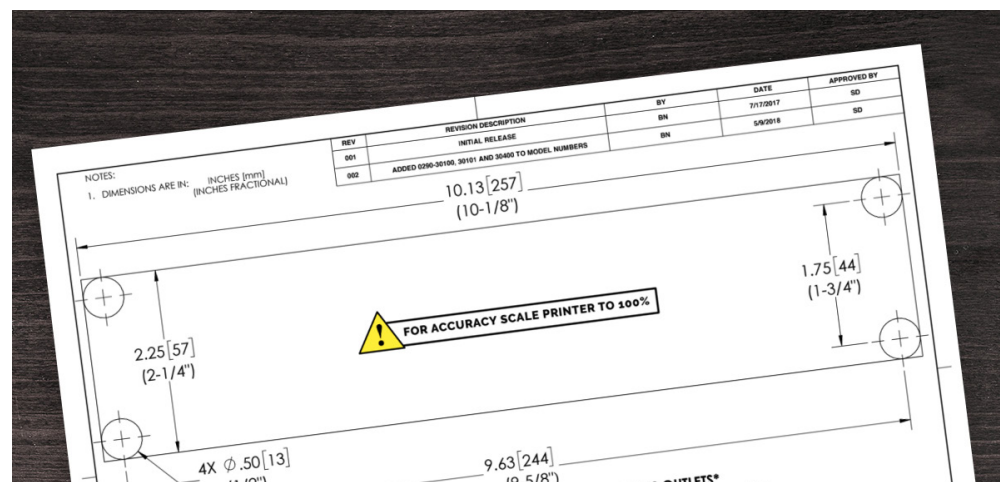


## Pro Tip

Installation Manuals are available to download at [dockingdrawer.com/downloads](http://dockingdrawer.com/downloads)

## Cutout Templates

Printable PDF templates to guide your receptacle box cutout placement.



## Pro Tip

Cutout Templates are available to download at [dockingdrawer.com/downloads](http://dockingdrawer.com/downloads)

## Ready to Order?

Buy directly from [dockingdrawer.com](http://dockingdrawer.com) or call your hardware/electrical distributor.

## We're Here to Help

[sales@dockingdrawer.com](mailto:sales@dockingdrawer.com)

Email us here for help with your sales questions, help with selecting the right outlet or to request any catalogs.

[orders@dockingdrawer.com](mailto:orders@dockingdrawer.com)

Email us here with your purchase orders.

[support@dockingdrawer.com](mailto:support@dockingdrawer.com)

Email us here for help with your technical and project planning questions or with any other specification questions.

**Docking Drawer**®



**ORDER**  
YOUR  
SHOWROOM  
KIT HERE →